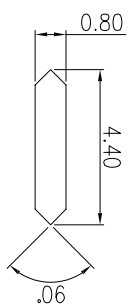
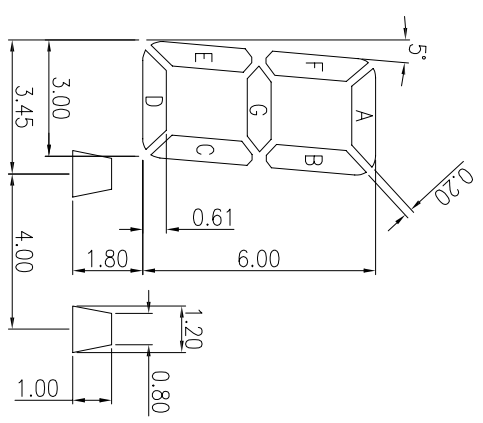
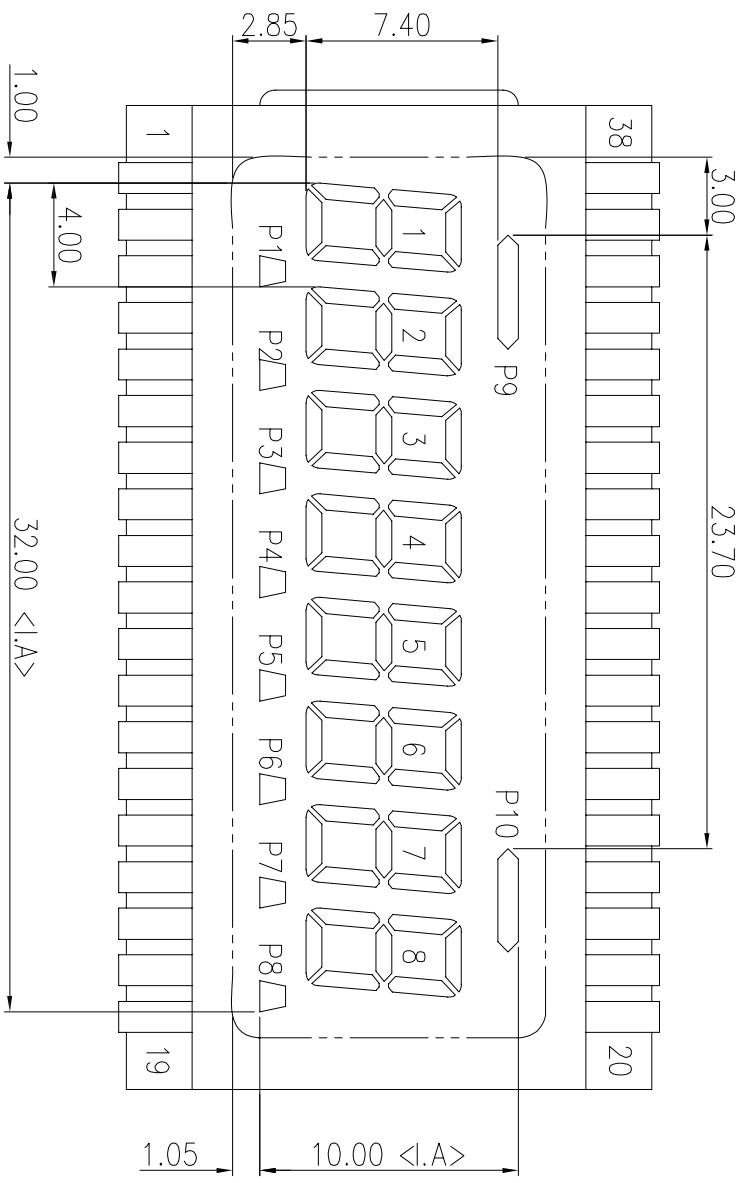


The information disclosed herein was originated by and is the property of Denstiron Corporation. Denstiron Corporation reserves all patent, proprietary, design, use, sale, manufacturing and reproduction rights thereto.

REVISONS		DATE	APPROVED
REV.	DESCRIPTIONS		
-	Release on Ecn# 1091	11/15/00	MA
A	Released on Ecn #E3275	10/19/06	RM



COM1	1	2	3	4	5	6	7	8	9	10	11	12	13	14	15	16	17	18	19
COM1	.	1G	1C	2G	2C	3G	3C	4G	4C	5G	5C	6G	6C	7G	7C	8G	8C	.	COM1
COM2	1E	1D	2E	2D	3E	3D	4E	4D	5E	5D	6E	6D	7E	7D	8E	8D	COM2	.	COM2
COM1	20	21	22	23	24	25	26	27	28	29	30	31	32	33	34	35	36	37	38
COM1	8B	8A	P10	7B	7A	6B	6A	5B	5A	4B	4A	3B	3A	2B	2A	P9	1B	1A	COM1
COM2	P8	8F	.	P7	7F	P6	6F	P5	5F	P4	4F	P3	3F	P2	2F	.	P1	1F	.

ORDERING INFORMATION

DG-067-XZ-x x = P (Pin) or Z (Zebra)

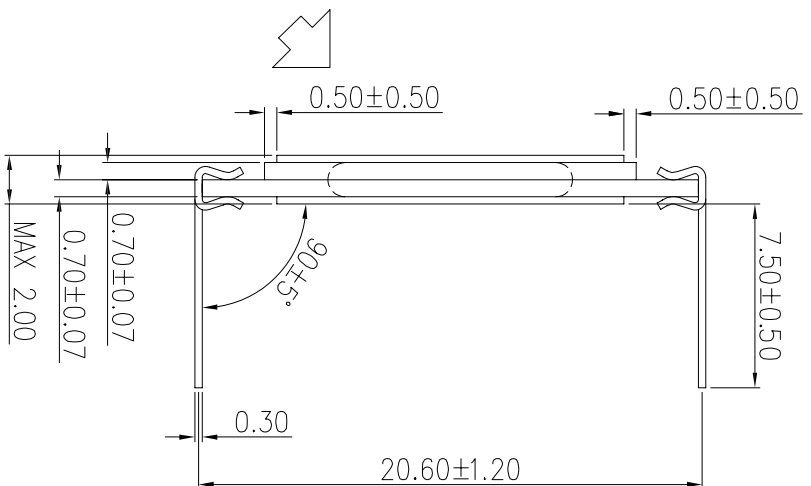
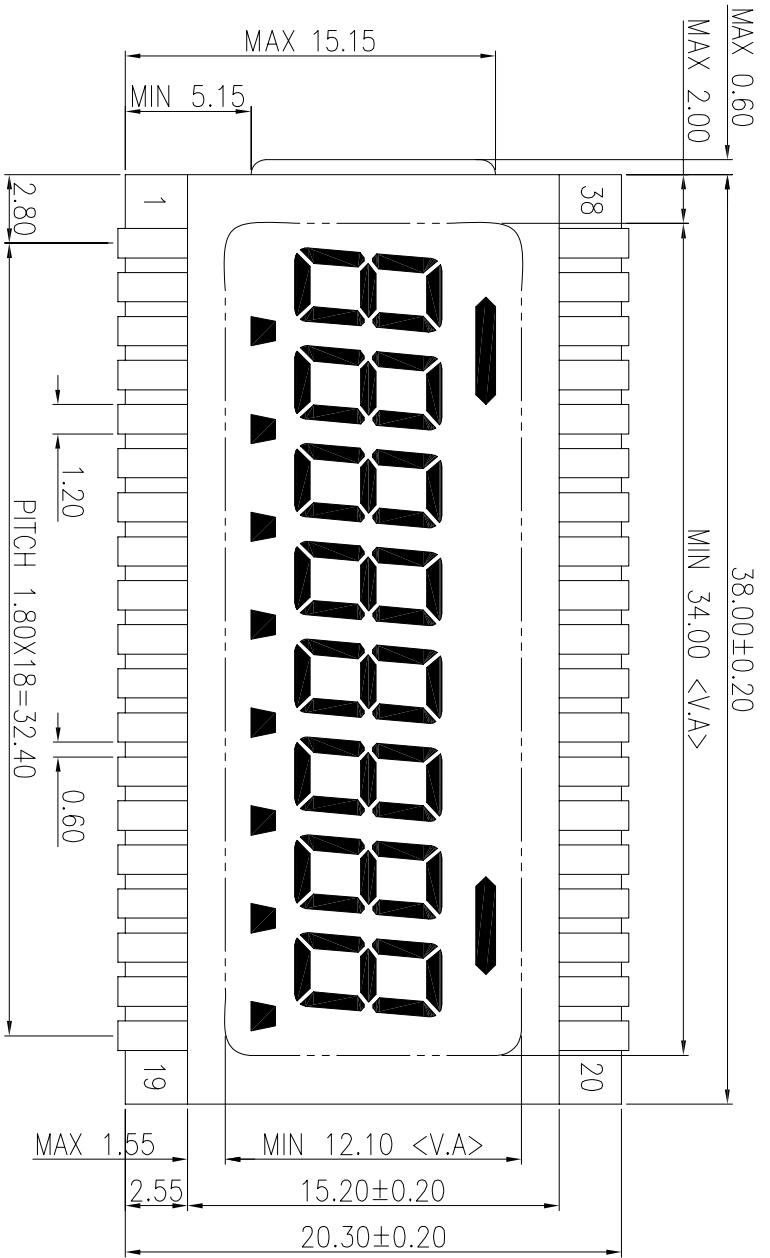
Replace the "X" in the above part number with "R" for Reflective polarizer, "B" for Transflective Polarizer, or "F" for Transmissive Polarizer.

Unless Otherwise Specified	APPROVALS	
Unit mm	DRAWN:	CHECKED:
Projection		
Tolerance		
Dimension X=±0.2		
Angle ±1		

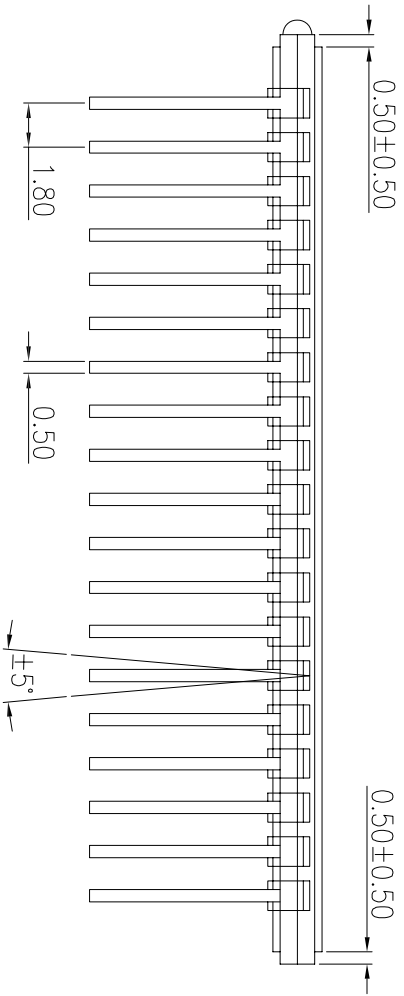
- NOTE:
1. TN TYPE
  2. DRIVING METHOD: 1/2 DUTY, 1/2 BIAS
  3. OPERATING VOLTAGE: 3.0 VOP
  4. OPERATING TEMP: -20° ~ 70°C
  5. STORAGE TEMP: -20° ~ 70°C
  6. VIEWING DIRECTION: 6:00
  7. POLARIZER MODE: REFLECTIVE POSITIVE
  8. CONNECTION: PIN TYPE

DENSITRON CORPORATION			
TITLE	LCD SEGMENTED GLASS		
DWG. NO.	DG-067	REV. A	CAGE CODE #0MSS2 SHEET 1 OF 4

The information disclosed herein was originated by and is the property of Denstiron Corporation. Denstiron Corporation reserves all patent, proprietary, design, use, sale, manufacturing and reproduction rights thereto.

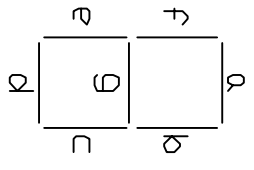
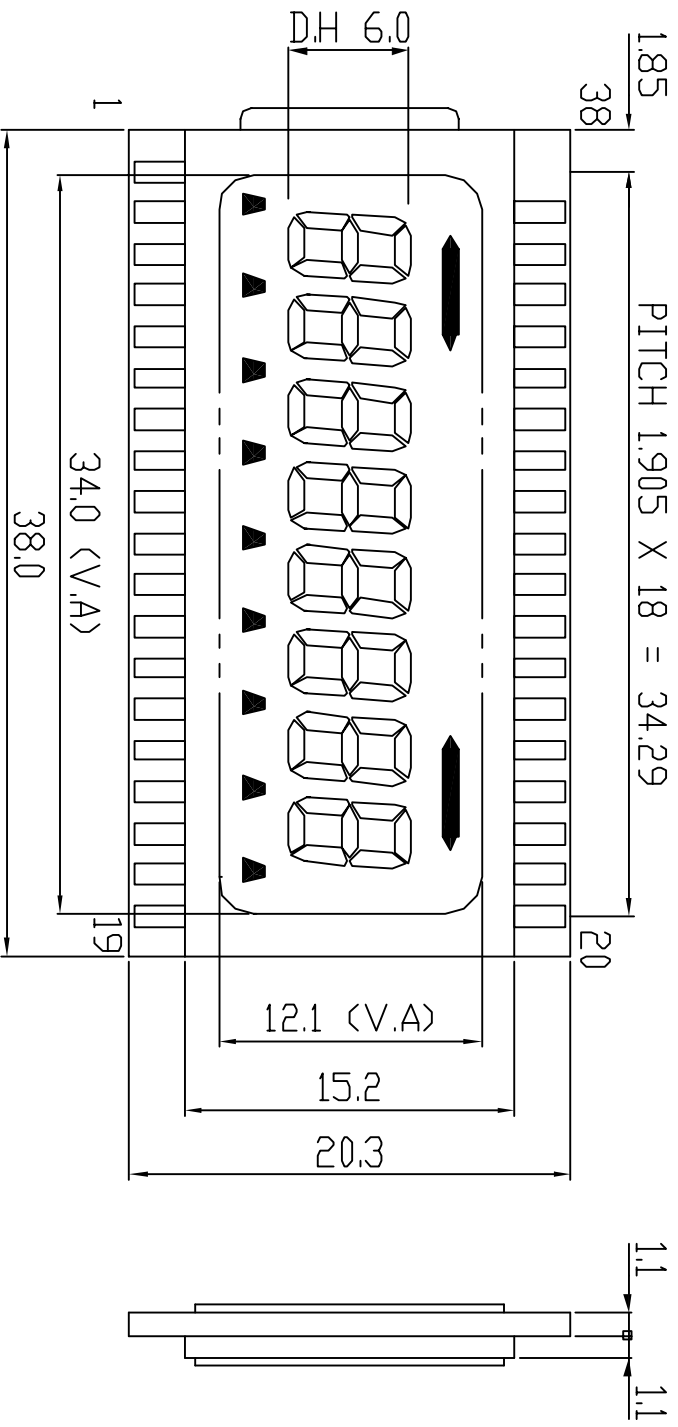


PIN VERSION



DENSITRON CORPORATION	
TITLE	LCD SEGMENTED GLASS
DWG. NO.	DG-067
REV. A	CAGE CODE #0MSS2
	SHEET 2 OF 4

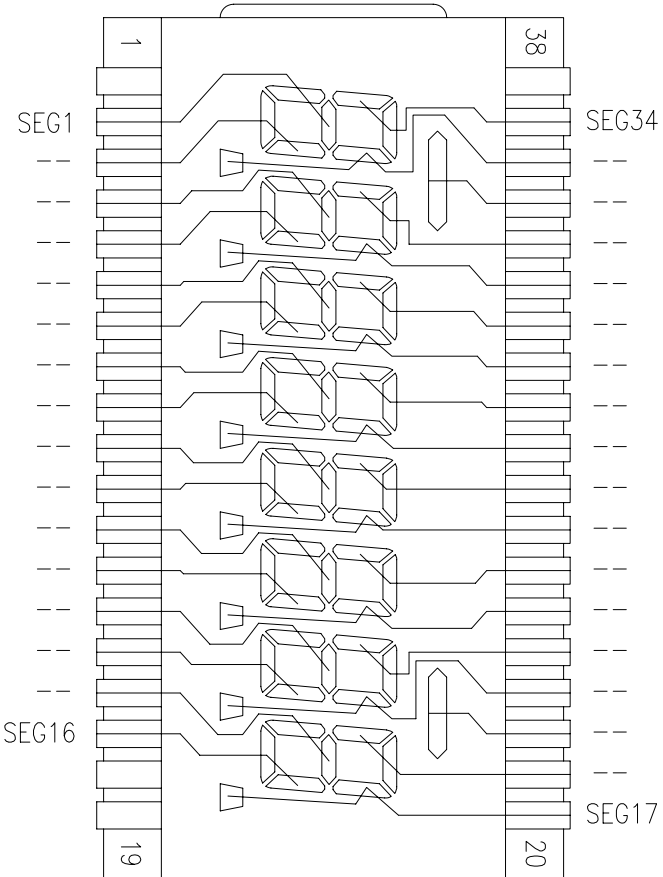
The information disclosed herein was originated by and is the property of Denzitron Corporation. Denzitron Corporation reserves all patent, proprietary, design, use, sale, manufacturing and reproduction rights thereto.



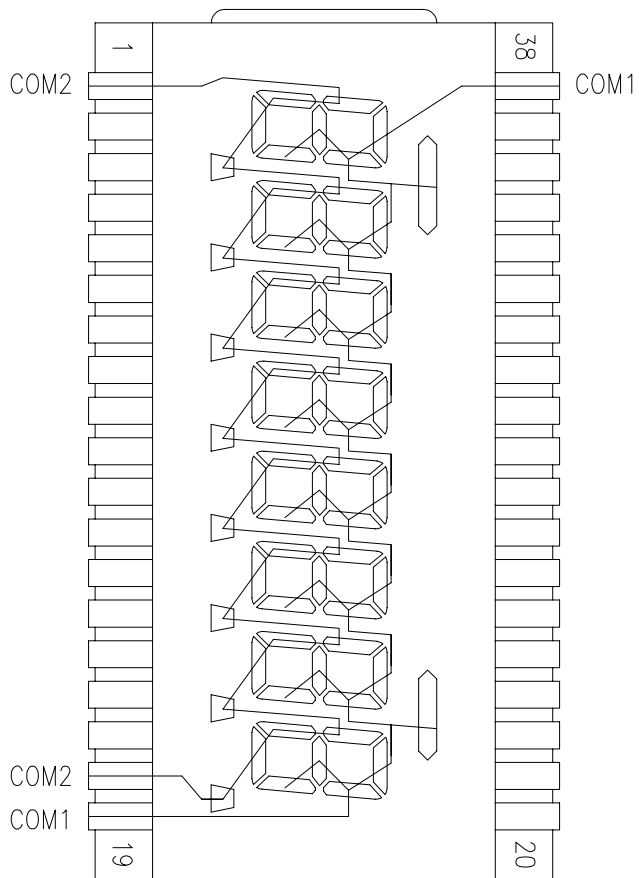
ZEBRA VERSION

DENSITRON CORPORATION		
TITLE	LCD SEGMENTED GLASS	
DWG. NO.	DG-067	REV. A
CAGE CODE	#0WSS2	SHEET 3 OF 4

The information disclosed herein was originated by and is the property of Denstiron Corporation. Denstiron Corporation reserves all patent, proprietary, design, use, sale, manufacturing and reproduction rights thereto.



SEGMENT



COMMON

DENSITRON CORPORATION	
TITLE	LCD SEGMENTED GLASS
DWG. NO.	DG-067
REV. A	CAGE CODE #0M552
SHEET 4 OF 4	