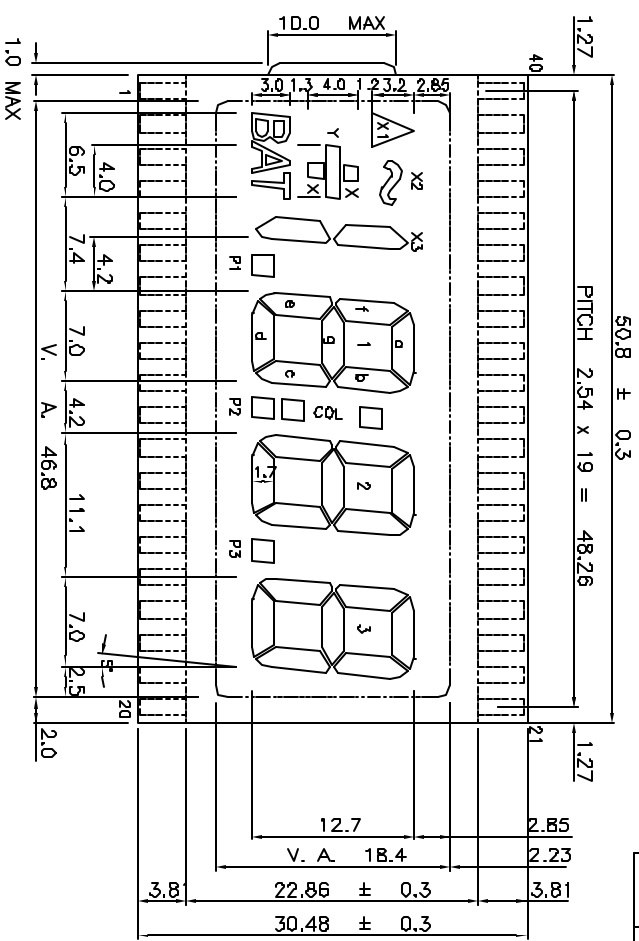


The information disclosed herein was originated by and is the property of Densitron Technologies. Densitron Technologies reserves all patent, proprietary, design, sales, manufacturing and reproduction rights thereto.

REVISIONS		REV.	DESCRIPTIONS	DATE	APPROVED
A	Released on ECN #1234			01/03/02	M. A.



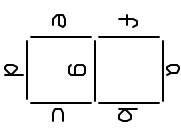
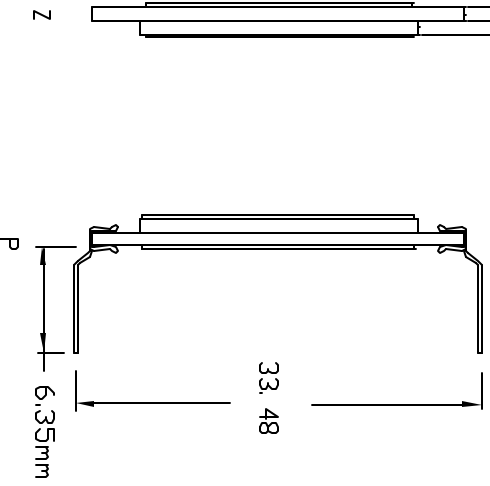
Pin No.	Seg.	Pin No.	Seg.	Pin No.	Seg.	Pin No.	Seg.
1	COM	11	3C	21	1a	31	3f
2	-	12	3DP	22	1f	32	3g
3	K	13	2e	23	1g	33	NC
4	NC	14	2d	24	2b	34	NC
5	NC	15	2c	25	2a	35	NC
6	NC	16	2DP	26	2f	36	NC
7	NC	17	1e	27	2g	37	~
8	4DP	18	1d	28	L	38	Δ
9	3e	19	1c	29	3b	39	:
10	3d	20	1b	30	3a	40	BAT

Ordering Information

DG-1004-XZ-W	ZEBRA TYPE	DG-1004-XP-W	PIN TYPE
Replace the 'X' in the above part number with 'R' for Reflective polarizer, 'B' for Transmissive Polarizer, or 'F' for Transmissive Polarizer, add -W for Wide Temp.			

Specifications:

CONNECTION TYPE	Pin or Zebra
DUTY	Static 1/1
DISPLAY MODE	Positive
DRIVING VOLTAGE (V)	5V
POLARIZER GRADE	Commercial
VIEWING DIRECTION	6 o'clock
OPERATING TEMPERATURE (°C)	-0~50°C
STORAGE TEMPERATURE (°C)	-5~55°C



Unless otherwise specified, dimensions are mm. Tolerances are: X = ± 0.3, .X = ± 0.5, .XX = ± 0.05. CAGE CODE HDWSS2

APPROVALS	DATE	TITLE	DWG. NO.	SHEET 1 OF 1
DRAWN		LCD SEGMENTED GLASS	DG-1004	
CHECKED		DENSITRON TECHNOLOGIES PLC.		
ISSUED				