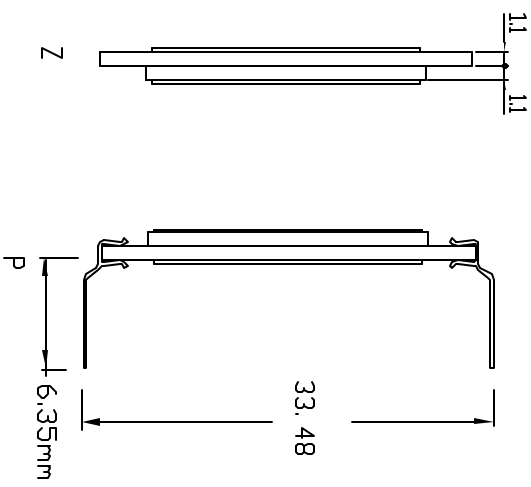
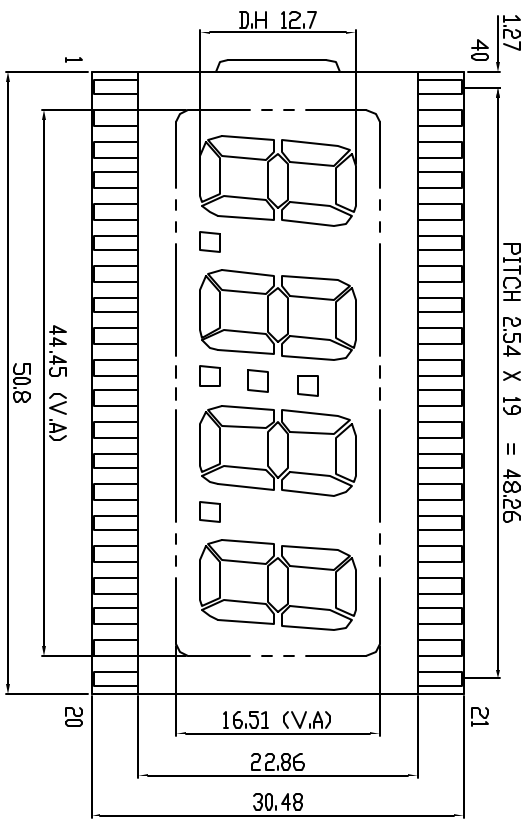


The information disclosed herein was originated by and is the property of Densitron Technologies. Densitron Technologies reserves all patents, proprietary, designer, sole, manufacturing and reproduction rights thereto.

REVISIONS		DATE	APPROVED
REV.	DESCRIPTIONS		
A	Released on ECN #1234	12/20/01	M. A.



PINOUT:

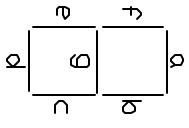
Pin No.	Seg.	Pin No.	Seg.	Pin No.	Seg.	Pin No.	Seg.
1	CDM	11	3c	21	1a	31	3f
2	NC	12	3DP	22	1f	32	3g
3	NC	13	2e	23	1g	33	NC
4	NC	14	2d	24	2b	34	4b
5	4e	15	2c	25	2a	35	4a
6	4d	16	2DP	26	2f	36	4f
7	4c	17	1e	27	2g	37	4g
8	4DP	18	1d	28	L	38	NC
9	3e	19	1c	29	3b	39	NC
10	3d	20	1b	30	3a	40	CDM

Specifications:

CONNECTION TYPE	Pin or Zebra
DUTY	Static 1/1
DISPLAY MODE	Positive
DRIVING VOLTAGE (V)	5V
POLARIZER GRADE	Commercial
VIEWING DIRECTION	6 o'clock
OPERATING TEMPERATURE (*C)	-0~50°C
STORAGE TEMPERATURE (*C)	-5~55°C

Ordering Information

DG-1097-XZ-W	ZEBRA TYPE	DG-1097-XP-W	PIN TYPE
Replace the 'X' in the above part number with 'R' for Reflective polarizer, 'B' for Transreflective Polarizer, or 'F' for Transmissive Polarizer, add -W for Wide Temp.			



Unless otherwise specified, Dimensions are mm. Tolerances are:
 X = ± 0.3
 .X = ± 0.5
 .XX = ± 0.05
 CAGE CODE #DVS52

APPROVALS	DATE	TITLE	DWG. NO.	SHEET
DRAWN		DENSITRON TECHNOLOGIES PLC.	DG-1097	1 OF 1
CHECKED		LCD SEGMENTED GLASS		
ISSUED				