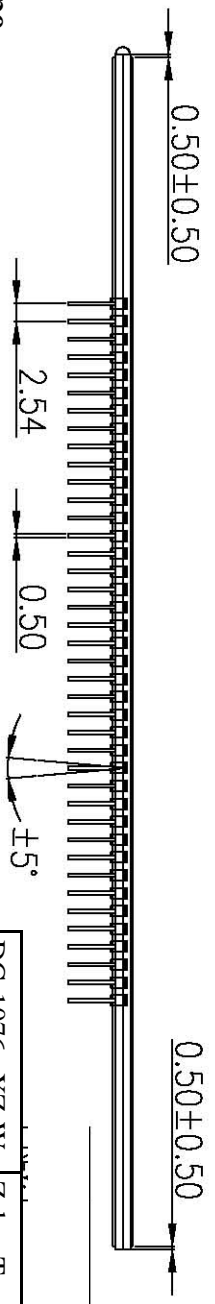
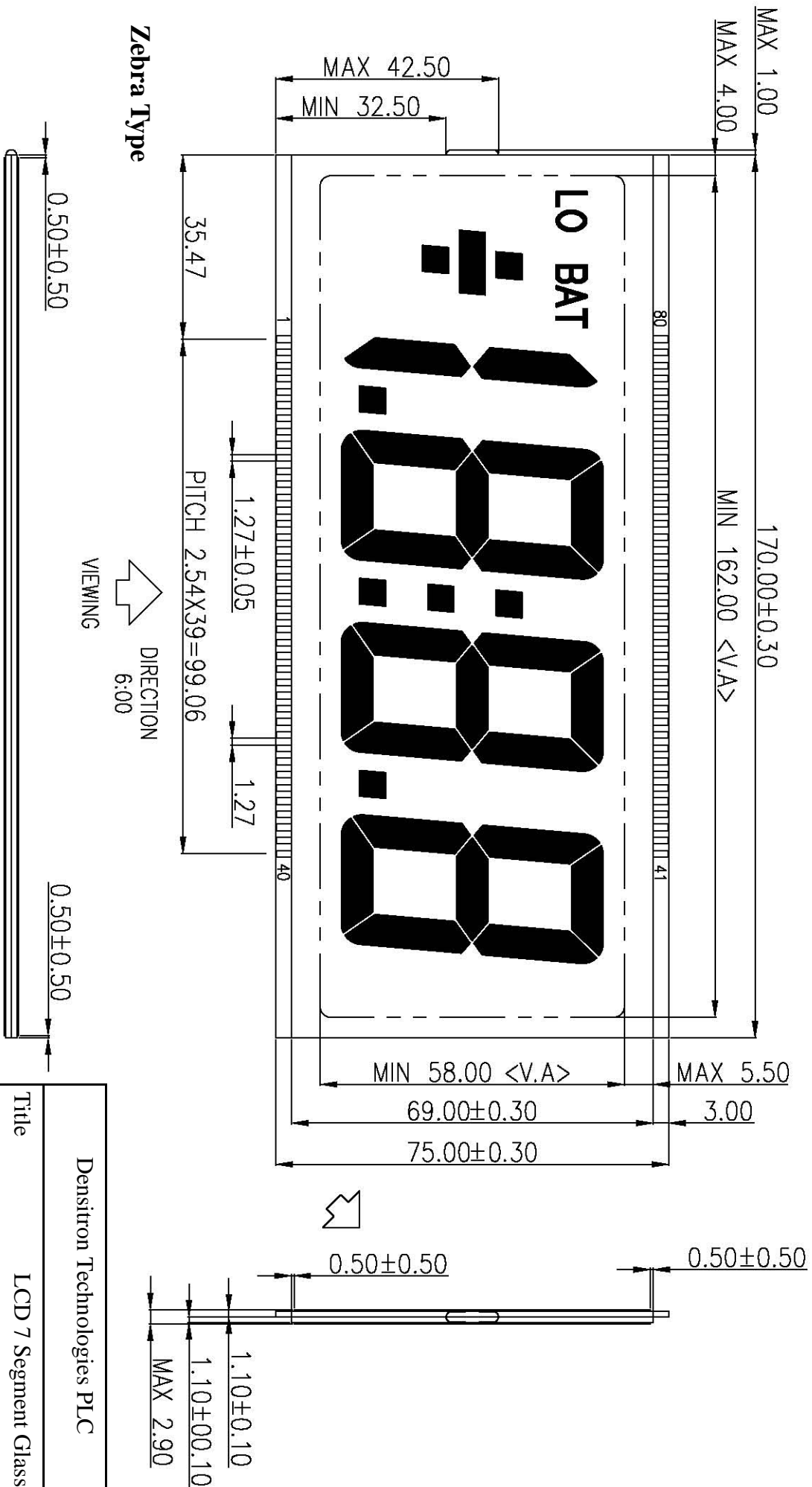


Pin Type



Densitron Technologies PLC			
LCD 7 Segment Glass			
Title		Model	
DG-1076-XZ-W		DG-1076	
Zebra Type		Pin Type	
DG-1076-XP-W		DG-1076	

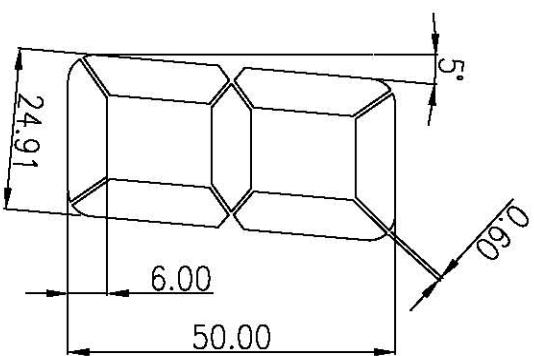
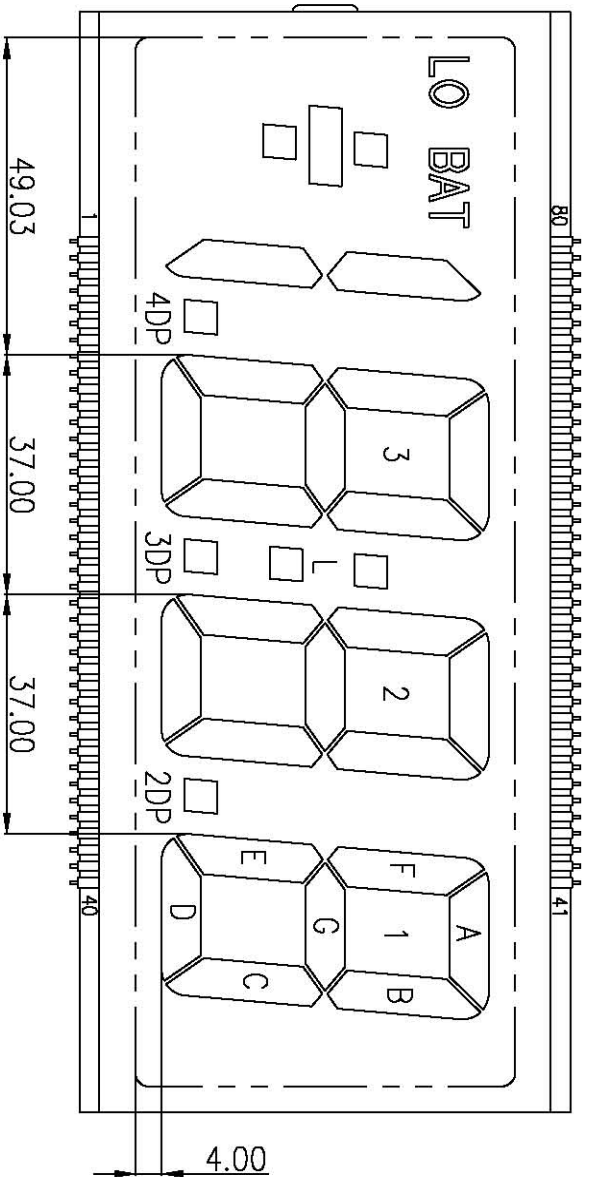
Replace the "X" in the above part number with R for Reflective polarizer, "B" for Transflective or "T" for Transmissive. -W for Wide Temp version.



The information disclosed herein was originated by and is the property of Densitron Technologies. Densitron Technologies reserves all patent proprietary, design, use, sale, manufacturing and reproduction rights thereto.

Copyright © DENSTRON TECHNOLOGIES Plc. All rights reserved.—Proprietary data

Densitron Technologies PLC			
Title LCD 7 Segment Glass			
Model DG-1076			
DG-1076-XZ-W	Zebra Type	DG-1076-XP-W	Pin Type
Replace the "X" in the above part number with R for Reflective polarizer, "B" for Transflective or "F" for Transmissive. -W for Wide Temp version.			



1	2	3	4	5	6	7	8	9	10	11	12	13	14	15	16	17	18	19	20
COM	COM	COM	□	□	K	K	NC	NC	NC	NC	NC	NC	NC	4DP	4DP	3E	3E	3D	3D
21	22	23	24	25	26	27	28	29	30	31	32	33	34	35	36	37	38	39	40
COM	3C	3C	3DP	3DP	2E	2E	2D	2D	2C	2C	2DP	2DP	1E	1E	1D	1D	1C	1C	1B
41	42	43	44	45	46	47	48	49	50	51	52	53	54	55	56	57	58	59	60
COM	1A	1A	1F	1F	1G	1G	2B	2B	2A	2A	2F	2F	2G	2G	L	L	3B	3B	3A
61	62	63	64	65	66	67	68	69	70	71	72	73	74	75	76	77	78	79	80
COM	3F	3F	3G	3G	NC	NC	NC	NC	NC	NC	NC	NC	NC	LOBAT	□	□	COM	COM	COM

NOTE

1. TN Type
2. Driving method: Static
3. Operating voltage: 3v / 5v (pin is 3v only)
4. Operating temp 0 ~ 50°C
5. Storage temp 0 ~ 60°C
6. Viewing Direction 6 O'clock
7. Polarizer mode: Reflective / Transflective / Transmissive
8. Connection: Zebra or Pin
9. Dimensions are in millimetres and are ±0.20mm unless otherwise stated.

Densitron Technologies PLC		
Title LCD 7 Segment Glass		
Model DG-1076		
DG-1076-XZ-W	Zebra Type	DG-1076-XP-W
		Pin Type
Replace the "X" in the above part number with R for Reflective polarizer, "B" for Transflective or "F" for Transmissive. -W for Wide Temp version.		