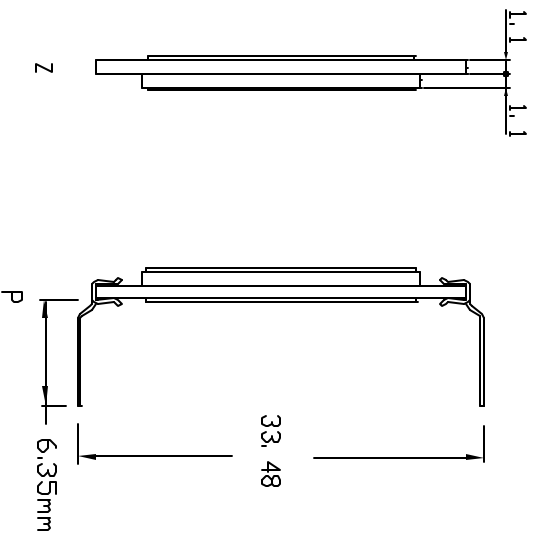
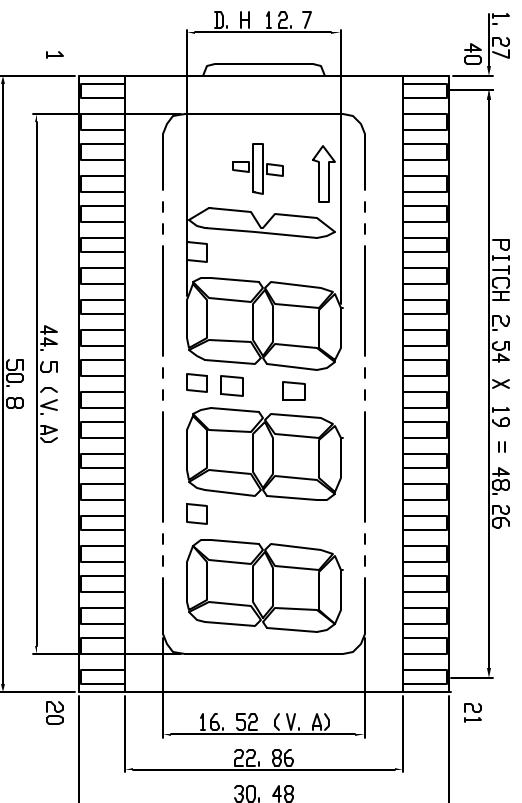


The information disclosed herein was originated by and is the property of Densitron Technologies. Densitron Technologies reserves all patent, proprietary, design, sales, manufacturing and reproduction rights therein.



PINOUT:

Pin No.	Seg.	Pin No.	Seg.	Pin No.	Seg.	Pin No.	Seg.
1	COM	11	3c	21	1a	31	3f
2	-	12	3DP	22	1f	32	3g
3	K	13	2e	23	1g	33	NC
4	NC	14	2d	24	2b	34	NC
5	NC	15	2c	25	2a	35	NC
6	NC	16	2DP	26	2f	36	NC
7	NC	17	1e	27	2g	37	NC
8	4DP	18	1d	28	L	38	←
9	3e	19	1c	29	3b	39	I
10	3d	20	1b	30	3a	40	COM

Ordering Information

DG-201201-XZ-W ZEBRA TYPE DG-201201-XP-W PIN TYPE

Replace the 'X' in the above part number with 'R' for Reflective polarizer, 'B' for Transmissive Polarizer, or 'F' for Transmissive Polarizer, add -W for Wide Temp.

REV.	DESCRIPTIONS	DATE	APPROVED
A	Released on ECN #1234	12/19/01	M. A.

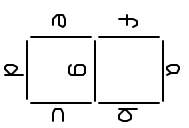
REVISIONS

Specifications:

CONNECTION TYPE	Pin or Zebra
DUTY	Static 1/1
DISPLAY MODE	Positive
DRIVING VOLTAGE (V)	5V
POLARIZER GRADE	Commercial
VIEWING DIRECTION	6 o'clock
OPERATING TEMPERATURE (°C)	-0~50°C
STORAGE TEMPERATURE (°C)	-5~55°C

Unless otherwise specified, Dimensions are mm

Tolerances are:  
X = ± 0.3  
.X = ± 0.5  
.XX = ± 0.05



APPROVALS	DATE	TITLE	DWG. NO.	SHEET 1 OF 1
DRAWN		DENSITRON TECHNOLOGIES PLC, LCD SEGMENTED GLASS	DG-201201	
CHECKED				
ISSUED				