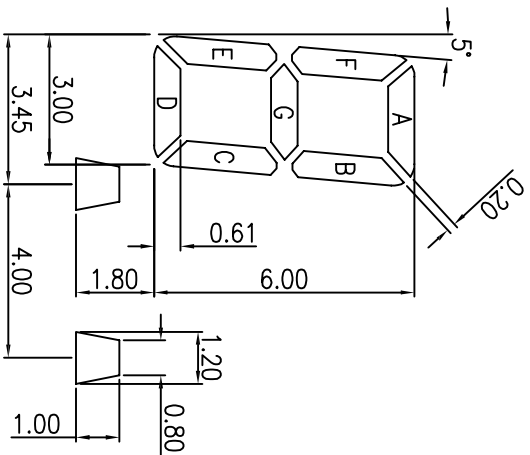
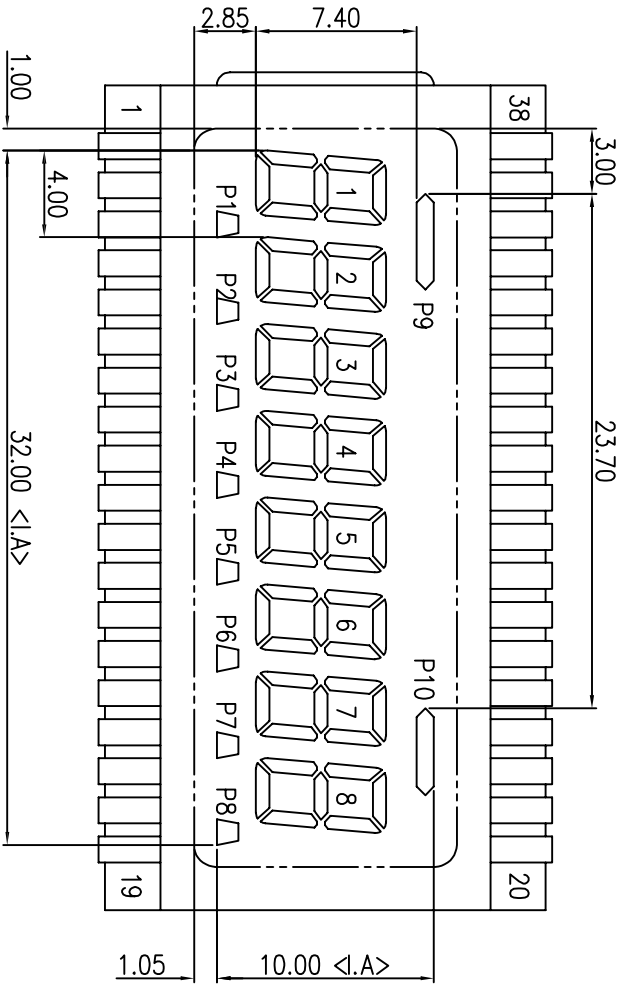


The information disclosed herein was originated by and is the property of Denstron Technologies. Denstron Technologies reserves all patent, proprietary, design, use, sale, manufacturing and reproduction rights thereto.

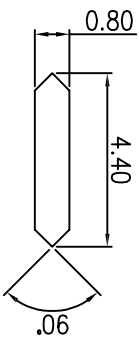
REVISIONS		DATE	APPROVED
REV.	DESCRIPTIONS		
A	Released on Ecn # E1918	05/12/05	RM



COM1	1	2	3	4	5	6	7	8	9	10	11	12	13	14	15	16	17	18	19
COM1	.	1G	1C	2G	2C	3G	3C	4G	4C	5G	5C	6G	6C	7G	7C	8G	8C	.	COM1
COM2	COM2	1E	1D	2E	2D	3E	3D	4E	4D	5E	5D	6E	6D	7E	7D	8E	8D	COM2	.
COM1	20	21	22	23	24	25	26	27	28	29	30	31	32	33	34	35	36	37	38
COM1	8B	8A	P10	7B	7A	6B	6A	5B	5A	4B	4A	3B	3A	2B	2A	P9	1B	1A	COM1
COM2	P8	8F	.	P7	7F	P6	6F	P5	5F	P4	4F	P3	3F	P2	2F	.	P1	1F	.

NOTE:

1. TN TYPE
2. DRIVING METHOD: 1/2 DUTY, 1/2 BIAS
3. OPERATING VOLTAGE: 3.0 VOP
4. OPERATING TEMP: -20° ~ 70°C
5. STORAGE TEMP: -20° ~ 70°C
6. VIEWING DIRECTION: 6:00
7. POLARIZER MODE: REFLECTIVE POSITIVE
8. CONNECTION: PIN TYPE

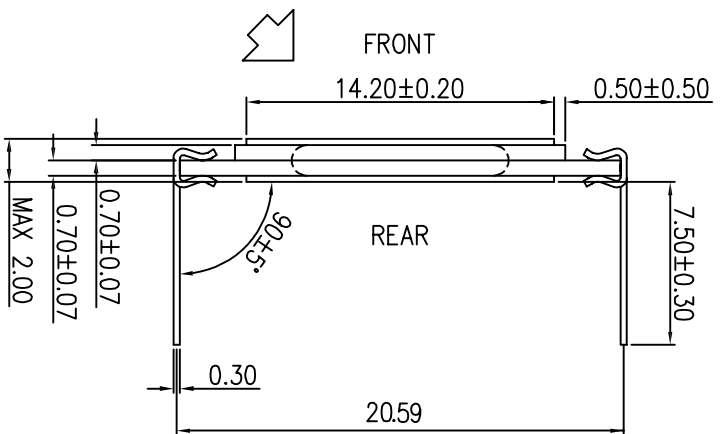
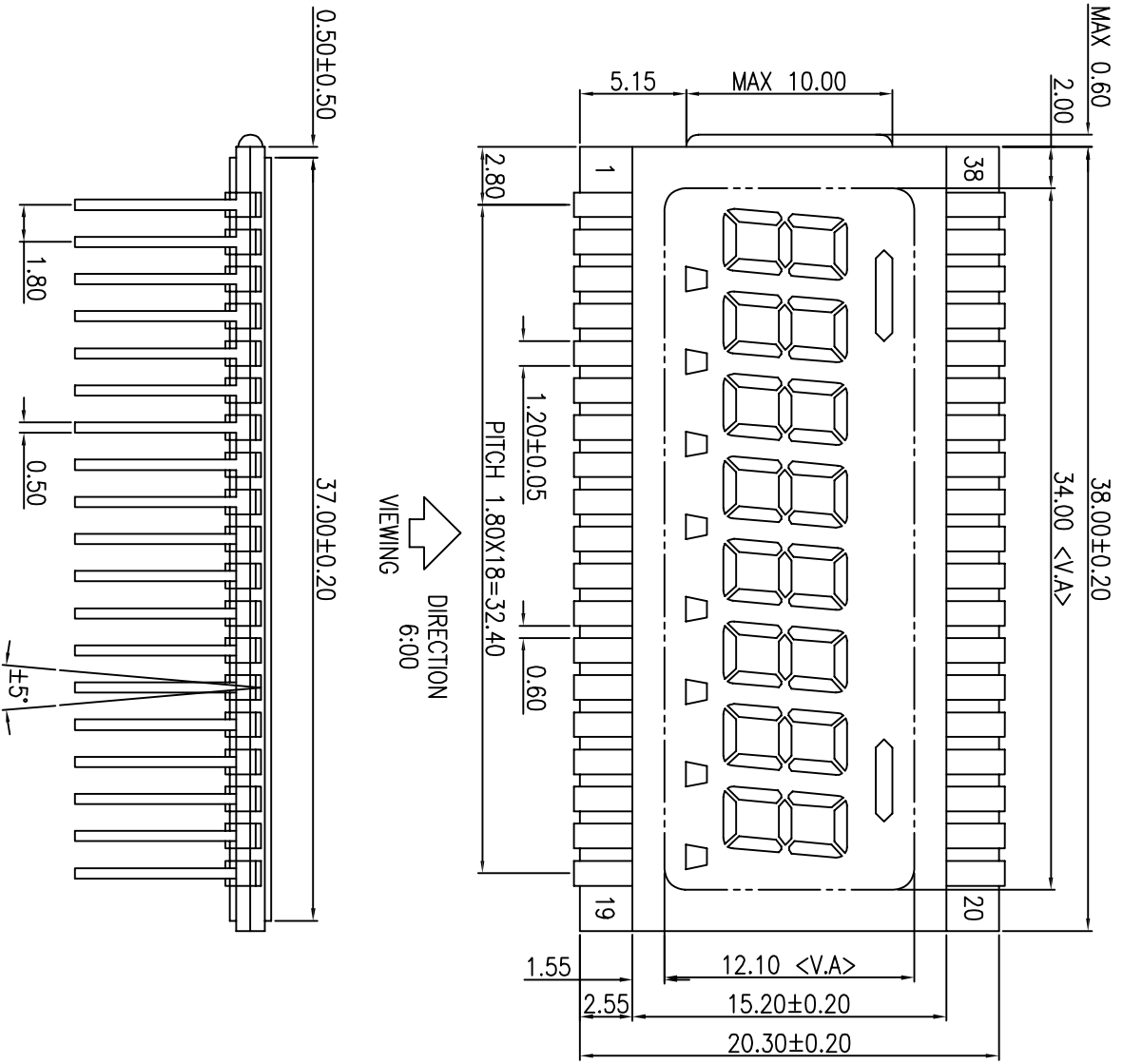


Unless otherwise specified dimensions are mm, tolerances are:

X = ± 0.3
 .X = ± 0.05
 .XX = ± 0.005

APPROVALS		DATE	DENSITRON TECHNOLOGIES PLC.	
DRAWN:			TITLE	Custom LCD Module
CHECKED:			DWG. NO.	DG-2216
ISSUED:			CAGE CODE #0WSS2	SHEET 1 OF 2

The information disclosed herein was originated by and is the property of Denstron Technologies. Denstron Technologies reserves all patent, proprietary, design, use, sale, manufacturing and reproduction rights thereto.



Unless otherwise specified dimensions are mm, tolerances are:
 X = ± 3
 .X = ± 0.5
 .XX = ± 0.05

APPROVALS		DATE	
DRAWN:		TITLE	DENSTRON TECHNOLOGIES PLC.
CHECKED:			Custom LCD Module
ISSUED:		DWG. NO.	DG-2216
		CAGE CODE #	0WSS2
		SHEET 2 OF 2	