

LIQUID CRYSTAL DISPLAY MODULE

Product Specification

CUSTOMER	Standard
CUSTOMER PART NUMBER	
PRODUCT NUMBER	DBC-64048057-1B0

Product Mgr	Design Eng
Bruno Recaldini	Luo Luo
Date: 1-Dec-11	Date: 1-Dec-11

TABLE OF CONTENTS

1	MAIN FEATURES	4
2	MECHANICAL SPECIFICATION.....	5
2.1	MECHANICAL CHARACTERISTICS	5
2.2	MECHANICAL DRAWING	6
2.3	SERIAL LABEL / PRINT	7
3	ELECTRICAL SPECIFICATION.....	8
3.1	ABSOLUTE MAXIMUM RATINGS	8
3.2	ELECTRICAL CHARACTERISTICS	8
3.3	INTERFACE PIN ASSIGNMENT	9
3.4	BLOCK DIAGRAM	11
3.5	TIMING CHARACTERISTICS	12
3.6	POWER SEQUENCE	17
4	OPTICAL SPECIFICATION.....	18
4.1	OPTICAL CHARACTERISTICS	18
5	BACKLIGHT SPECIFICATION	20
5.1	LED DRIVING CONDITIONS	20
6	QUALITY ASSURANCE SPECIFICATION	21
6.1	DEFECTIVE DISPLAY AND SCREEN QUALITY	21
6.2	SCREEN AND OTHER APPEARANCE.....	22
6.3	DEALING WITH CUSTOMER COMPLAINTS	23
7	RELIABILITY SPECIFICATION	24
7.1	RELIABILITY TESTS	24
8	HANDLING PRECAUTIONS.....	25

REVISION RECORD

Rev.	Date	Page	Chapt.	Comment	ECN no.
1.0				First Issue	
1.1	01.12.2011	7	2.3	Added Serial Label / Print	

1 MAIN FEATURES

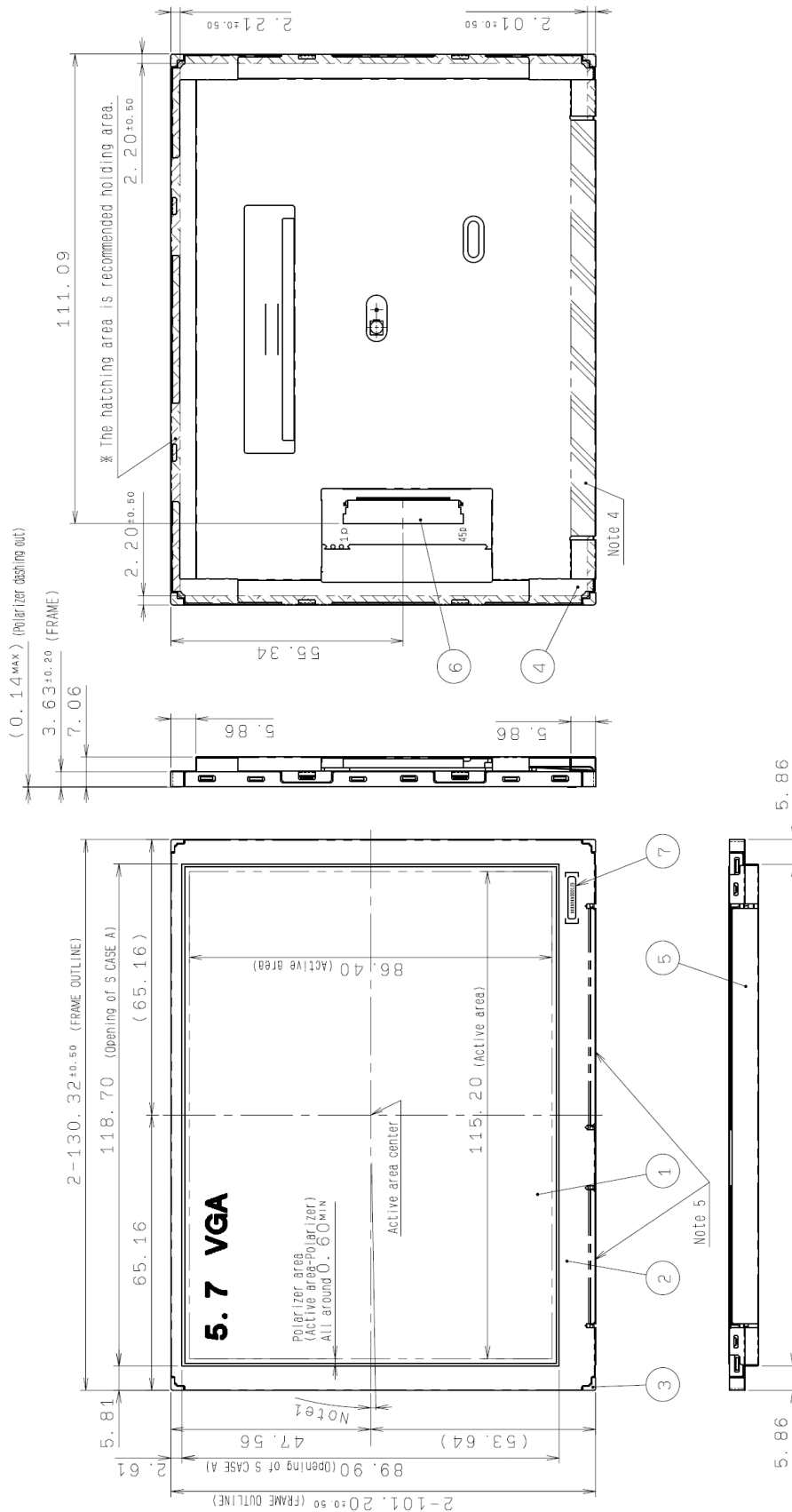
ITEM	CONTENTS
Screen Size	5.7" Diagonal
Display Format	640 x RGB x 480 Dots
N° of Colour	262k
Overall Dimensions	130.32 mm (H) x 101.20 mm (V) x 7.06 mm (D)
Active Area	115.20 mm (H) x 86.40 mm (V)
LCD Type	TFT
Mode	Sunlight Readable
Interface	6-bit RGB, parallel input
Backlight Type	LED
Operating Temperature	-20°C ~ +70°C
Storage Temperature	-30°C ~ +80°C
RoHS compliant	Yes

2 MECHANICAL SPECIFICATION

2.1 MECHANICAL CHARACTERISTICS

ITEM	CHARACTERISTIC	UNIT
Display Format	640 x RGB x 480	Dots
Overall Dimensions	130.32 (H) x 101.20 (V) x 7.06 (D)	mm
Bezel Opening Area	118.70 (H) x 89.90 (V)	mm
Active Area	115.20 (H) x 86.40 (V)	mm
Dot Pitch	60.0 (H) x RGB x 180.0 (V)	µm
Weight	122	g

2.2 MECHANICAL DRAWING



Product No.	DBC-64048057-1B0	REV. 1.1
-------------	------------------	----------

Page	6 / 25
------	--------

2.3 SERIAL LABEL / PRINT

The label / print indicates the least significant digit of manufacture year (1digit), manufacture month with below alphabet (1letter), model code (4 or 5 characters), serial number (6 digits).

* Label / Print Contents

*	*	****(*)	*****
a	b	c	d

where:

- a The least significant digit of manufacturing year
- b Manufacturing Month:
Jan-A, Feb-B, Mar-C, Apr-D, May-E, Jun-F, Jul-G, Aug-H, Sep-I, Oct-J, Nov-K, Dec-L
- c Model code
57CGC →Made in Japan
57CHC →Made in Malaysia
57CJC →Made in China
- d Serial number, like "000125"

Examples:

Made in Japan
OK57CGC000125
means "manufactured in November 2010, model 57CGC, serial number 000125"

Made in Malaysia
OK57CHC000125
means "manufactured in November 2010, model 57CHC, serial number 000125"

Made in China
OK57CJC000125
means "manufactured in November 2010, model 57CJC, serial number 000125"

3 ELECTRICAL SPECIFICATION

3.1 ABSOLUTE MAXIMUM RATINGS

Item	Symbol	Condition	Min	Max	Unit	Applicable terminal
Supply Voltage	VDD	Ta=25°C	-0.3	6.0	V	VDD
Input Voltage for Logic	VI		-0.3	VDD+0.3	V	CLK, VSYNC, HSYNC, DE, D[05;00], D[15;10], D[25;20], RL, UD, DISP

3.2 ELECTRICAL CHARACTERISTICS

(Unless otherwise noted, Ta=25°C, VDD=3.3V, VSS=0V)

Item	Symbol	Condition	Min	Typ	Max	Unit	Applicable terminal
Supply Voltage	VDD		3.0	3.3	3.6	V	VDD
Input Voltage for Logic	VI	VDD=3.0~3.6V	0	-	VDD	V	CLK, VSYNC, HSYNC, DE, D[05;00], D[15;10], D[25;20], RL, UD, DISP
Input Voltage for Logic	VIH		0.7xVDD	-	VDD	V	CLK, VSYNC, HSYNC, DE, D[05;00], D[15;10], D[25;20], RL, UD, DISP
	VIL		0	-	0.3xVDD	V	
Pull down resistor value	Rpd		300	450	600	kΩ	DE, D[05;00], D[15;10], D[25;20]
Pull up resistor value	Rpu		300	450	600	kΩ	DISP
Current Consumption	IDD	fCLK=25MHz Colour bar display	-	155	310	mA	VDD

3.3 INTERFACE PIN ASSIGNMENT

3.3.1 LCM PIN ASSIGNMENT

Pin No.	Symbol	Function
1	VSS	Ground
2	CLK	Clock signal (latching data on the rising edge)
3	VSS	Ground
4	HSYNC	Horizontal sync signal (Low active)
5	VSYNC	Vertical sync signal (Low active)
6	VSS	Ground
7	TEST1	Connect to Ground
8	TEST2	Connect to Ground.
9	D20	Display data (B) 00h: Black D20:LSB D25:MSB Driver has internal gamma conversion.
10	D21	
11	D22	
12	D23	
13	D24	
14	D25	
15	VSS	Ground
16	TEST3	Connect to Ground
17	TEST4	Connect to Ground.
18	D10	Display data (G) 00h: Black D10:LSB D15:MSB Driver has internal gamma conversion.
19	D11	
20	D12	
21	D13	
22	D14	
23	D15	
24	VSS	Ground
25	TEST5	Connect to Ground
26	TEST6	Connect to Ground.
27	D00	Display data (R) 00h: Black D00:LSB D05:MSB Driver has internal gamma conversion.
28	D01	
29	D02	
30	D03	
31	D04	
32	D05	
33	VSS	Ground
34	RL	Horizontally Flipped (right/left) Signal (Lo: horizontally flipped display, Hi: Normal display)
35	VDD	Power Supply Input
36	VDD	Power Supply Input
37	DISP	Display on/off control signal (Lo: display off, Hi: display on)
38	DE	Input data effective signal (it is effective for the period of "Hi")
39	UD	Vertically Flipped (up/down) Signal (Lo: Normal display , Hi: vertically flipped display)
40	VSS	Ground
41	VBL	Power supply input (backlight)

42	VBL	Power supply input (backlight)
43	PDM	Brightness control pulse signal (Lo: 0%(backlight off) brightness, Hi: 100% brightness)
44	VSS	Ground
45	VSS	Ground

Connector used: KYOCERA ELCO 6240 series [04 6240 045 023 846+]

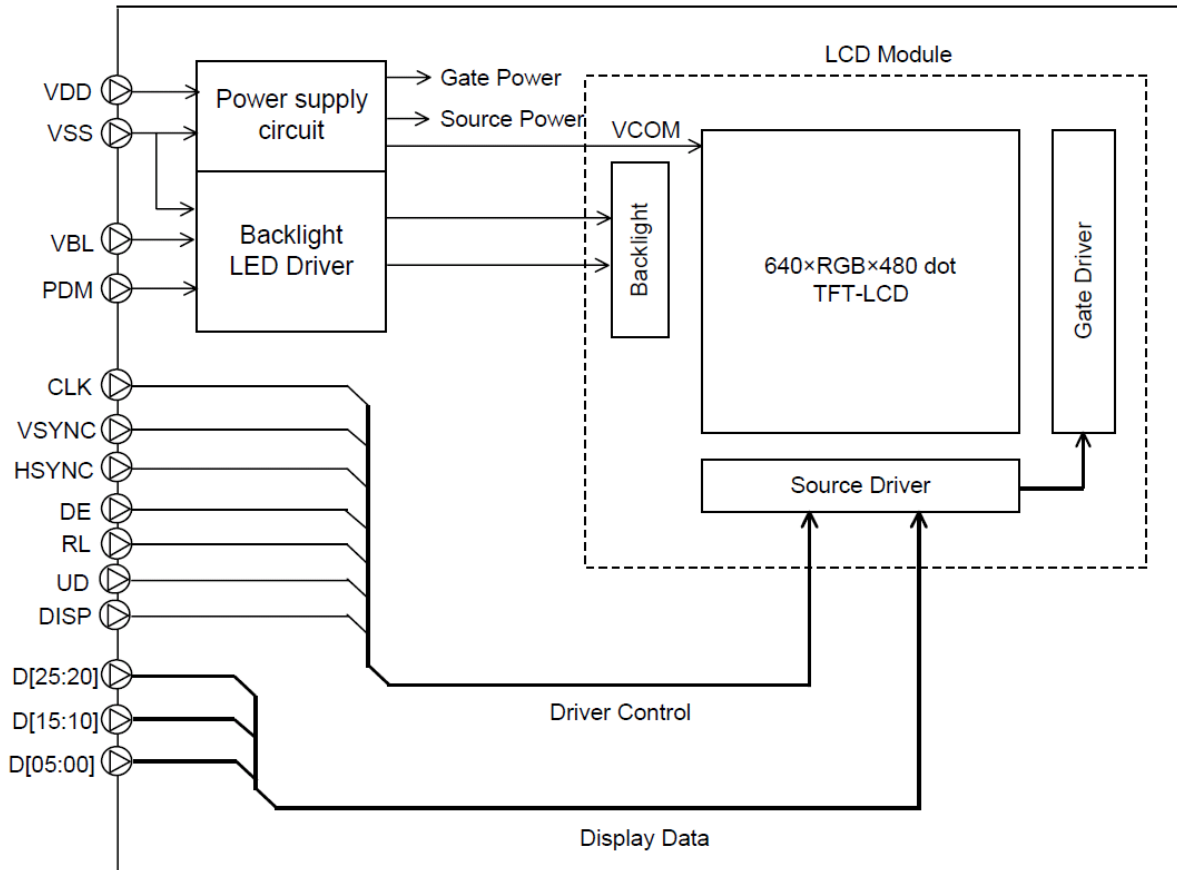
Please refer to the section 2.2 for pin terminal order.

The corrosion phenomenon by the different kind metal uniting is generated according to the system requirements, and there is a possibility of becoming a loose connection.

Please select very carefully, and design the FPC cable used.

3.4 BLOCK DIAGRAM

Each arrow indicates signal flow



3.5 TIMING CHARACTERISTICS

3.5.1 AC Timing Characteristics

3.5.1.1 TFT Display

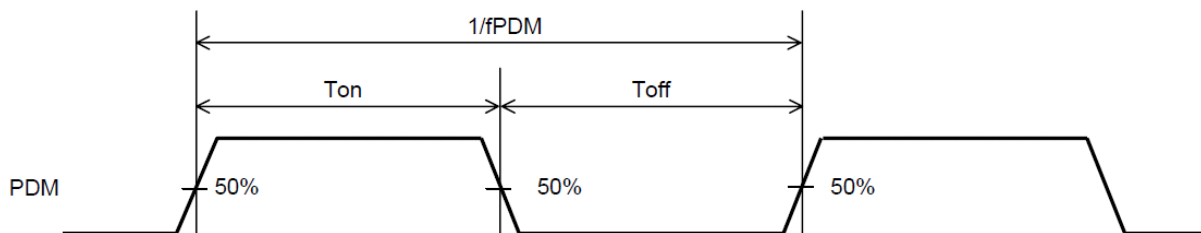
(Unless otherwise noted, Ta=25°C, VDD=3.3V, VSS=0V)

Item	Symbol	Condition	Rating			Unit	Applicable terminal
			MIN	TYP	MAX		
CLK frequency	fCLK			25	27	MHz	CLK
CLK Low period	tw1L	0.3xVDD or less	14.8	-	-	ns	
CLK High period	tw1H	0.7xVDD or more	14.8	-	-	ns	
Setup time	tsp		10	-	-	ns	CLK, VSYNC, HSYNC, DE, D[05:00], D[15:10], D[25:20]
Hold time	thd		10	-	-	ns	

3.5.1.2 LED Backlight

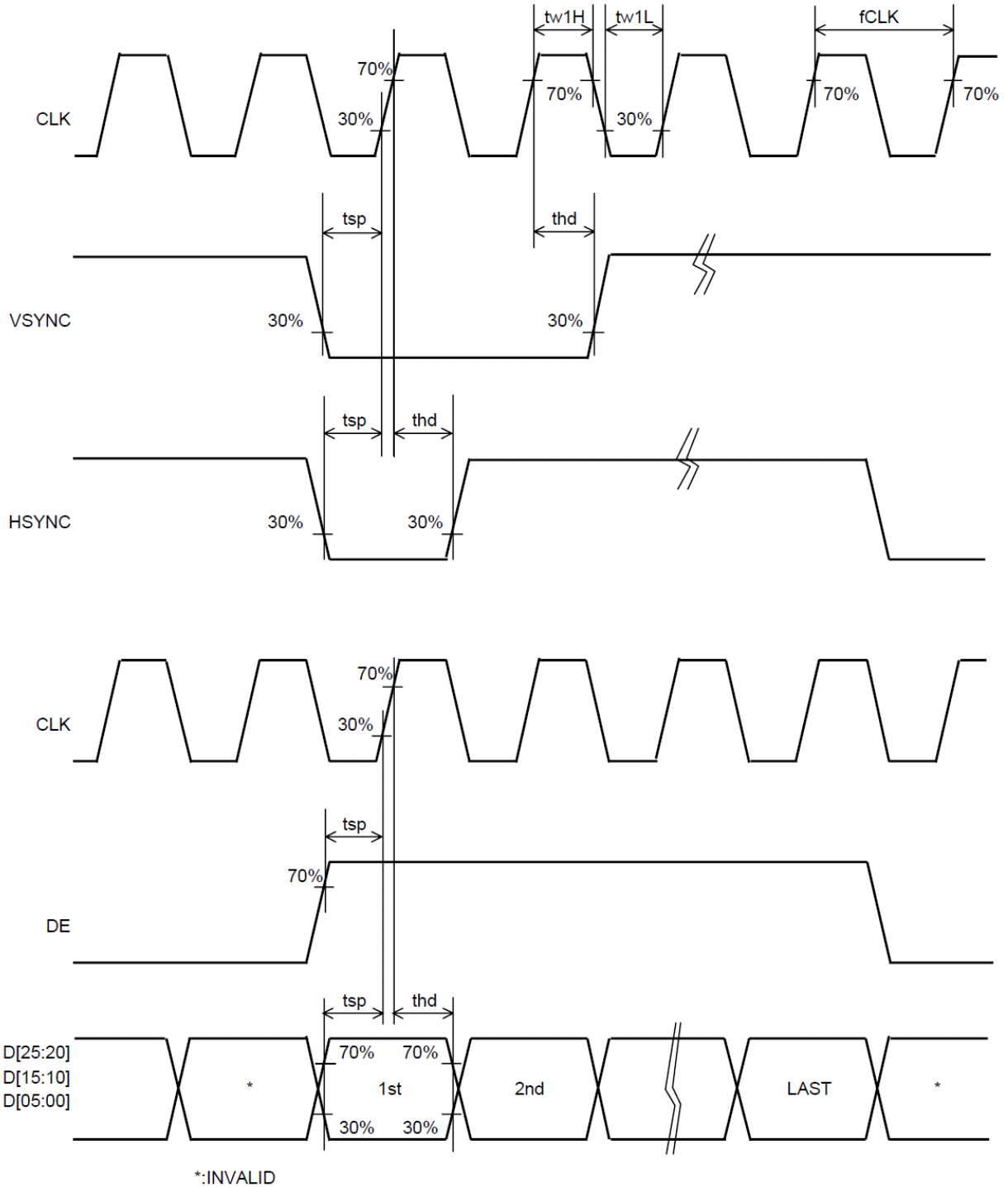
(Unless otherwise noted, Ta=25°C, VDD=3.3V, VBL=12.0V VSS=0V)

Item	Symbol	Condition	Rating			Unit	Applicable terminal
			MIN	TYP	MAX		
PDM frequency	fPDM		100	200	300	Hz	PDM
Brightness Control ON Duty	ON duty	100xTon/Ton+Toff) Ton>20µs, Toff>20µs	0	-	100	%	



3.5.2 AC Timing Diagrams

Switching Waveform Characteristics



3.5.3 Input Timing Characteristics

Unless otherwise noted, Ta=25°C, VDD=3.3V, VSS=0V

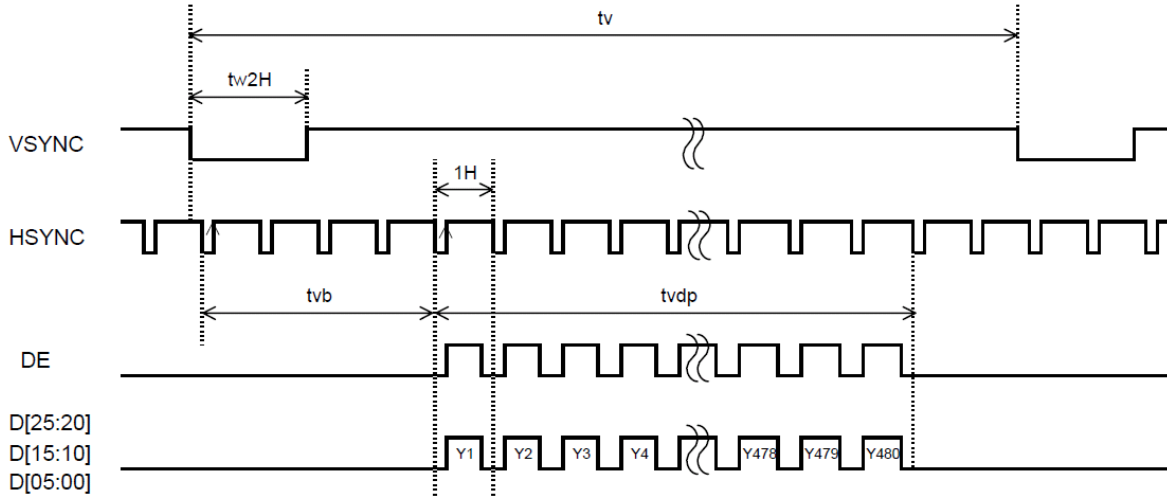
Item	Symbol	Rating			Unit	Applicable terminal
		MIN	TYP	MAX		
CLK frequency	fCLK	-	25	27	MHz	CLK
VSYNC frequency Note1	fVSYNC	54	60	66	Hz	VSYNC
VSYNC signal cycle time	tv	-	525	-	H	VSYNC, HSYNC
VSYNC pulse width	tw2H	1	3	5	H	
Vertical back porch	tvb	-	35	-	H	VSYNC, HSYNC, DE, D[05:00]; D[15:10], D[25,20]
Vertical display period	tvdP	-	480	-	H	
HSYNC signal cycle time	th	-	800	-	CLK	HSYNC, CLK
HSYNC pulse width	tw3H	5	30	-	CLK	
Horizontal back porch	thb	112	-	144 Note 2	CLK	HSYNC, DE, CLK, D[05:00], D[15:10], D[25:20]
Horizontal display period	thdp	-	640	-	CLK	
DE pulse width	tw4H	-	640	-	CLK	DE, CLK

Note 1: The characteristic of this item is recommended as standard.
Please use it after it confirms it enough like the display fineness etc.
When it comes off from this characteristic and it is used.

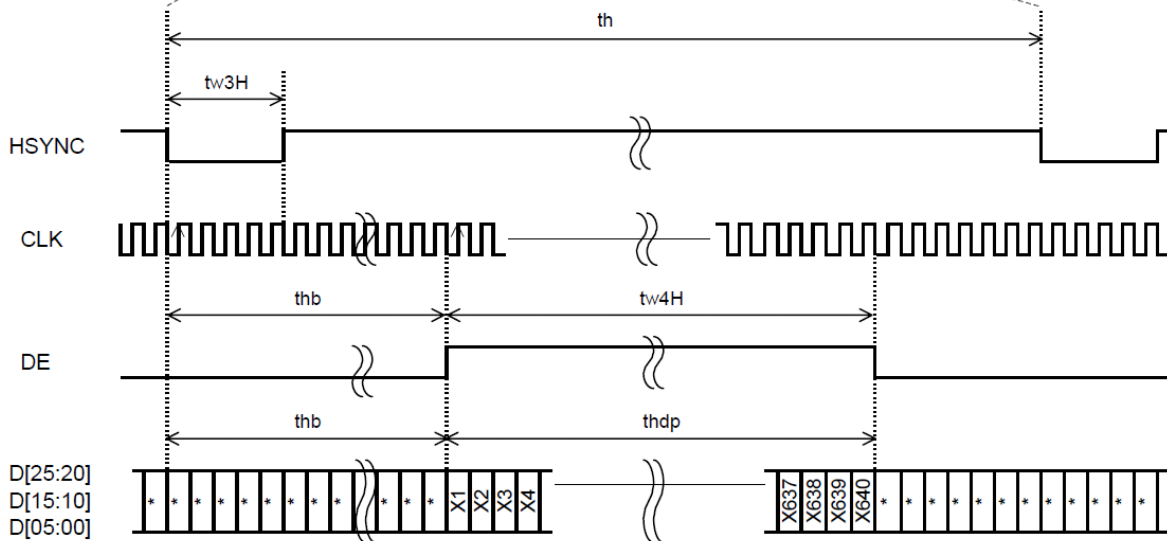
Note2: When "DE" keeps "Lo" for 144CLK or longer, start capturing data
automatically from 144CLK.

3.5.4 Driving Timing Chart

-Vertical Timing

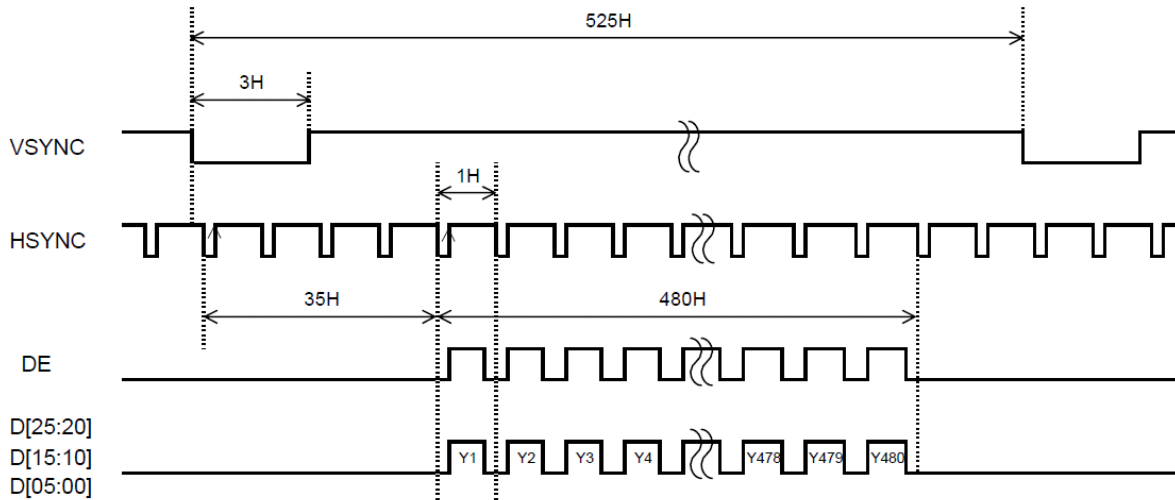


-Horizontal Timing

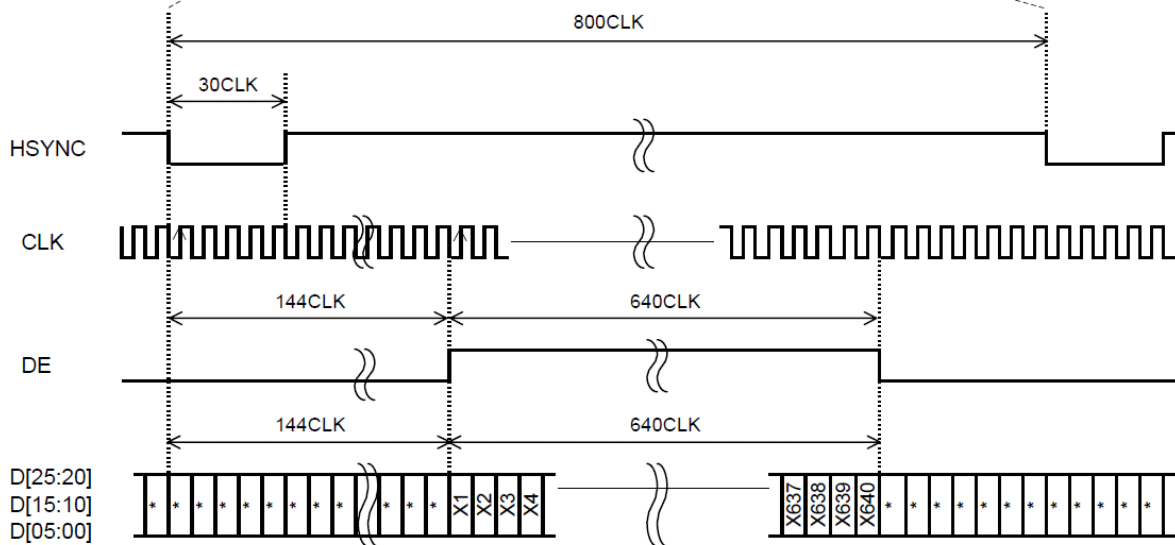


3.5.5 Example of Driving Timing Chart (fCLK= 25MHz)

-Vertical Timing



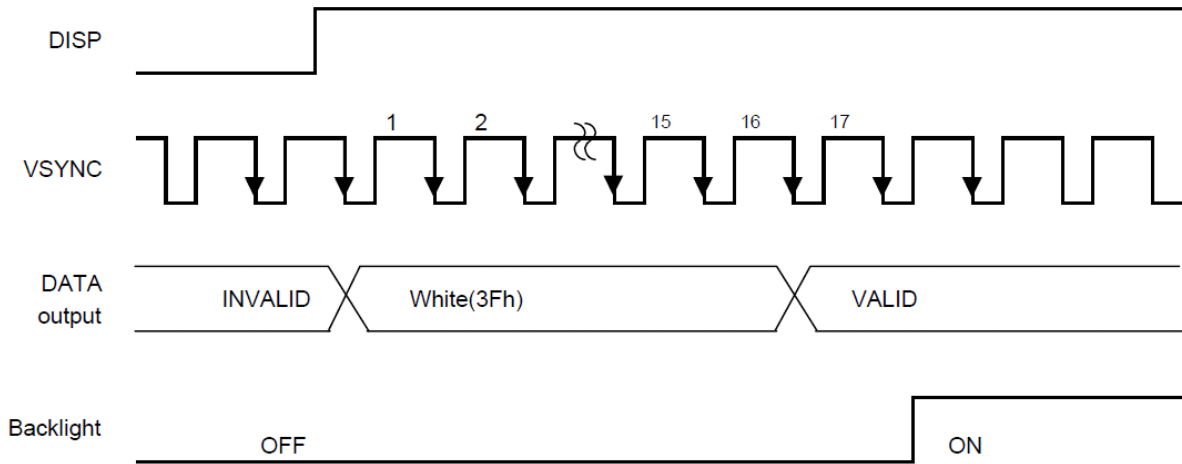
-Horizontal Timing



3.6 POWER SEQUENCE

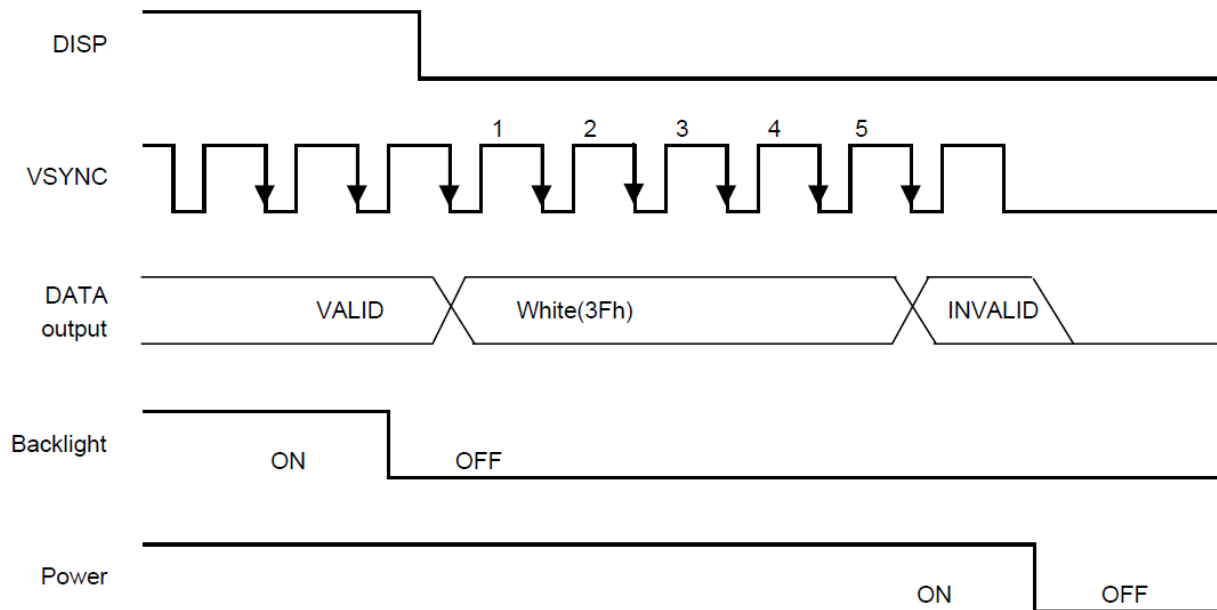
3.6.1 Display ON/OFF Sequence

After Display on, "White" data is outputted for 16-Frames first, from the falling edge of the following VSYNC signal.



After Display off, "White" data is outputted for 5-Frames first, from the falling edge of the following VSYNC signal.

Please turn off the power supply promptly after OFF of "DISP".



4 OPTICAL SPECIFICATION

4.1 OPTICAL CHARACTERISTICS

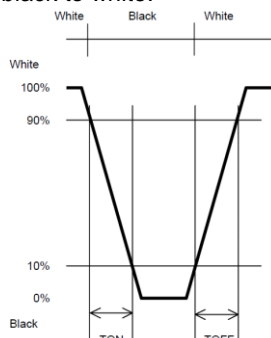
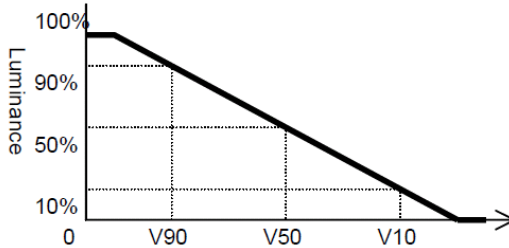
Measuring instruments:	CS1000 (KONICA MINOLTA), LCD7000 (OTSUKA ELECTRONICS) EZcontrast160D (ELDIM)
Driving condition:	VDD = 3.3V, VSS = 0V Optimized VCOMDC VLCD = Vsigpp/2
Backlight:	VBL = 12.0V (Brightness control ON duty = 100%)
Measured temperature:	Ta = 25° C

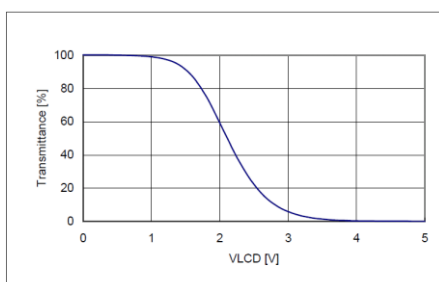
Item		Symbol	Condition	MIN	TYP	MAX	Unit	Note No.	Note
Response Time	Rise Time	TON	VLCD=0.6V→4.9V	-	-	40	ms	1	*
	Fall Time	TOFF	VLCD=4.9V→0.6V	-	-	60	ms		
Contrast Ratio	Backlight ON	CR	VLCD= 0.6V/4.9V	360	600	-		2	
	Backlight OFF			-	5.5	-			
Viewing Angle	Left	θL	VLCD= 0.6V/4.9V CR ≥ 10	80	80	-	deg	3	*
	Right	θR		80	80	-	deg		
	Up	φU		55	60	-	deg		
	Down	φD		60	65	-	deg		
V-T Threshold Voltage		V90		1.2	1.5	1.8	V	4	*
		V50		1.8	2.1	2.4	V		
		V10		2.5	2.8	3.1	V		
White V-T Curve				White V-T Curve					Reference
White Chromaticity		x	VLCD= 0.6V	White Chromaticity Range				5	
		y							
Burn-in				No noticeable burn-in image should be observed after 2hours of window pattern display.				6	
Centre Brightness			VLCD= 0.6V	385	550	-	cd/m ²	7	
Brightness Distribution			VLCD= 0.6V	70	-	-	%	8	

* Measured in the form of LCD module

.

4.1.1 Test Method

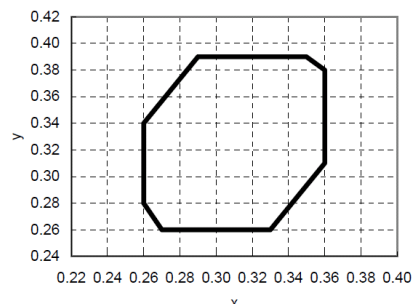
Note	Item	Test method	Measuring instrument	Remark
1	Response time	Measure output signal waveform by the luminance meter when raster of window pattern is changed from white to black and from black to white. 	LCD7000	Black display VLCD=4.9V White display VLCD=0.6V TON Rise Time TOFF Fall Time
2	Contrast ratio	Measure maximum luminance Y1 (VLCD=0.6V) and minimum luminance Y2 (VLCD=4.9V) at the centre of the screen by displaying raster or window pattern. Then calculate the ratio between these two values. Contrast ratio = Y1/Y2 Diameter of measuring point: 8mm Ø	CS1000 LCD7000	Backlight ON Backlight OFF
3	Viewing angle Horizontal θ Vertical Ø	Move the luminance meter from right to left and up and down and determinate the angles where contrast ratio is 10	EZcontrast160D	
4	V-T Threshold Value	Change VLCD by 0.1V step and plot the points where the luminance is 90% as V90, 50% as V50 and 10% as V10 of maximum luminance. 	LCD7000	
5	White chromaticity	Measure chromaticity coordinates x and y of CIE1931 colorimetric system at VLCD=0.6V Colour matching faction: 2° view	CS1000	
6	Burn-in	Visually check burn-in image on the screen after 2 hours of "window display" (VLCD=0.6V/4.9V).		At optimized VCOMDC
7	Centre brightness	Measure the brightness at the centre of the screen	CS1000	
8	Brightness distribution	(Brightness distribution)= 100 x B/A % A: max. brightness of the 9 points B: min. brightness of the 9 points	CS1000	



White V-T Curve

【White Chromaticity Range】

x	y
0.26	0.34
0.26	0.28
0.27	0.26
0.33	0.26
0.36	0.31
0.36	0.38
0.35	0.39
0.29	0.39



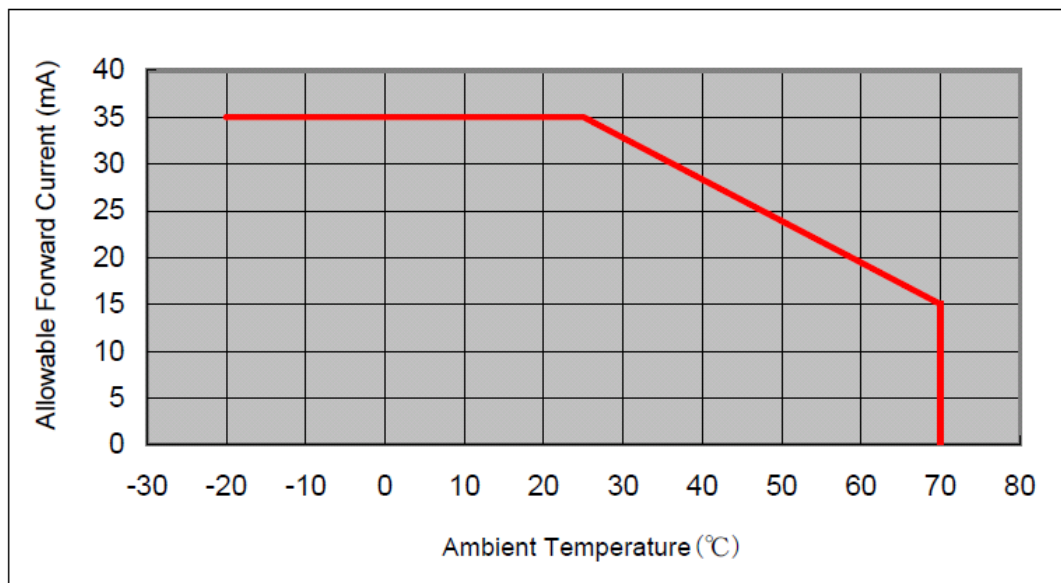
5 BACKLIGHT SPECIFICATION

5.1 LED DRIVING CONDITIONS

Item	Symbol	Condition	Rating			Unit	Applicable Terminal
			Min	Typ	Max		
Supply voltage	VBL	VDD=3.0~3.6V	10.8	12.0	13.2	V	VBL
Input Voltage	VIP			0	-	VDD	V
	VIPH	VDD=3.3V	1.4	-	VDD	V	
	VIPL		0	-	0.2	V	
Pull down resistor value	Rpd2		300	500	700	kΩ	
Operating current	IBL	brightness control ON duty=100%	-	80	160	mA	VBL
Estimated Life of LED	LL	Ta= 25°C Note	-	(50,000)	-	hr	

Note:

- The lifetime of the LED is defined as a period till the brightness of the LED decreases to the half of its initial value.
- This figure is given as a reference purpose only, and not a guarantee.
- This figure is estimated for an LED operating alone.
The performance of an LED may differ when assembled as a monitor together with a TFT panel due to different environmental temperature.
- Estimated lifetime could vary on a different temperature and usually higher temperature could reduce the life significantly.



6 QUALITY ASSURANCE SPECIFICATION

6.1 DEFECTIVE DISPLAY AND SCREEN QUALITY

Observed TFT-LCD monitor from front during operation with the following conditions

Driving signal	Raster Pattern (RGB in monochrome, white black)
Signal condition	VLCD: 0.6, 2.1V, 4.9V (3 Steps)
Observation Distance	30cm
Illuminance	200 to 350 lx
Backlight	VBL= 12.0V (Brightness control ON Duty = 100%)

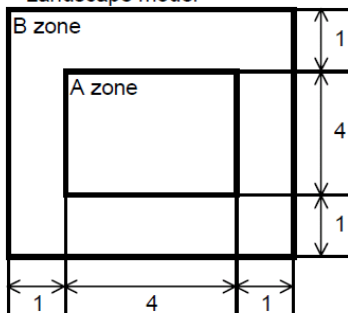
Defect item		Defect content	Criteria	
Display Quality	Line defect	Black, white or color line, 3 or more neighboring defective dots	Not exists	
	Dot defect	Uneven brightness on dot-by-dot base due to defective TFT or CF, or dust is counted as dot defect (brighter dot, darker dot) High bright dot: Visible through 2% ND filter at VLCD=4.9V Low bright dot: Visible through 5% ND filter at VLCD=4.9V Dark dot: Appear dark through white display at VLCD=2.4V	Refer to table 1	
Screen Quality	Dirt	Point-like uneven brightness (white stain, black stain etc)	Invisible through 1% ND filter	
	Foreign particle	Point-like	$0.25\text{mm} < \varphi$	N=0
			$0.20 < \varphi \leq 0.25\text{mm}$	$N \leq 2$
			$\varphi \leq 0.20\text{mm}$	Ignored
		Liner	$3.0\text{mm} < \text{length and } 0.08\text{mm} < \text{width}$ $\text{length} \leq 3.0\text{mm or width} \leq 0.08\text{mm}$	N=0 Ignored
Others		Use boundary sample for judgment when necessary		

φ (mm): Average diameter = (major axis + minor axis)/2
Permissible number: N

Table 1

Area	High bright dot	Low bright dot	Dark dot	Total	Criteria
A	0	2	2	3	Permissible distance between same color bright dots (includes neighboring dots): 3 mm or more
B	2	4	4	6	Permissible distance between same color high bright dots (includes neighboring dots): 5 mm or more
Total	2	4	4	7	

<Landscape model>



Division of A and B areas
B area: Active area
Dimensional ratio between A and B areas: 1: 4: 1
(Refer to the left figure)

6.2 SCREEN AND OTHER APPEARANCE

Testing conditions
 Illuminance 1200~2000 lx
 Observation distance 30cm

Item		Criteria	Remark
Polariser	Flaw Stain Bubble Dust Dent	Ignore invisible defect when the backlight is on.	Applicable area: Active area only
S-case		No functional defect occurs	
Connector		No functional defect occurs	

6.3 DEALING WITH CUSTOMER COMPLAINTS

6.3.1 Non-conforming analysis

Purchaser should supply Densitron with detailed data of non-conforming sample. After accepting it, Densitron should complete the analysis in two weeks from receiving the sample.

If the analysis cannot be completed on time, Densitron must inform the purchaser.

6.3.2 Handling of non-conforming displays

If any non-conforming displays are found during customer acceptance inspection which Densitron is clearly responsible for, return them to Densitron.

Both Densitron and customer should analyse the reason and discuss the handling of non-conforming displays when the reason is not clear.

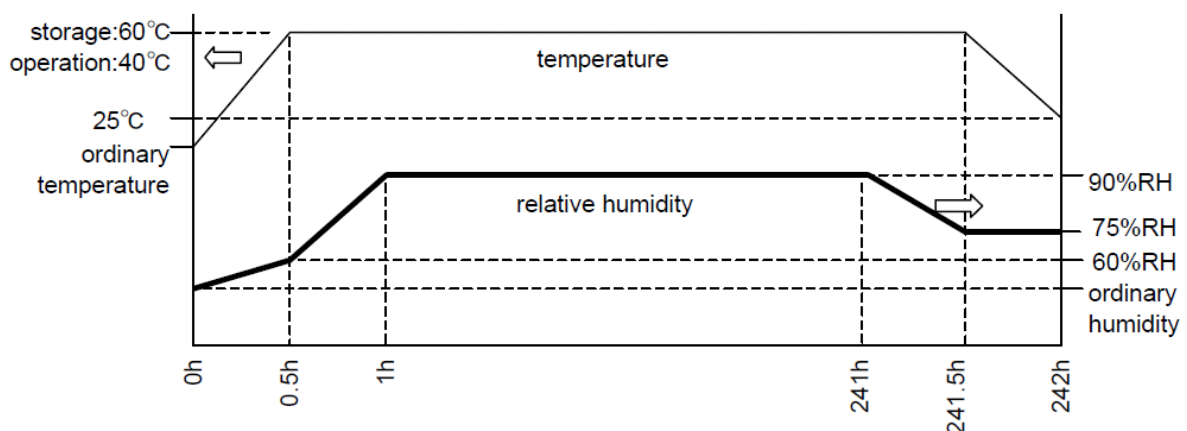
Equally, both sides should discuss and come to agreement for issues pertaining to modification of Densitron quality assurance standard.

7 RELIABILITY SPECIFICATION

7.1 RELIABILITY TESTS

Test Item		Test Condition	Number of failures/ number of examinations
Durability Test	High Temperature Storage	Ta= 80°C 240h	0/3
	Low Temperature Storage	Ta=-30°C 240h	0/3
	High Temperature & High Humidity Storage	Ta= 60°C, RH= 90% Non condensing 240h	0/3
	High Temperature Operation	Tp= 70°C 240h	0/3
	Low Temperature Operation	Tp= -20°C 240h	0/3
	High Temperature & Humidity Operation	Tp= 40°C RH= 90% 240h Non condensing	0/3
	Thermal Shock Storage	-30↔ 80°C (30 min/ 30min) 100cycles	0/3
Mechanical Environmental Test	Electrostatic Discharge Test (non operation)	Confirms to EIAJ ED-4701/300 C= 200 pF, R= 0 Ω, V= ±200V Each 3 times of discharge on and power supply and other terminals.	0/3
	Surface Discharge Test (non operation)	C= 250 pF, R= 100 Ω, V=± 12kV Each 5 times of discharge in both polarities on the centre of screen with the case grounded.	0/3
	Vibration test	Total amplitude 1.5 mm, f= 10~55 Hz, X,Y,Z directions for each 2 hours.	0/3
	Impact test	Use original jig and make an impact with peak acceleration of 1000 m/s ² for 6 ms with half sine-curve at 3 times to each X, Y, Z directions in conformance with JIS 60068-2-27-1995	0/3
Packing Test	Packing Vibration-Proof Test	Acceleration of 19.6 m/s ² with frequency of 10 → 55→ 10 Hz, X, Y, Z direction for each 30 minutes.	0/1 Packing
	Packing Drop Test	Drop from 75 cm high. 1 time to each 6 surfaces, 3 edges, 1 corner	0/1 Packing

Note: Ta=ambient temperature Tp= Panel temperature



8 HANDLING PRECAUTIONS

Safety

If the LCD panel breaks, be careful not to get the liquid crystal fluid in your mouth or in your eyes.

If the liquid crystal touches your skin or clothes, wash it off immediately using soap and plenty of water.

Mounting and Design

Place a transparent plate (e.g. acrylic, polycarbonate or glass) on the display surface to protect the display from external pressure. Leave a small gap between the transparent plate and the display surface.

When assembling with a zebra connector, clean the surface of the pads with alcohol and keep the surrounding air very clean.

Design the system so that no input signal is given unless the power supply voltage is applied.

Caution during LCD cleaning

Lightly wipe the display surface with a soft cloth soaked with Isopropyl alcohol, Ethyl alcohol or Trichlorotrifluoroethane.

Do not wipe the display surface with dry or hard materials that will damage the polariser surface.

Do not use aromatic solvents (toluene and xylene), or ketonic solvents (ketone and acetone).

Caution against static charge

As the display uses C-MOS LSI drivers, connect any unused input terminal to VDD or VSS.

Do not input any signals before power is turned on. Also, ground your body, work/assembly table and assembly equipment to protect against static electricity.

Packaging

Displays use LCD elements, and must be treated as such. Avoid strong shock and drop from a height.

To prevent displays from degradation, do not operate or store them exposed directly to sunshine or high temperature/humidity.

Caution during operation

It is indispensable to drive the display within the specified voltage limit since excessive voltage shortens its life. Direct current causes an electrochemical reaction with remarkable deterioration of the display quality. Give careful consideration to prevent direct current during ON/OFF timing and during operation. Response time is extremely delayed at temperatures lower than the operating temperature range while, at high temperatures, displays become dark. However, this phenomenon is reversible and does not mean a malfunction or a display that has been permanently damaged. If the display area is pushed on hard during operation, some graphics will be abnormally displayed but returns to a normal condition after turning off the display once. Even a small amount of condensation on the contact pads (terminals) can cause an electro-chemical reaction which causes missing rows and columns. Give careful attention to avoid condensation.

Storage

Store the display in a dark place where the temperature is 25°C ± 10°C and the humidity below 50%RH. Store the display in a clean environment, free from dust, organic solvents and corrosive gases.

Do not crash, shake or jolt the display (including accessories).

Product No.	DBC-64048057-1B0	REV. 1.1
-------------	------------------	----------

Page	25 / 25
------	---------