

Thermoplastic Insulating Washers / Mica and Mylar Wafers

G9811 = Product group; Product group discount G 98 1_

| Part Nr. | Part description |
|----------|-----------------------------------|
| IN100SW | Insulating Washer 7,1mm TO3+TOP3 |
| IN126SW | Insulating Washer 8mm TO126 |
| IN220SW | Insulating Washer 6mm TO220 Black |

FISCHER Thermoplastic Insulating Washers

Colour: Black
Series: IN_SW

IN100SW, IN126SW
Insulating Washer for TO3/TOP3 and TO126

Technical Specifications

Material:Thermoplastic
Dielectric Strength:> 38kV/mm
Shape Retention:-10...+200°C
Flammability Class:According to UL94V-0
Colour:Black

IN220SW
Insulating Washer for TO220

Technical Specifications

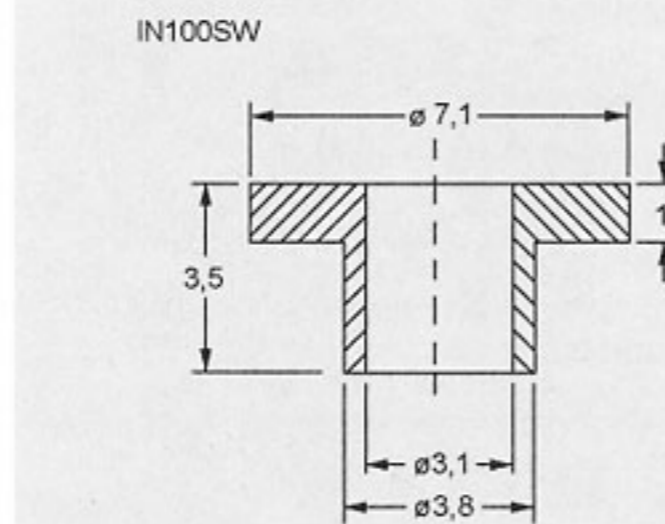
Material:Polysulfon
Dielectric Strength:> 60kV/mm
Shape Retention:-50...+190°C
Flammability Class:According to UL94V-0
Colour:Black

Terms of Delivery

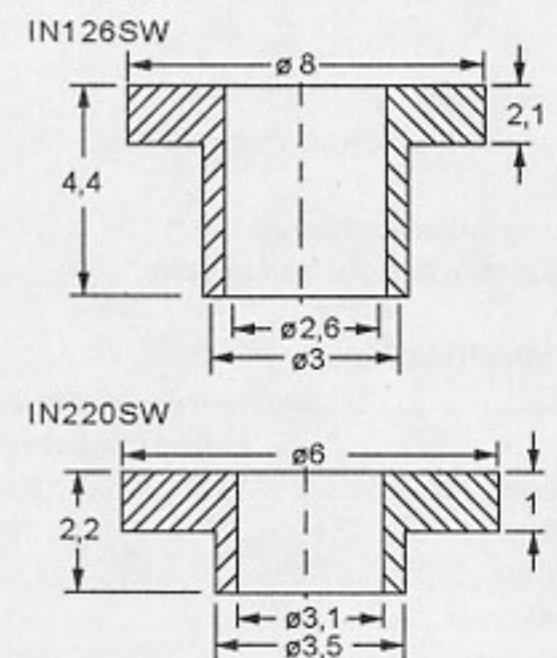
Minimum order quantity: 1 PKU = 100 pieces

Manufacturer: **fischer**
elektronik

<http://www.fischerelektronik.de>



IN100SW



IN126SW, IN220SW

G9831 = Product group; Product group discount G 98 3_

| Part Nr. | Part description |
|-----------|-----------------------|
| GS1-TO3 | Mica Wafer for TO3 |
| GS4-TO220 | Mica Wafer for TO220 |
| GS-TOP3B | Mica Wafer for TOP3 |
| GS5-HC49U | Mylar Wafer for HC49U |

Mica and Mylar Wafers

Colour: Transparent
Series: GS

Features

- Heat resistant, transparent, not hygroscopic
- For insulating power semiconductors

GS1-TO3, GS4-TO220, GS-TOP3B
Mica Wafers

Technical Specifications

Dielectric Strength:2kV
Melting Point:1260...1290°C
Material Width:0,5mm

GS5-HC49U
Mylar Wafer

Technical Specifications

Dielectric Strength:9kV
Heat-Resistance:250°C
Material Width:0,127mm

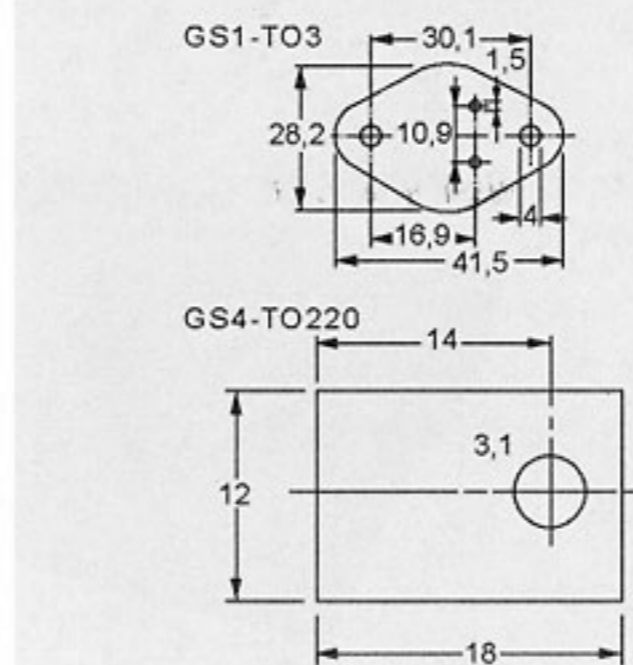
Note

You will find heat conductor pastes for optimal heat transfer in our red "Components & Devices" catalogue at product group R3211.

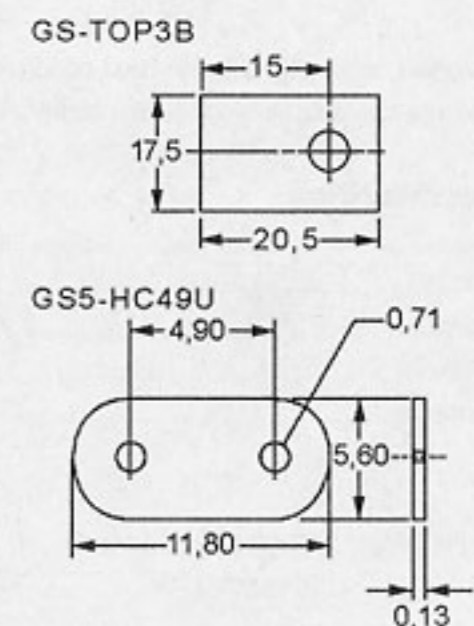
Terms of Delivery

Minimum order quantity: 1 PKU = 100 pieces

Manufacturer: Various



GS1-TO3, GS4-TO220



GS-TOP3B, GS5-HC49U