



Elektrotechnik Karl-Heinz Mauz GmbH

GM10-M10VA-06205-250-10D (Artikel-Nr. 860500)

EKULIT

SPECIFICATIONS:

Item	Unit	Specification
Rated voltage	VDC	4.5
Gear Ratio		1/250
Rotation		CW&CCW
Motor Position		All position in horizontal
Temperature	°C	0~30
Humidity	%	30~95
• Performance of Motor		
No-load Speed	rpm	23.000±10%
No-load Current	mA	55 (max.)
Stall Current	mA	350 (max.)
Stall Torque	g.cm	4.5
• Performance of Gear motor		
Output Speed	rpm	90±10%
No-load Current	mA	65 (max.)
Stall Current	mA	350 (max.)
Stall Torque	g.cm	Instant allows torque 900
Rated Torque	g.cm	450
Rated Current	mA	180 (max.)
Noise	dB	45
• The Dimension		
The Outside Shaft Length	mm	10
Shaft End Play	mm	0.05-0.30
Screw Size		M1.6*0.35
Dia of Shaft	mm	Ø3*2.5

Adresse: Felix-Wankel-Str. 35 • 73760 Ostfildern/Nellingen

Tel: +49-711/3414023

Fax: +49-711/3414024

E-mail: info@ekulit.de Web site: www.EKULIT.de

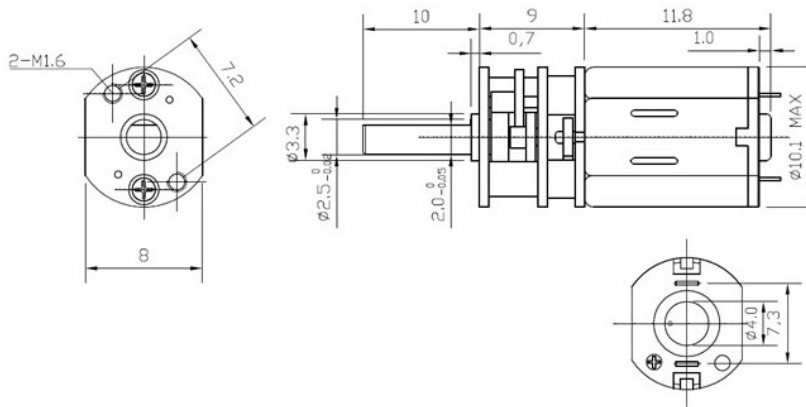
Elektrotechnik Karl-Heinz Mauz GmbH

GM10-M10VA-06205-250-10D (Artikel-Nr. 860500)

EKULIT

DIMENSIONS :

(Unit: mm)



Curve drawings:

