

D-Sub Plastic Backshells

F4774 = Product group; Product group discount F 47 7_

D-Sub Plastic Backshells Low Cost, Metallized with UNC4-40 Thread Series: CGP_GME

Features

- Two-piece hoods made of plastic, silver-chrome colour, metallized strain relief, with straight cable entry
- The cable strain relief is integrated in the hood
- Retaining screws UNC4-40

Dimensions

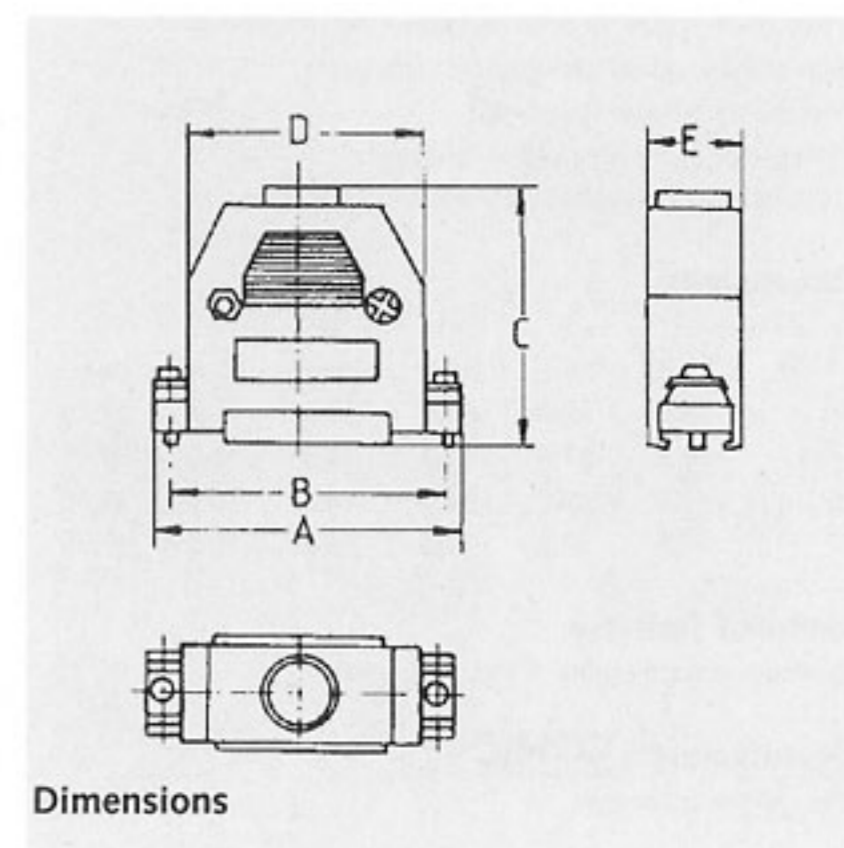
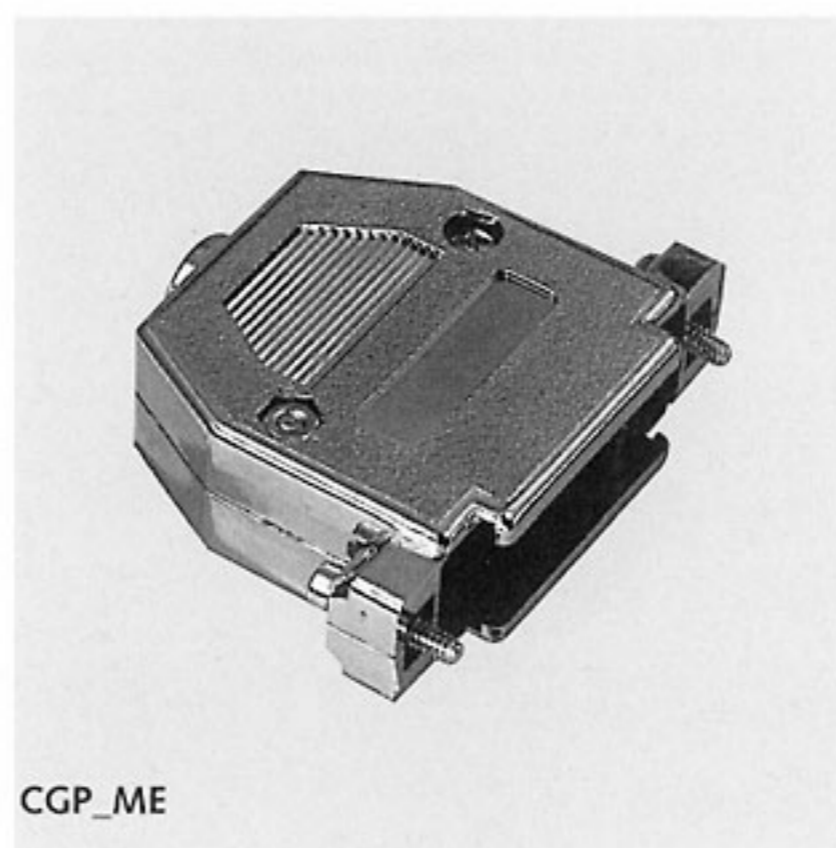
Part Nr.	Nr. of Poles	A [mm]	B [mm]	C [mm]	D [mm]	E [mm]
CGP09GME	9	31,0	25,0	40,2	20,5	16,0
CGP15GME	15	39,6	33,4	35,5	27,7	16,0
CGP25GME	25	55,0	46,5	42,0	40,8	16,5
CGP37GME	37	69,3	63,5	50,9	57,8	23,0

Terms of Delivery

Minimum order quantity: 1 PKU = 10 pieces
Delivery contents: supplied with screws

Manufacturer: Various

Part Nr.	Part description
CGP09GME	D-Sub-Hood 9-Pole Metallized
CGP15GME	D-Sub-Hood 15-Pole Metallized
CGP25GME	D-Sub-Hood 25-Pole Metallized
CGP37GME	D-Sub-Hood 37-Pole Metallized



F4775 = Product group; Product group discount F 47 7_

D-Sub Plastic Backshells Flip-Top with UNC4-40 Thread Series: CGF_S

Features

- Two-piece hood, connected backshell
- Fast assembly with snap-in shell halves
- Screwable strain relief from the exterior
- Two knurled thumb screws UNC4-40

Dimensions

Part Nr.	Nr. of Poles	A [mm]	B [mm]	C [mm]	D [mm]	E [mm]
CGF9S	9	34,2	25,0	8,5	14,1	50,0
CGF15S	15	41,5	33,3	11,4	17,6	48,5
CGF25S	25	55,0	47,0	11,7	16,1	48,5

Terms of Delivery

Minimum order quantity: 1 PKU = 10 pieces
Delivery contents: Complete with screws

Manufacturer: Various

Part Nr.	Part description
CGF9S	D-Sub-Hood 9-Pole Flip-Top
CGF15S	D-Sub-Hood 15-Pole Flip-Top
CGF25S	D-Sub-Hood 25-Pole Flip-Top

