

# Si-General Purpose Diodes / Si-General Purpose Diode Arrays

**V1335** = Product group; Product group discount V 13 3\_

## Si-General Purpose Diodes

Packing Style: Taped

Series: 1N\_, BAV\_

Case: DO35

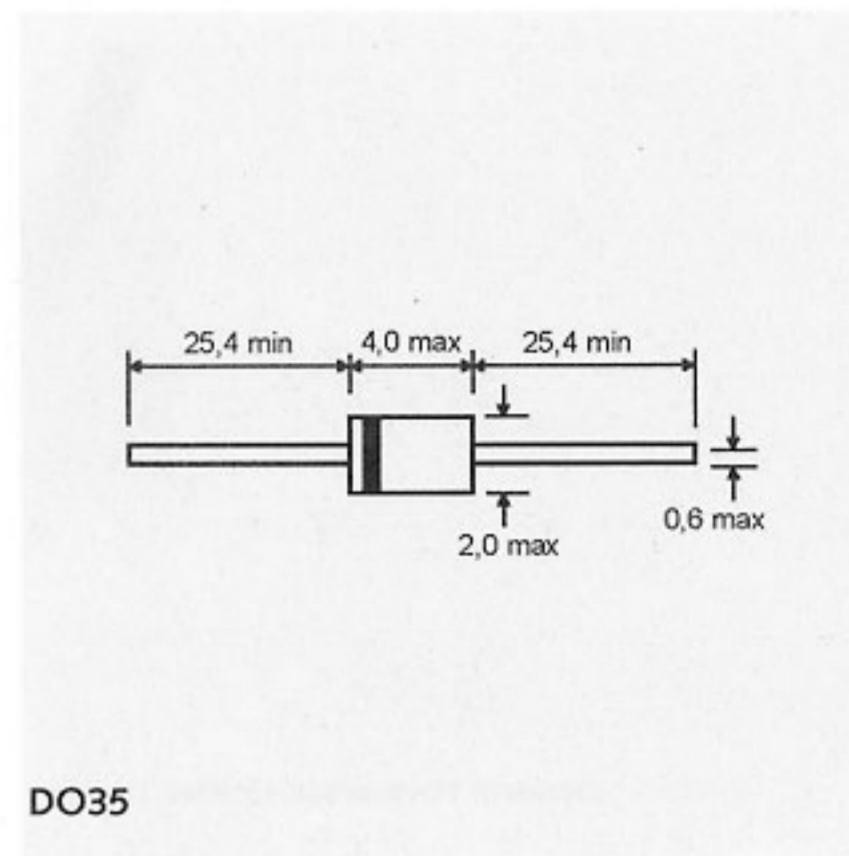
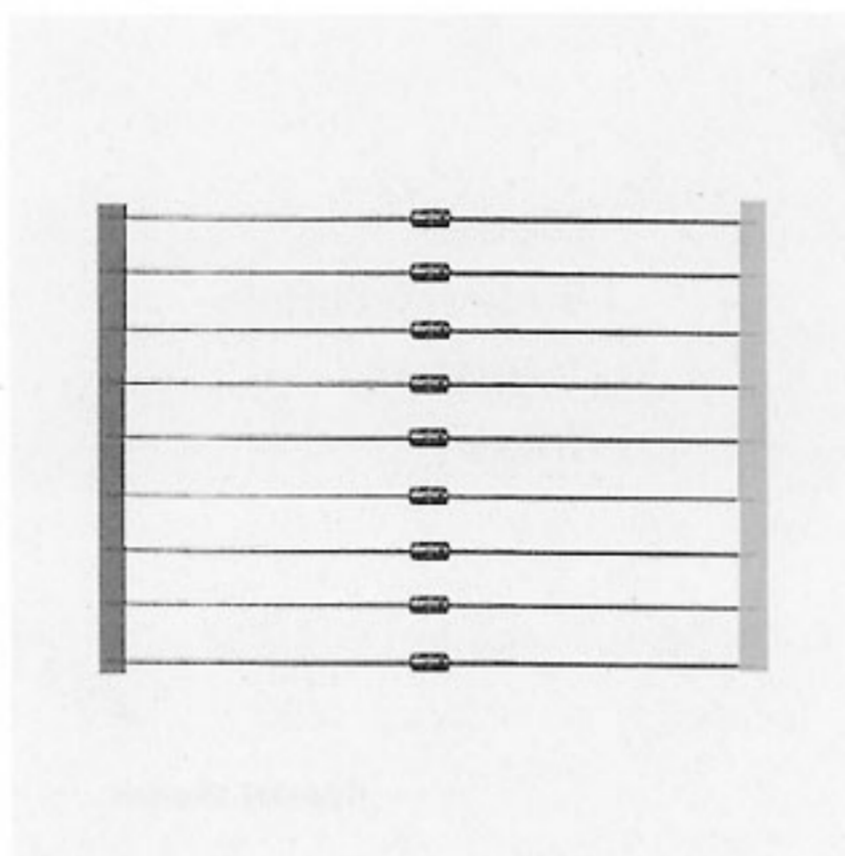
Part Nr.	Part description
1N4148	Si-Diode 75V 150mA DO35
1N4448	Si-Diode 75V 150mA DO35
BAV19	Si-Diode 120V 200mA DO35
BAV20	Si-Diode 200V 200mA DO35
BAV21	Si-Diode 250V 200mA DO35

### Terms of Delivery

Minimum order quantity: please see price list column "MOQ".

**Manufacturer:** Various

If you have preference for a particular manufacturer, please inquire before placing your order.



DO35

**V1355** = Product group; Product group discount V 13 5\_

## DIOTEC (DIO) Si-General Purpose Diode Arrays

Series: DAN\_, DAP\_

Case: SIP

Part Nr.	Part description
DAN401	4x1N4148 CC 80V 100mA SIP5
DAN803	8x1N4148 CC 80V 100mA SIP9
DAP401	4x1N4148 CA 80V 100mA SIP5
DAP803	8x1N4148 CA 80V 100mA SIP9

### Technical Specifications

Part Nr.	$U_{RRM}$ [V]	$U_F$ [V]	$I_{F(AV)}$ [mA]	$I_R$ [nA]	$T_j$ [°C]
DAN401	80	1,0	100	25	-50...+150
DAN803	80	1,0	100	25	-50...+150
DAP401	80	1,0	100	25	-50...+150
DAP803	80	1,0	100	25	-50...+150

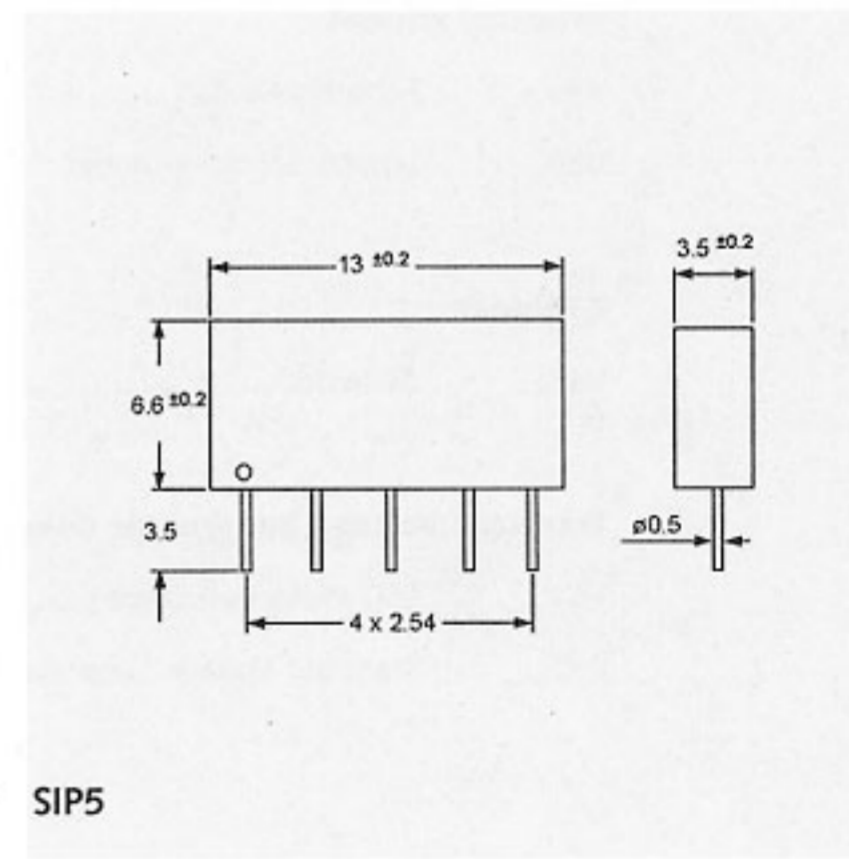
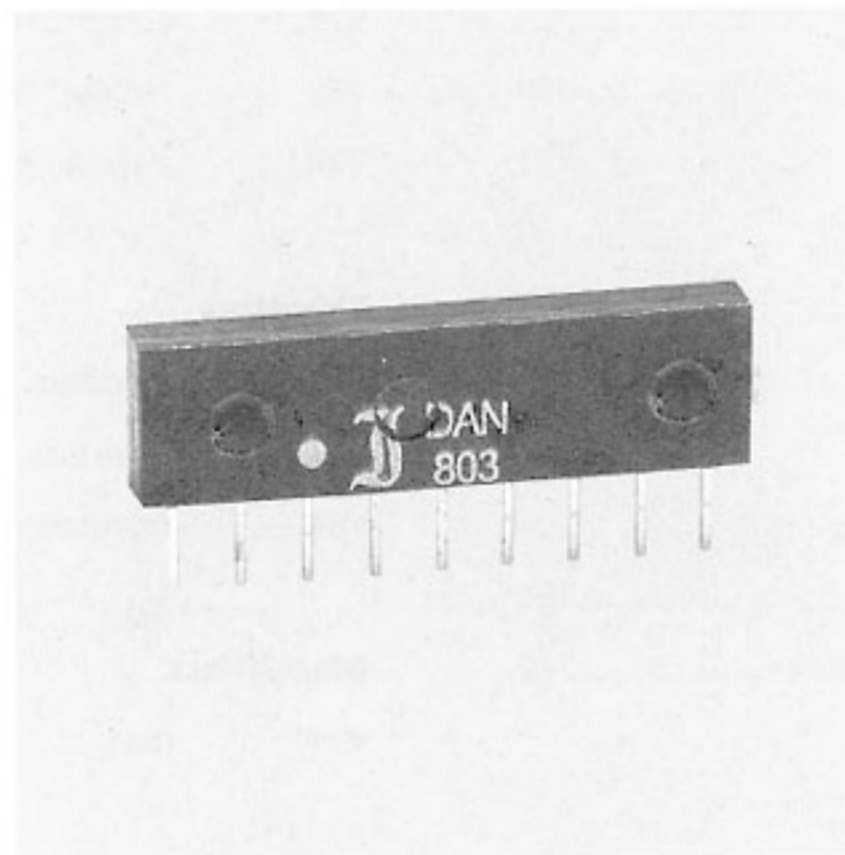
per Diode:  $U_{RRM}$  = Max. Peak Recurrent Reverse Voltage,  $U_F$  = Max. Forward Voltage,  $I_{F(AV)}$  = Max. Average Forward Current,  $I_R$  = Max. Reverse Current,  $T_j$  = Operating Temperature Range

### Terms of Delivery

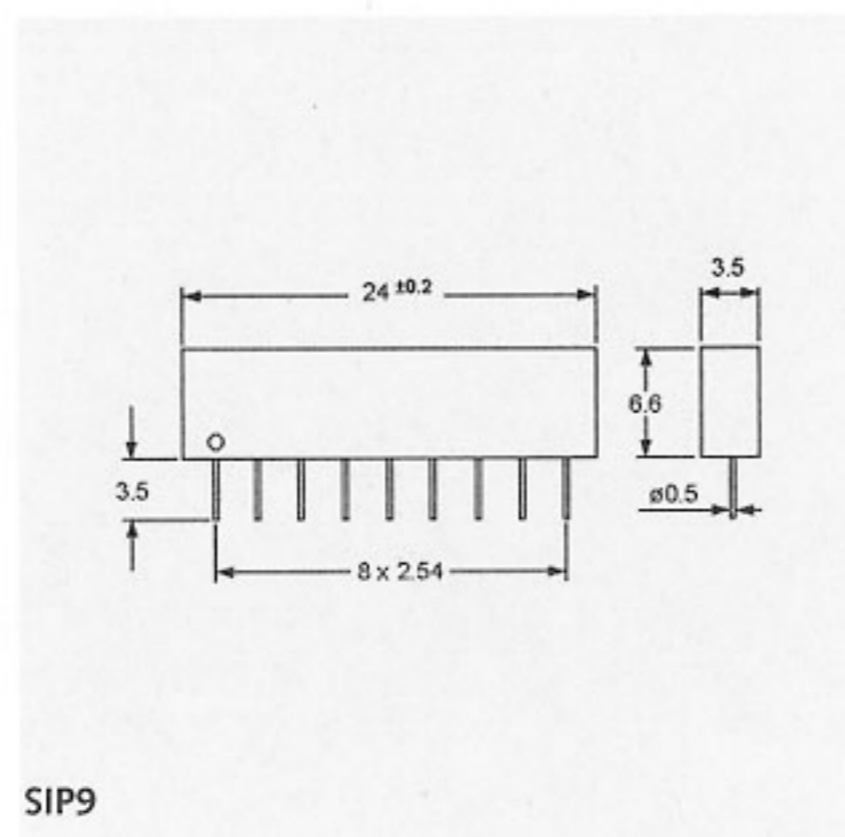
Minimum order quantity: Please see price list column "MOQ".

**Manufacturer:** Diotec

<http://www.diotec.com>



SIP5



SIP9