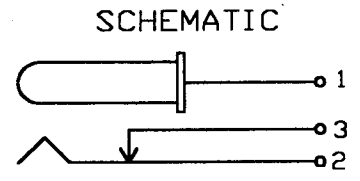
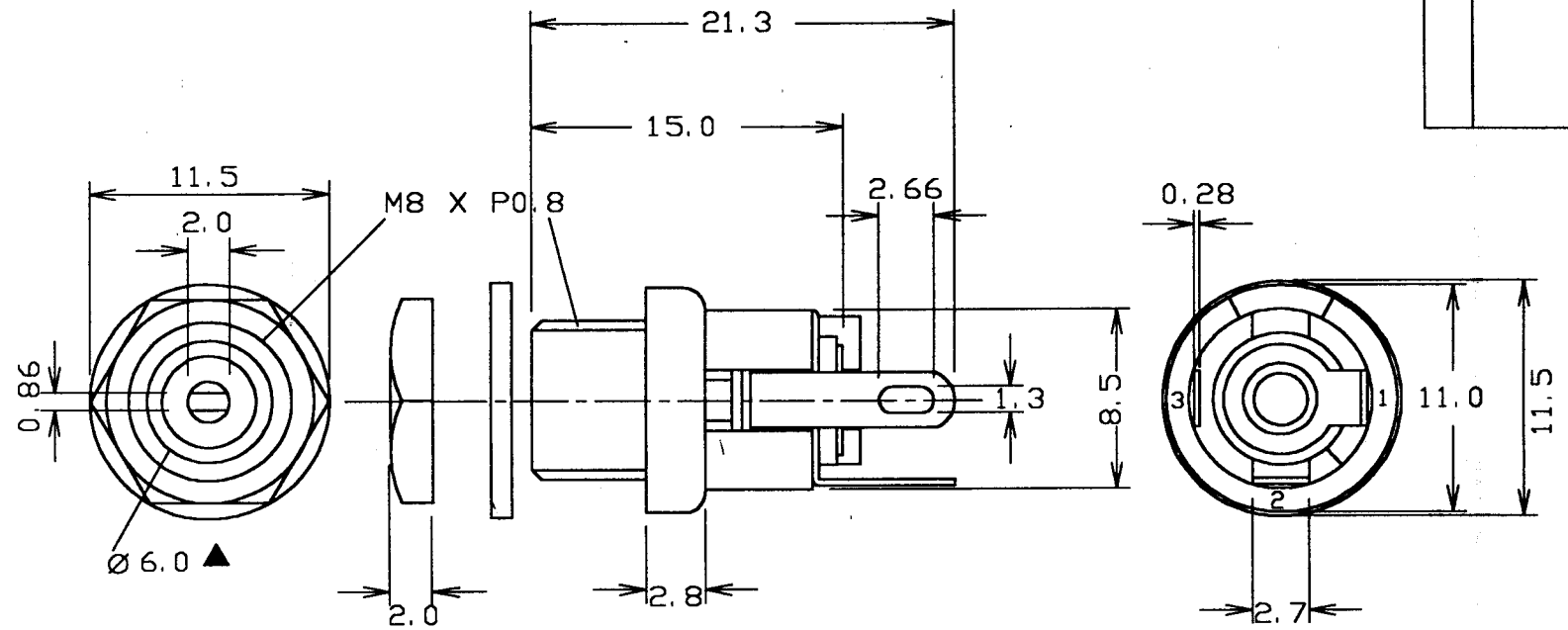


ISS	AMEND	DATE
1	1st DRAWN	28/4/92
2	▲	19/7/93
3	RATING AMEND	11/8/98
4	WASH DIM DEL	28/7/00



VARIANTS

CENTRE PIN	MODEL No.	P/No.
2.0mm	SCD-026	FC 681445
2.5mm	SCD-026A	FC 681446

Tolerance
 NO DEC. PLACE ± 0.50
 1 DEC. PLACE ± 0.15
 2 DEC. PLACE ± 0.10
 DIA. HOLES ± 0.10
 ANGLES ± 1/2°
 UNLESS OTHERWISE STATED

RATED DC 12V. 5A.

WHERE USED F.R.
 SCALE N.T.S.

DIMENSIONS IN MILLIMETERS UNLESS OTHERWISE STATED. WORK TO DIMENSIONS. DO NOT SCALE DRAWING. 3rd ANGLE PROJECTION. REMOVE BURRS. IF IN DOUBT ASK.

Cliff Electronic Components, Inc. 4876 East Second Street, Benicia, CA 94510 USA Tel: (707) 746 8090 Fax: (707) 746 8092	MATERIAL BRASS / PBT	TITLE DC POWER JACK SCD-026	
	FINISH NI PLATED / Ag PLATED / AS MOULDED	DRWG. No. FC 681445	
DRAWN C.A.M.J.	APPD. RWT	FORM: A4DRWGH	