

SMD Si-General Purpose Diodes / Si-Rectifier Diodes

V1378 = Product group; Product group discount V 13 7_

SMD Si-General Purpose Diodes

Series: BAS_, BAV_, BAW_
Case: SOT23

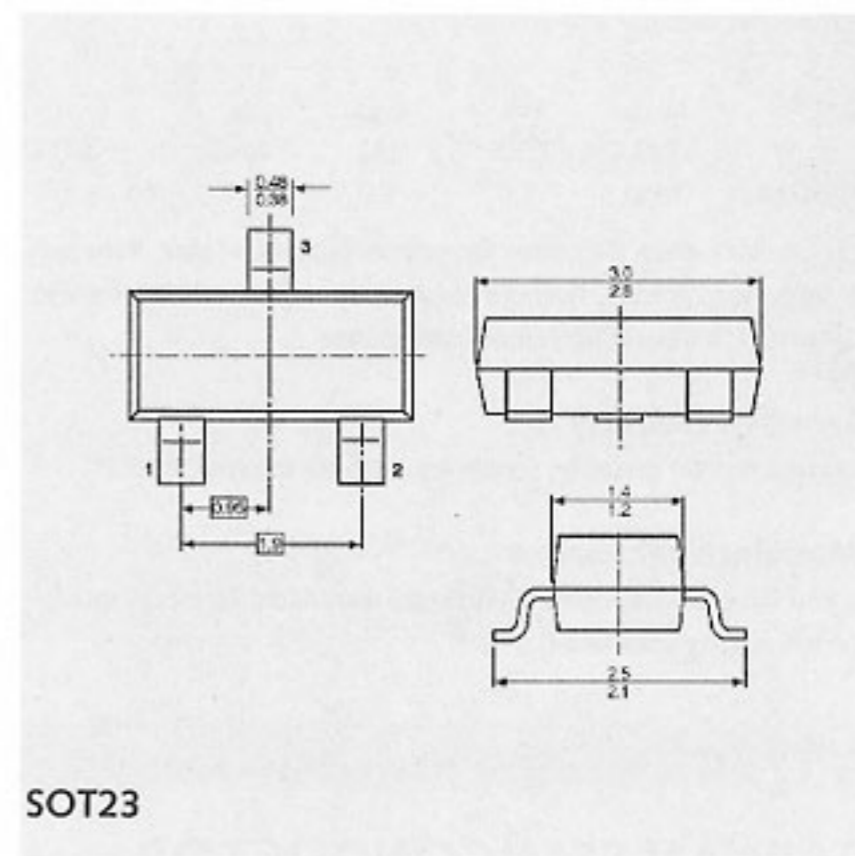
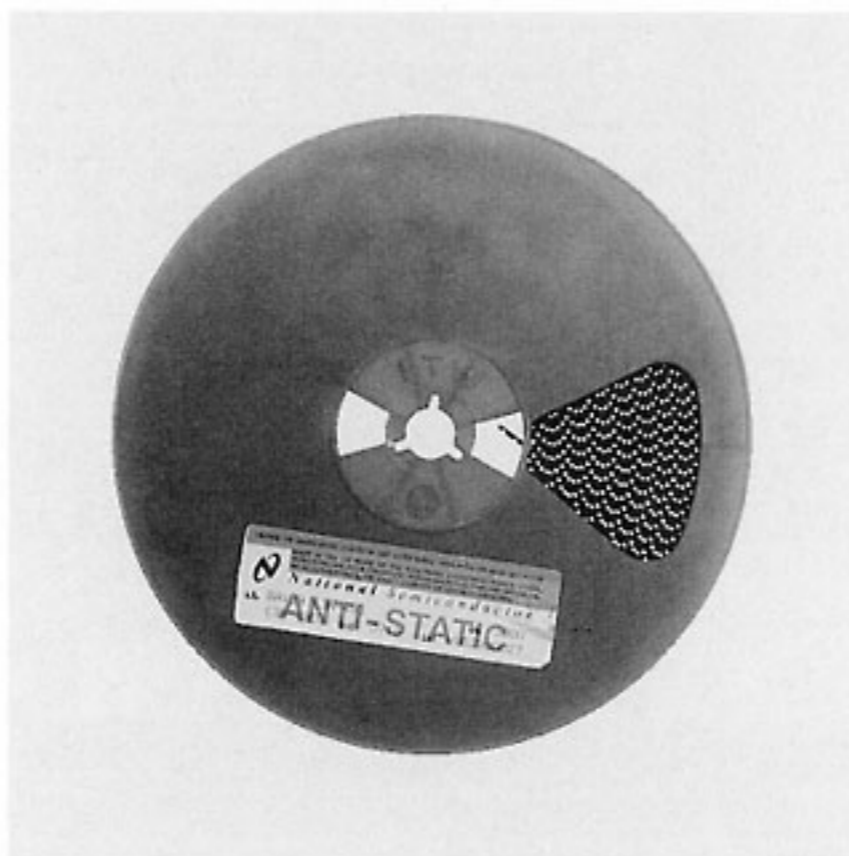
Terms of Delivery

Minimum order quantity: please see price list column "MOQ".
Form of delivery: orders of less than 3000 pieces: 500 pieces on tape segment without leader tape and reel; orders of 3000 pieces: delivery on reel if requested.

Manufacturer: Various

If you have preference for a particular manufacturer, please inquire before placing your order.

Part Nr.	Part description
BAS16	SMD Si-Diode 75V 200mA SOT23
BAS19	SMD Si-Diode 100V 200mA SOT23
BAS20	SMD Si-Diode 150V 200mA SOT23
BAS21	SMD Si-Diode 200V 200mA SOT23
BAV70	2xSMD Si-Diode 70V 200mA SOT23
BAV99	2xSMD Si-Diode 70V 200mA SOT23
BAW56	2xSMD Si-Diode 70V 200mA SOT23



SOT23

V1731 = Product group; Product group discount V 17 3_

Si-Rectifier Diodes 1A

Packing Style: Taped
Series: 1N40_P
Case: DO41

Technical Specifications

- The plastic conforms to UL94V-0
- Max. solderability 250°C/10s

Part Nr.	U_{RRM} [V]	U_F [V]	$I_{F(AV)}$ [A]	I_R [μA]	T_j [°C]
1N4001P	50	1,0	1,0	5,0	-65...+150
1N4003P	200	1,0	1,0	5,0	-65...+150
1N4004P	400	1,0	1,0	5,0	-65...+150
1N4005P	600	1,0	1,0	5,0	-65...+150
1N4007P	1000	1,0	1,0	5,0	-65...+150

U_{RRM} = Max. Peak Recurrent Reverse Voltage, U_F = Max. Forward Voltage, $I_{F(AV)}$ = Max. Average Forward Current, I_R = Max. Reverse Current, T_j = Operating Temperature Range

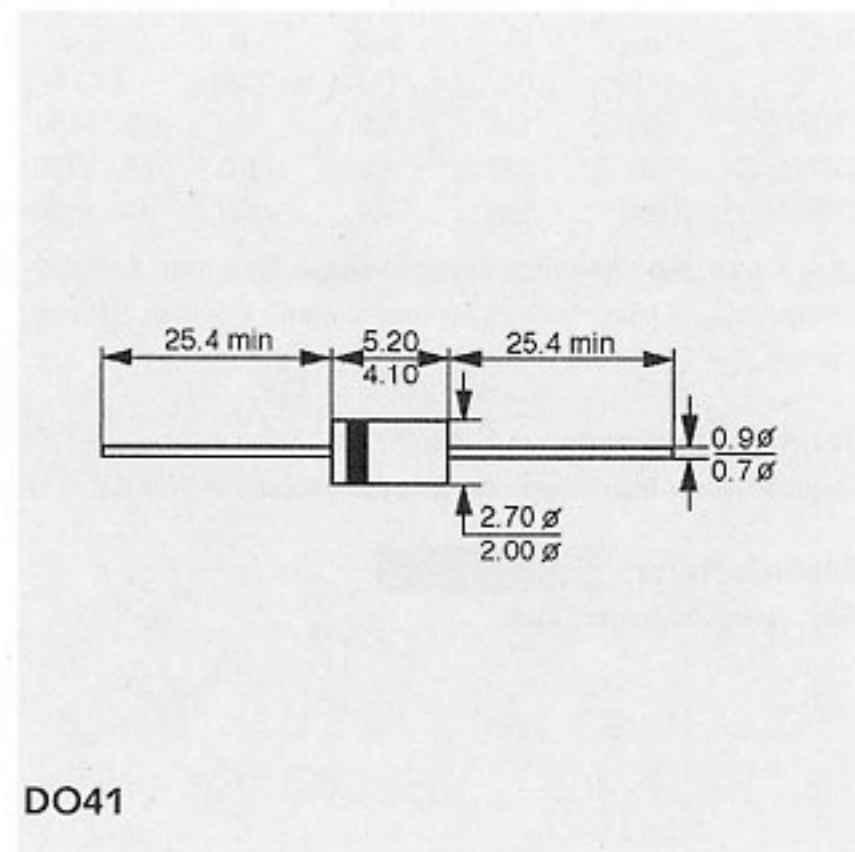
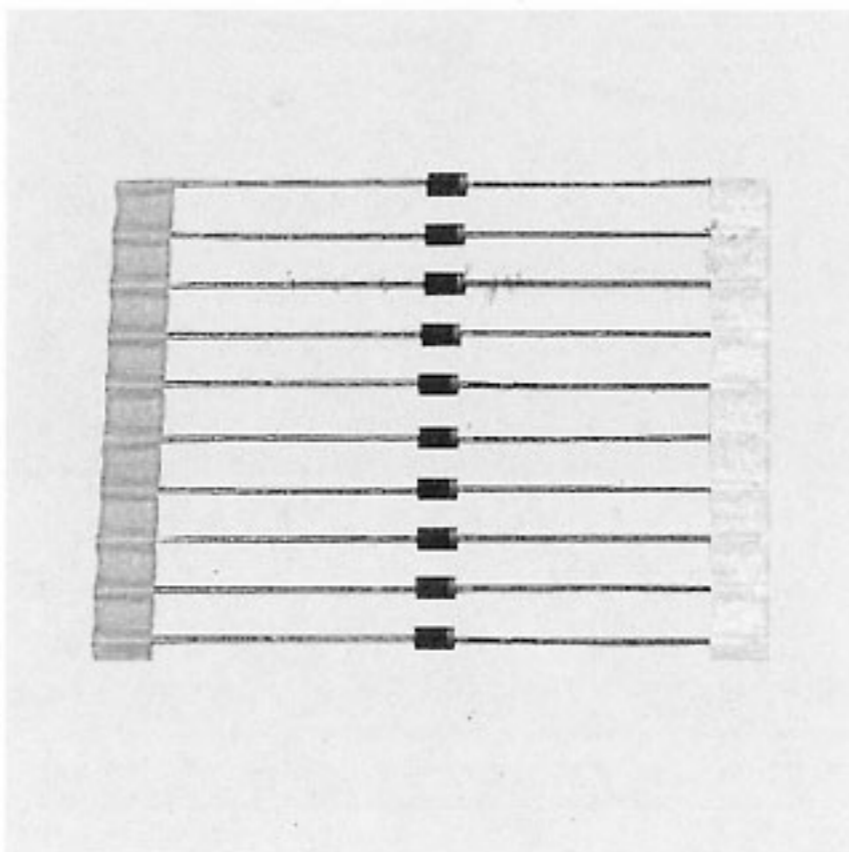
Terms of Delivery

Minimum order quantity: please see price list column "MOQ".

Manufacturer: Various

If you have preference for a particular manufacturer, please inquire before placing your order.

Part Nr.	Part description
1N4001P	Si-Rectifier 50V 1A DO41
1N4003P	Si-Rectifier 200V 1A DO41
1N4004P	Si-Rectifier 400V 1A DO41
1N4005P	Si-Rectifier Diode 600V 1A DO41
1N4007P	Si-Rectifier 1000V 1A DO41



DO41