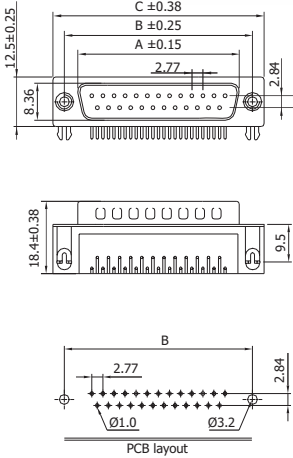
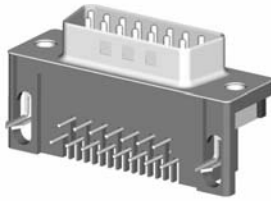


### 50-HDN-M

footprint 8.08



#### male dimensions

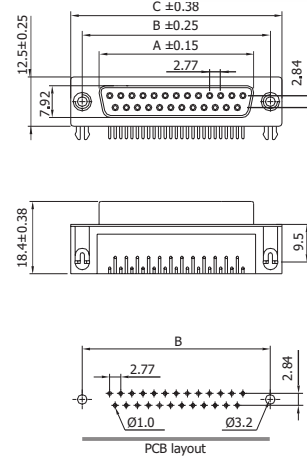
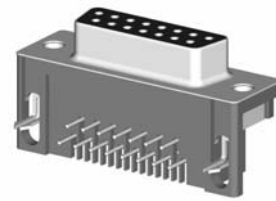
poles	09	15
A	16.92	25.25
B	24.99	33.32
C	30.81	39.14

poles	25	37
A	38.96	55.42
B	47.04	63.50
C	53.04	69.32

available pole no.: 09, 15, 25, 37

### 50-HDN-F

footprint 8.08



#### female dimensions

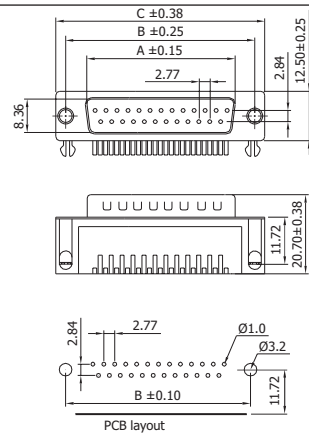
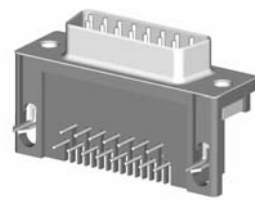
poles	09	15
A	16.33	24.66
B	24.99	33.32
C	30.81	39.14

poles	25	37
A	38.38	54.83
B	47.04	63.50
C	53.04	69.32

available pole no.: 09, 15, 25, 37

### 50-HEN-M

footprint 10.3



#### male dimensions

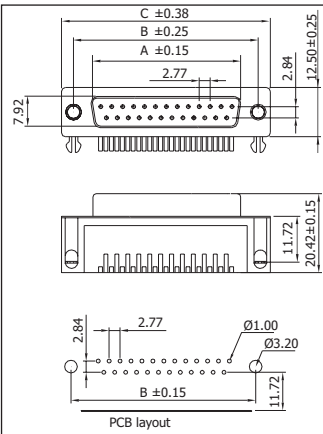
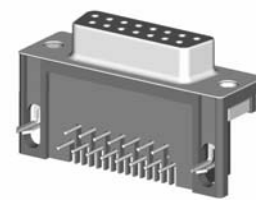
poles	09	15
A	16.92	25.25
B	24.99	33.32
C	30.81	39.14

poles	25	37
A	38.96	55.42
B	47.04	63.50
C	53.04	69.32

available pole no.: 09, 15, 25, 37

### 50-HEN-F

footprint 10.3



#### female dimensions

poles	09	15
A	16.33	24.66
B	24.99	33.32
C	30.81	39.14

poles	25	37
A	38.38	54.83
B	47.04	63.50
C	53.04	69.32

available pole no.: 09, 15, 25, 37

### technical data

contact material	: copper alloy
insulator	: PBT
flammability	: UL 94V-0
shell	: metal iron with tin plated
dielectric strength	: 1000V AC
current rating	: 5A
insulation resistance	: 5000Meg Ohm min.
contact resistance	: 30m Ohm max
operating temperature	: -40°C to +85°C

### plating

00=	flash gold
30=	selective gold 0.75µm
60=	selective flash gold

### mounting part for PCB

please see page G13

### mounting part for counterpart

please see page G13

### order code



other materials are available, please contact us