



Sensor technology PSEN[®], control and signal devices PIT[®]

PILZ
THE SPIRIT OF SAFETY

- ▶ Devices for position monitoring ▶ Safety switches
- ▶ Safety gate systems ▶ Light curtains ▶ Safety laser scanners
- ▶ Safe camera systems ▶ Control and signal devices



▶ Coded safety switch PSENcode

The non-contact, coded safety switch PSENcode is used both for monitoring the position of guards in accordance with EN 60947-5-3 and simple position monitoring.



PSEN cs5.11p



PSEN cs4.2p



PSEN cs1.1p



PSEN cs low profile actuator

Highest level of manipulation protection in the smallest space

With PSENcode you have the smallest coded safety switch with integrated evaluation and built-in manipulation protection, thanks to RFID technology.

The unique, fully coded version of PSENcode has the highest level of manipulation protection: the sensor will only accept a single actuator (key lock principle).

The coded PSENcode is accepted by other PSENcode actuators. The fully coded PSENcode only accepts one actuator. In contrast to the unique, fully coded safety switch, it's possible to teach-in a new actuator on the switch retrospectively.

The most low profile actuator on the market

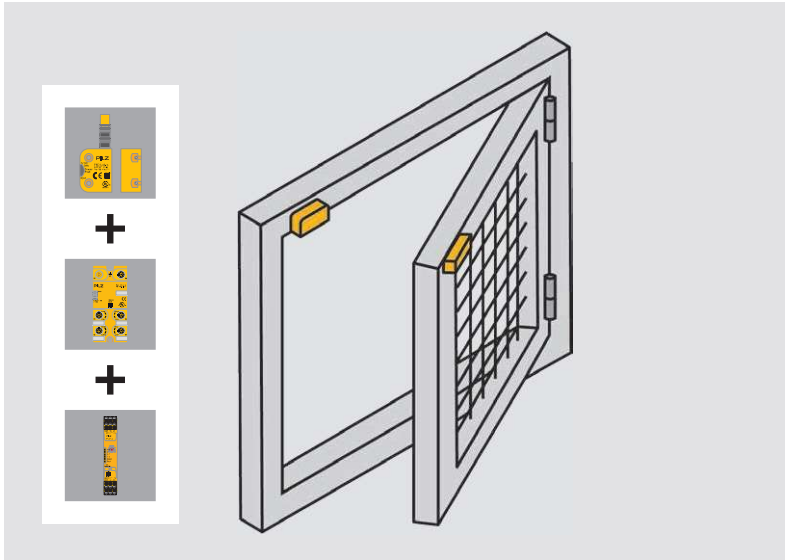
Combine the PSENcode in the slimline or compact design with the PSEN cs low profile actuator. With its height of only 3 mm, it is perfectly suited for applications where space is at a premium.

Type code for PSENcode

PSEN cs2.13p

Product area Pilz SENSors	Coding/design	Additional functions	Connection type
Product group cs – PSENcode	1.1 Coded, large design 2.1 Fully coded, large design 2.2 Unique, fully coded, large design 3.1 Coded, compact design 4.1 Fully coded, compact design 4.2 Unique, fully coded, compact design 5.1 Coded, slimline design 6.1 Fully coded, slimline design 6.2 Unique, fully coded, slimline design	– Without ATEX 1 With magnetic latching 3 With ATEX 9 With max. 3 actuators	a ▶ Cable, 5 m ¹⁾ b ▶ Cable, 10 m ¹⁾ n ▶ Connector, M12, 5-pin p ▶ Connector, M12, 8-pin (large design)¹⁾ ▶ Connector, M8, 8-pin (compact, slimline design)¹⁾ M12 ▶ Connector, M12, 8-pin (compact, slimline design) ¹⁾
Operation ▶ Non-contact, coded ▶ Transponder (RFID) ▶ With safe semiconductor outputs			

¹⁾ Series connection integrated within the sensor, SDD-capable as of version 2.0



Components for your safe solution	Order number
Sensor: PSEN cs4.2 M12, 8-pin, 0,15 m/PSEN cs4.1	541 209
Connection: PSEN cable, M12, 8-pin, straight, connector, M12, 8-pin, straight, connector, 5 m	540 341
Decentralised periphery: PDP67 F 4 code	773 603
Connection: PDP67 cable, M12, 8-pin, straight, connector, 30 m	380 704
Evaluation device: PNOZ s3	751 103

The optimum solution: monitoring swing door using the safety switch PSEncode and safety relay PNOZsigma.

Your benefits at a glance

- ▶ Highest level of safety and plant availability
- ▶ Highest manipulation protection offers maximum freedom in installation
- ▶ Simple project configuration, as the unit is highly versatile:
 - Insensitive to shock and vibration
 - Can be used with heavy soiling and strict cleaning requirements of IP67/IP6K9K
 - Flexible installation
- ▶ Economical:
 - Space-saving installation due to the compact housing
 - Highest level of safety even when connected in series with PSEncode, PSENSlock and PSENSgate



Simple implementation saves time and money

Thanks to integrated evaluation and standard interfaces, PSEncode is open to products from other manufacturers. It fits perfectly into your environment and can be used to upgrade your plant.

Fewer service calls, greater availability

High machine availability is achieved thanks to fast fault diagnostics with Safety Device Diagnostics (see page 14).



High flexibility due to multiple actuation directions (PSEN cs1/PSEN cs5), multiple mounting directions (PSEN cs3/PSEN cs5) for the actuators and compact/slimline design (PSEN cs3/PSEN cs5).

Keep up-to-date on coded safety switches PSEncode:

Webcode: web150412

Online information at www.pilz.com

▶ Selection guide – PSENcode

Coded safety switch PSENcode with 8-pin connector and integrated series connection, SDD-capable



Common features

- ▶ Safety switch for monitoring the position of movable guards
- ▶ Certified for applications up to PL e of EN ISO 13849-1, up to SIL CL 3 of EN/IEC 62061
- ▶ Integrated evaluation and standard interfaces (OSSD) for connection to evaluation devices from Pilz or other manufacturers
- ▶ Series connection with PSENcode, PSENSlock and PSENSgate approved up to PL e of EN ISO 13849-1, up to SIL CL 3 of EN/IEC 62061
- ▶ Protection type:
 - Cable version: IP6K9K
 - Connector version: IP67
- ▶ Diagnostic interface with 3 LEDs
- ▶ Outputs: 2 safety outputs and 1 signal output
- ▶ Drill hole spacing:
 - PSEN cs3/PSEN cs4: 22 mm
 - PSEN cs5/PSEN cs6: 22 mm
- ▶ Typical operating distance:
 - PSEN cs1/PSEN cs2: 21 mm
 - PSEN cs3/PSEN cs4: 11 mm
 - PSEN cs5/PSEN cs6: 11 mm, 5 mm, 9 mm (M8 connector) or 6 mm (M12 connector)
- ▶ Magnetic latching PSEN cs5.11/PSEN cs6.11/PSEN cs6.21: 30 N



PSEN cs1.1p



PSEN cs4.2p



PSEN cs5.11

Type (switch)	Type of coding
▶ Large design	
PSEN cs1.1p	Coded ²⁾
PSEN cs1.13p	Coded ²⁾
PSEN cs2.1p	Fully coded ³⁾
PSEN cs2.13p	Fully coded ³⁾
PSEN cs2.2p	Unique, fully coded ⁴⁾
▶ Compact design	
PSEN cs3.1 M12/8-0.15m	Coded ²⁾
PSEN cs3.1 M12/8-1.5m	Coded ²⁾
PSEN cs3.1a	Coded ²⁾
PSEN cs3.1b	Coded ²⁾
PSEN cs3.1p	Coded ²⁾
PSEN cs4.1 M12/8-0.15m	Fully coded ³⁾
PSEN cs4.1a	Fully coded ³⁾
PSEN cs4.1b	Fully coded ³⁾
PSEN cs4.1p	Fully coded ³⁾
PSEN cs4.2 M12/8-0.15m	Unique, fully coded ⁴⁾
PSEN cs4.2a	Unique, fully coded ⁴⁾
PSEN cs4.2p	Unique, fully coded ⁴⁾
▶ Slimline design	
PSEN cs5.1 M12/8	Coded ²⁾
PSEN cs5.1p	Coded ²⁾
PSEN cs5.11 M12/8	Coded ²⁾
PSEN cs5.13 M12/8	Coded ²⁾
PSEN cs6.1 M12/8	Fully coded ³⁾
PSEN cs6.1p	Fully coded ³⁾
PSEN cs6.11 M12/8	Fully coded ³⁾
PSEN cs6.2 M12/8	Unique, fully coded ⁴⁾
PSEN cs6.2p	Unique, fully coded ⁴⁾
PSEN cs6.21 M12/8	Unique, fully coded ⁴⁾

Additional functions	Suitable actuator	Connection type	Certification	Order number	
				Switch	Unit ¹⁾
-	540080	Connector, M12, 8-pin	EAC, FCC ⁵⁾ , IC ⁵⁾ , TÜV, UL ⁵⁾	540050	540000
With ATEX	540080	Connector, M12, 8-pin	ATEX ⁶⁾ , EAC, electrosuisse, FCC ⁵⁾ , IC ⁵⁾ , TÜV, UL ⁵⁾	-	540005
-	540180	Connector, M12, 8-pin	EAC, FCC ⁵⁾ , IC ⁵⁾ , TÜV, UL ⁵⁾	540150	540100
With ATEX	540180	Connector, M12, 8-pin	ATEX ⁶⁾ , EAC, electrosuisse, FCC ⁵⁾ , IC ⁵⁾ , TÜV, UL ⁵⁾	-	540105
-	540180	Connector, M12, 8-pin	EAC, FCC ⁵⁾ , IC ⁵⁾ , TÜV, UL ⁵⁾	-	540200
-	541080, 540080	Connector, M12, 8-pin, pigtail, 16 cm	EAC, FCC ⁵⁾ , IC ⁵⁾ , TÜV, UL ⁵⁾	541059	541009
-	541080, 540080	Connector, M12, 8-pin, pigtail, 1.5 m	EAC, FCC ⁵⁾ , IC ⁵⁾ , TÜV, UL ⁵⁾	541064	541014
-	541080, 540080	Cable, 5 m	EAC, FCC ⁵⁾ , IC ⁵⁾ , TÜV, UL ⁵⁾	541061	541011
-	541080, 540080	Cable, 10 m	EAC, FCC ⁵⁾ , IC ⁵⁾ , TÜV, UL ⁵⁾	541062	541012
-	541080, 540080	Connector, M8, 8-pin	EAC, FCC ⁵⁾ , IC ⁵⁾ , TÜV, UL ⁵⁾	541060	541010
-	541180, 540180	Connector, M12, 8-pin, pigtail, 16 cm	EAC, FCC ⁵⁾ , IC ⁵⁾ , TÜV, UL ⁵⁾	541159	541109
-	541180, 540180	Cable, 5 m	EAC, FCC ⁵⁾ , IC ⁵⁾ , TÜV, UL ⁵⁾	541161	541111
-	541180, 540180	Cable, 10 m	EAC, FCC ⁵⁾ , IC ⁵⁾ , TÜV, UL ⁵⁾	541162	541112
-	541180, 540180	Connector, M8, 8-pin, pigtail, 14 cm	EAC, FCC ⁵⁾ , IC ⁵⁾ , TÜV, UL ⁵⁾	541160	541110
-	541180, 540180	Connector, M12, 8-pin, pigtail, 16 cm	EAC, FCC ⁵⁾ , IC ⁵⁾ , TÜV, UL ⁵⁾	541259	541209
-	541180, 540180	Cable, 5 m	EAC, FCC ⁵⁾ , IC ⁵⁾ , TÜV, UL ⁵⁾	541261	541211
-	541180, 540180	Connector, M8, 8-pin, pigtail, 14 cm	EAC, FCC ⁵⁾ , IC ⁵⁾ , TÜV, UL ⁵⁾	541260	541210
-	542083	Connector, M12, 8-pin	EAC, FCC ⁵⁾ , IC ⁵⁾ , TÜV, UL ⁵⁾	542059	542009
-	542080	Connector, M8, 8-pin	EAC, FCC ⁵⁾ , IC ⁵⁾ , TÜV, UL ⁵⁾	542050	542000
Magnetic latching	542081	Connector, M12, 8-pin	EAC, FCC ⁵⁾ , IC ⁵⁾ , TÜV, UL ⁵⁾	542051	542011
With ATEX	542085	Connector, M12, 8-pin	ATEX ⁶⁾ , EAC, electrosuisse, FCC ⁵⁾ , IC ⁵⁾ , TÜV, UL ⁵⁾	542055	542005
-	542183	Connector, M12, 8-pin	EAC, FCC ⁵⁾ , IC ⁵⁾ , TÜV, UL ⁵⁾	542159	542109
-	542180	Connector, M8, 8-pin	EAC, FCC ⁵⁾ , IC ⁵⁾ , TÜV, UL ⁵⁾	542150	542100
Magnetic latching	542181	Connector, M12, 8-pin	EAC, FCC ⁵⁾ , IC ⁵⁾ , TÜV, UL ⁵⁾	542151	542111
-	542183	Connector, M12, 8-pin	EAC, FCC ⁵⁾ , IC ⁵⁾ , TÜV, UL ⁵⁾	542259	542209
-	542180	Connector, M8, 8-pin	EAC, FCC ⁵⁾ , IC ⁵⁾ , TÜV, UL ⁵⁾	542250	542200
Magnetic latching	542181	Connector, M12, 8-pin	EAC, FCC ⁵⁾ , IC ⁵⁾ , TÜV, UL ⁵⁾	542251	542211

¹⁾ Unit comprising switch and actuator ²⁾ Coded = switch accepts any PSENcode actuator
³⁾ Fully coded = switch accepts only one PSENcode actuator, teach-in up to 8 times
⁴⁾ Unique, fully coded = switch accepts only one PSENcode actuator, no teach-in facility
⁵⁾ FCC, IC and UL certification applies only to individual components contained within the set
⁶⁾ ATEX certification applies only to individual components contained within the set



Cable selection:

From page 138

Keep up-to-date on coded safety switches PSENcode:

Webcode: web150412

Online information at www.pilz.com

▶ Selection guide – PSENcode

Coded safety switch PSENcode with 5-pin connection for PDP67 F 8DI ION



Common features

- ▶ Safety switch for monitoring the position of movable guards
- ▶ Certified for applications up to PL e of EN ISO 13849-1, up to SIL CL 3 of EN/IEC 62061
- ▶ Integrated evaluation and standard interfaces (OSSD) for connection to evaluation devices from Pilz or other manufacturers
- ▶ Series connection with PSENcode, PSENslock and PSENsgate approved up to PL e of EN ISO 13849-1, up to SIL CL 3 of EN/IEC 62061
- ▶ Protection type:
 - Cable version: IP6K9K
 - Connector version: IP67
- ▶ Diagnostic interface with 3 LEDs
- ▶ Outputs: 2 safety outputs and 1 signal output
- ▶ Drill hole spacing:
 - PSEN cs3/PSEN cs4: 22 mm
 - PSEN cs5/PSEN cs6: 22 mm
- ▶ Typical operating distance:
 - PSEN cs1/PSEN cs2: 21 mm
 - PSEN cs3/PSEN cs4: 11 mm
 - PSEN cs5/PSEN cs6: 11 mm, 5 mm, 9 mm (M8 connector) or 6 mm (M12 connector)
- ▶ Magnetic latching PSEN cs5.11/ PSEN cs6.11/PSEN cs6.21: 30 N



PSEN cs1.1n



PSEN cs3.1n



PSEN cs5.1n

Type (switch)	Type of coding
▶ Large design	
PSEN cs1.1n	Coded ²⁾
PSEN cs2.1n	Fully coded ³⁾
PSEN cs2.2n	Unique, fully coded ⁴⁾
▶ Compact design	
PSEN cs3.1n	Coded ²⁾
PSEN cs4.1n	Fully coded ³⁾
PSEN cs4.2n	Unique, fully coded ⁴⁾
▶ Slimline design	
PSEN cs5.1n	Coded ²⁾
PSEN cs6.1n	Fully coded ³⁾
PSEN cs6.2n	Unique, fully coded ⁴⁾
PSEN cs5.11n	Coded ²⁾
PSEN cs6.11n	Fully coded ³⁾
PSEN cs6.21n	Unique, fully coded ⁴⁾

Additional functions	Suitable actuator	Connection type	Certification	Order number	
				Switch	Unit ¹⁾
-	540080	Connector, M12, 5-pin	EAC, FCC ⁵⁾ , IC ⁵⁾ , TÜV, UL ⁵⁾	540053	540003
-	540180	Connector, M12, 5-pin	EAC, FCC ⁵⁾ , IC ⁵⁾ , TÜV, UL ⁵⁾	540153	540103
-	540180	Connector, M12, 5-pin	EAC, FCC ⁵⁾ , IC ⁵⁾ , TÜV, UL ⁵⁾	540253	540203
-	541080, 540080	Connector, M12, 5-pin, pigtail, 16 cm	EAC, FCC ⁵⁾ , IC ⁵⁾ , TÜV, UL ⁵⁾	541053	541003
-	541180, 540180	Connector, M12, 5-pin, pigtail, 16 cm	EAC, FCC ⁵⁾ , IC ⁵⁾ , TÜV, UL ⁵⁾	541153	541103
-	541180, 540181	Connector, M12, 5-pin, pigtail, 16 cm	EAC, FCC ⁵⁾ , IC ⁵⁾ , TÜV, UL ⁵⁾	541253	541203
-	542083	Connector, M12, 5-pin	EAC, FCC ⁵⁾ , IC ⁵⁾ , TÜV, UL ⁵⁾	542053	542003
-	542183	Connector, M12, 5-pin	EAC, FCC ⁵⁾ , IC ⁵⁾ , TÜV, UL ⁵⁾	542153	542103
-	542183	Connector, M12, 5-pin	EAC, FCC ⁵⁾ , IC ⁵⁾ , TÜV, UL ⁵⁾	542253	542203
Magnetic latching	542081	Connector, M12, 5-pin	EAC, FCC ⁵⁾ , IC ⁵⁾ , TÜV, UL ⁵⁾	542063	542013
Magnetic latching	542181	Connector, M12, 5-pin	EAC, FCC ⁵⁾ , IC ⁵⁾ , TÜV, UL ⁵⁾	542163	542113
Magnetic latching	542181	Connector, M12, 5-pin	EAC, FCC ⁵⁾ , IC ⁵⁾ , TÜV, UL ⁵⁾	542263	542213

¹⁾ Unit comprising switch and actuator ²⁾ Coded = switch accepts any PSENcode actuator


³⁾ Fully coded = switch accepts only one PSENcode actuator, teach-in up to 8 times

⁴⁾ Unique, fully coded = switch accepts only one PSENcode actuator, no teach-in facility


⁵⁾ FCC, IC and UL certification applies only to individual components contained within the set



Cable selection:

 From page 138

Keep up-to-date on coded safety switches PSENcode:

 Webcode: web150412

Online information at www.pilz.com

► Selection guide – PSENcode



Actuator for coded safety switch PSENcode



PSEN cs1.1



PSEN cs3.1



PSEN cs5.11



PSEN cs5.1 low profile glue 1 actuator



PSEN cs5.1 low profile screw 1 actuator

Type (actuator)	Additional functions	Certification	Order number Actuator
► Large design			
PSEN cs1.1	-	TÜV, EAC, UL	542 080
PSEN cs2.1	-	TÜV, EAC, UL	542 180
► Compact design			
PSEN cs3.1	-	TÜV, EAC, UL	541 080
PSEN cs4.1	-	TÜV, EAC, UL	541 180
► Slimline design			
PSEN cs5.1	-	TÜV, EAC, UL	542 080
PSEN cs5.1 M12	-	TÜV, EAC, UL	542 083
PSEN cs5.11 M12	Magnetic latching	TÜV, EAC, UL	542 081
PSEN cs5.13	For ATEX applications	TÜV, EAC, UL	542 085
PSEN cs6.1	-	TÜV, EAC, UL	542 180
PSEN cs6.1 M12	-	TÜV, EAC, UL	542 183
PSEN cs6.11 M12	Magnetic latching	TÜV, EAC, UL	542 181

Type	Features	Order number
PSEN cs5.1 low profile glue 1 actuator	Stick-on actuator, coded, height: 3 mm, switching distance: 6 mm, for use with PSENcode slimline design	542 087
PSEN cs5.1 low profile screw 1 actuator	Screw-on actuator, coded, height: 3 mm, switching distance: 6 mm, for use with PSENcode slimline design	542 088
PSEN cs6.1 low profile glue 1 actuator	Stick-on actuator, fully coded, height: 3 mm, switching distance: 6 mm, for use with PSENcode slimline design	542 187
PSEN cs6.1 low profile screw 1 actuator	Screw-on actuator, fully coded, height: 3 mm, switching distance: 6 mm, for use with PSENcode slimline design	542 188
PSEN cs3.1 low profile glue 1 actuator	Stick-on actuator, coded, height: 3 mm, switching distance: 6 mm, for use with PSENcode compact design	541 087
PSEN cs3.1 low profile screw 1 actuator	Screw-on actuator, coded, height: 3 mm, switching distance: 6 mm, for use with PSENcode compact design	541 088
PSEN cs4.1 low profile glue 1 actuator	Stick-on actuator, fully coded, height: 3 mm, switching distance: 6 mm, for use with PSENcode compact design	541 187
PSEN cs4.1 low profile screw 1 actuator	Screw-on actuator, fully coded, height: 3 mm, switching distance: 6 mm, for use with PSENcode compact design	541 188

Accessories – coded safety switch PSENcode



PSEN cs3/cs4,
PSEN ma1.4
actuator caps



PSEN cs bracket
stop swinging door

Description Type	Features	Quantity	Order number
One-way screw to secure the actuator	<ul style="list-style-type: none"> ▶ Stainless steel ▶ Drive: one-way slot (safety screw) 		
PSEN screw M4x10	<ul style="list-style-type: none"> ▶ M4, 10 mm ▶ Suitable for PSEN cs3/4/5/6 	10	540308
PSEN screw M4x12	<ul style="list-style-type: none"> ▶ M4, 12 mm ▶ Suitable for PSEN cs3/4/5/6 	10	540309
PSEN screw M4x16	<ul style="list-style-type: none"> ▶ M4, 16 mm ▶ Suitable for PSEN cs3/4/5/6 	10	540310
PSEN screw M4x20	<ul style="list-style-type: none"> ▶ M4, 20 mm ▶ Suitable for PSEN cs3/4/5/6 	10	540313
PSEN screw M4x26	<ul style="list-style-type: none"> ▶ M4, 26 mm ▶ Suitable for PSEN cs3/4/5/6 	10	540314
PSEN screw M5x10	<ul style="list-style-type: none"> ▶ M5, 10 mm ▶ Suitable for PSEN cs1/2 	10	540311
PSEN screw M5x20	<ul style="list-style-type: none"> ▶ M5, 20 mm ▶ Suitable for PSEN cs1/2 	10	540312
End caps PSEN cs3/cs4, PSEN ma1.4 actuator caps	Suitable for PSEN cs3/4 actuator	50	540335
Mounting bracket PSEN bracket	Suitable for PSEN cs3/4 ¹⁾	1	532 110
PSEN mag/cs bracket straight	Suitable for PSEN cs3/4/5/6	2	532 111
PSEN cs bracket stop swinging door	Suitable for PSEN cs5/6 (set for switch and actuator)	1	532 108
PSEN cs bracket stop sliding door	Suitable for PSEN cs5/6 (set for switch and actuator)	1	532 109

¹⁾ for actuator and switch, 1 of each required

Cable selection:

From page 138

Keep up-to-date
on coded safety
switches
PSENcode:

Webcode:
web150412

Online information
at www.pilz.com

▶ Coded safety switch PSENcode for position moni

Three positions – one safe sensor: one coded safety switch type is suitable for monitoring up to three positions safely. In this economical solution, PSENcode also distinguishes safely between positions.



IP67



PSEN cs3.19n

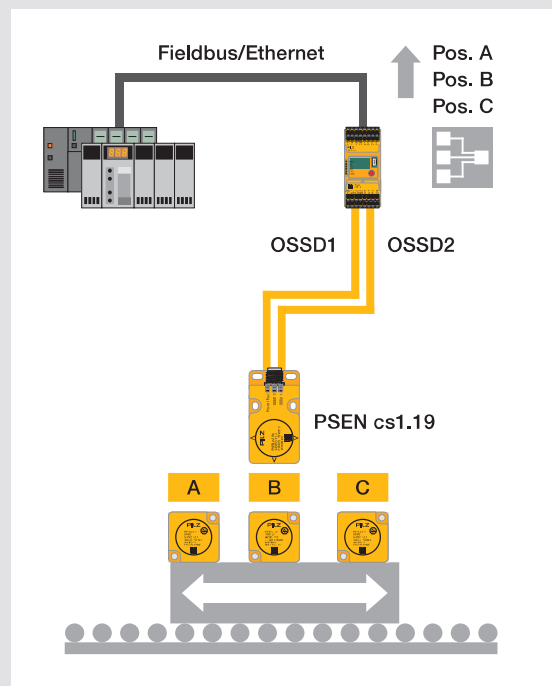


PSEN cs1.19n

The coded safety switch PSEN csx.19n enables quick, user-friendly diagnostics via LED display, whether you use the compact or the large design. Thanks to the connection type (M12 connector, 5-pin), the new PSENcode fits perfectly into any system environment.

Solution for standard and safety

Previously, two standard proximity switches and one safe sensor were necessary to monitor three positions within an application. The coded safety switch PSEN csx.19n enables a more efficient solution because it can replace two standard sensors. The coded safety switch PSENcode simplifies the application considerably. Actuator arms, sensor wiring and I/O channels are surplus to requirements, as are proximity switches. As a result you can reduce the costs and effort involved in standard and safety-related position detection.



PSENcode offers great potential savings as a solution for safety and automation.

toring

Selection guide – coded safety switch PSENcode – Sets

Common features

- ▶ Mode of operation: RFID transponder technology
- ▶ Type of coding: coded
- ▶ Diagnostic interface: 3 LEDs (active actuator, supply voltage/fault)
- ▶ Connection: connector, M12, 5-pin
- ▶ Design: compact or large
- ▶ Outputs: 2 safety outputs
- ▶ Inputs: 2 safety inputs
- ▶ Protection type: IP67
- ▶ Typical operating distance:
 - PSEN cs1.19n/PSEN cs1.19: 15 mm
 - PSEN cs3.19n/PSEN cs3.19: 11 mm

Type (switch/actuator)	Certification	Order number (Unit)		
		Sensor with 3 actuators (OSSD 1, OSSD 2, OSSD 1&2)	Sensor with 2 actuators (OSSD 1, OSSD 2)	Sensor with 1 actuator (OSSD 1&2)
▶ Large design				
PSEN cs1.19n/ PSEN cs1.19	EAC, FCC ¹⁾ , IC ¹⁾ , TÜV, UL ¹⁾	540 303	540 305	540 304
▶ Compact design				
PSEN cs3.19n/ PSEN cs3.19	EAC, FCC ¹⁾ , IC ¹⁾ , TÜV, UL ¹⁾	541 303	541 305	541 304

¹⁾ FCC, IC and UL certification applies only to individual components contained within the set



Selection guide – coded safety switch PSENcode



PSEN cs3.19n – 1 switch

Type	Certification	Order number
PSEN cs1.19n – 1switch	EAC, FCC ¹⁾ , IC ¹⁾ , TÜV, UL ¹⁾	540 353
PSEN cs1.19 – OSSD 1&2 – 1actuator	EAC, TÜV, UL ¹⁾	540 380
PSEN cs1.19 – OSSD 1 – 1actuator	EAC, TÜV, UL ¹⁾	540 382
PSEN cs1.19 – OSSD 2 – 1actuator	EAC, TÜV, UL ¹⁾	540 383
PSEN cs3.19n – 1switch	EAC, FCC ¹⁾ , IC ¹⁾ , TÜV, UL ¹⁾	541 353
PSEN cs3.19 – OSSD 1&2 – 1actuator	EAC, TÜV, UL ¹⁾	541 380
PSEN cs3.19 – OSSD 1 – 1actuator	EAC, TÜV, UL ¹⁾	541 382
PSEN cs3.19 – OSSD 2 – 1actuator	EAC, TÜV, UL ¹⁾	541 383

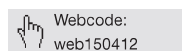
¹⁾ FCC, IC and UL certification applies only to individual components contained within the set

Achievable safety level in accordance with EN ISO 13849-1 (per actuator)

Actuator used	OSSD 1&2	OSSD 1	OSSD 2
OSSD 1&2	PL e	-	-
OSSD 1, OSSD 2	-	PL d ²⁾	PL d ²⁾
OSSD 1&2, OSSD 1, OSSD 2	PL d ²⁾	PL c	PL c

²⁾ With additional diagnostics, stuck-at-faults and wiring errors such as short circuits and shorts across contacts are detected (plausibility check).

Keep up-to-date on coded safety switches PSENcode:



Online information at www.pilz.com