

Extruded Heatsinks

G9521 = Product group; Product group discount G 95 2_

Extruded Heatsinks
 With Solderable Fixing Pins, for TO220
 Profile Width: 29mm
 Surface: Black Anodized
 Series: SK29

Features

- For vertical mounting
- Mounting of heatsink by solderable fixing pins $\varnothing 2,3\text{mm}$
- Black anodized finish
- Mount Semiconductor using M3 screws (drilling without fixed lugs)
- Suitable for TO220 housing

Technical Specifications

Part Nr.	Thermal Resistance [K/W]	Length L [mm]
SK29-25S	9,0	25,0
SK29-38S	8,5	37,5

Note

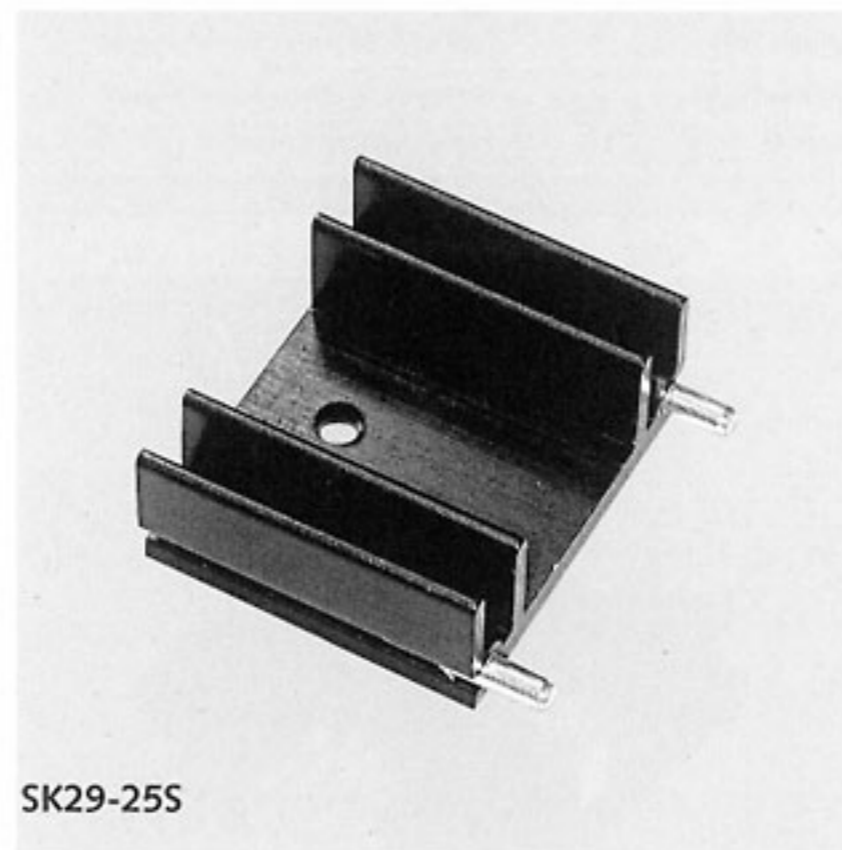
You will find heat conductor pastes for optimal heat transfer in our red "Components & Devices" catalogue at product group R3211.

Terms of Delivery

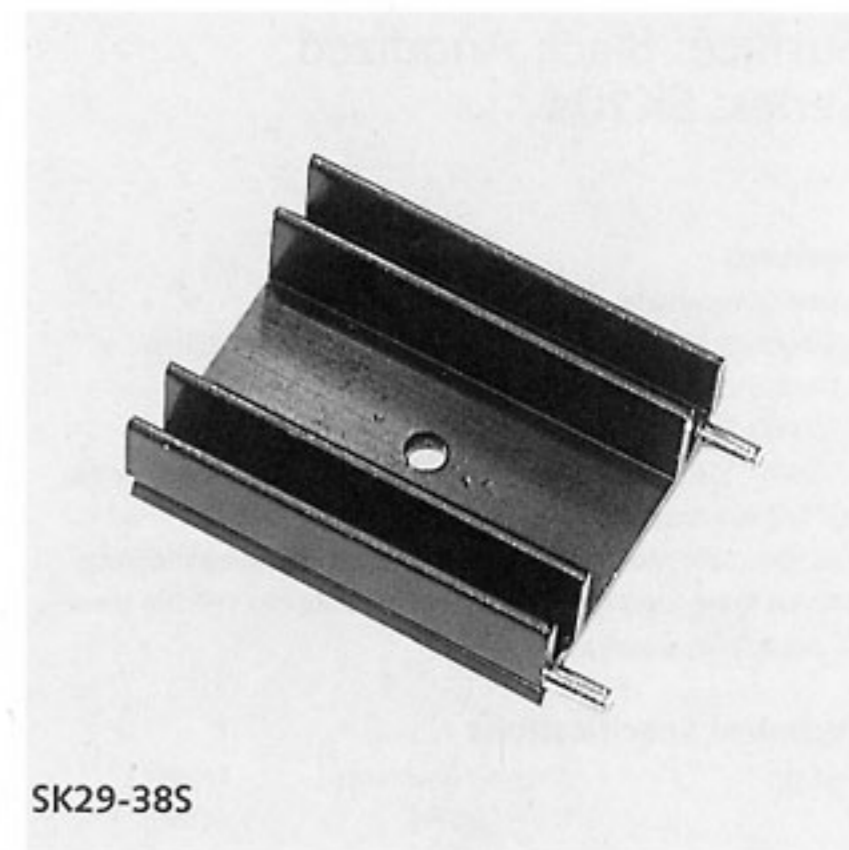
Minimum order quantity: 1 PKU = 10 pieces

Manufacturer: Various

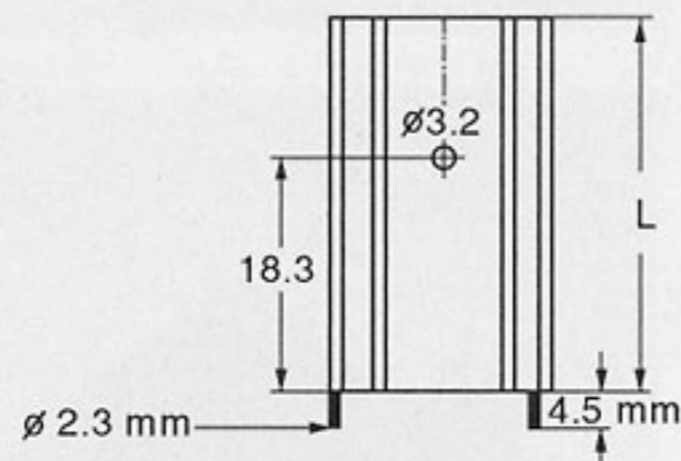
Part Nr.	Part description
SK29-25S	Heatsink 25,4/29mm Screw Mount
SK29-38S	Heatsink 38,1/29mm Screw Mount



SK29-25S



SK29-38S



SK29- _

