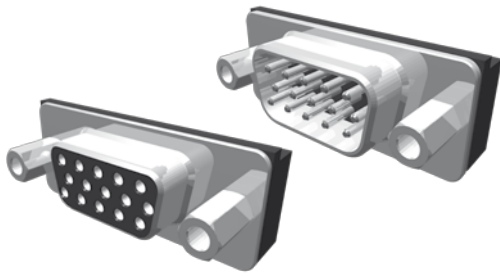


# D-SUB High Density, Right Angled

Series

**599**



Rated current	3,0 A
Rated voltage	60 VRMS / Vdc
Withstand voltage	500 VRMS for 1 minute
Material contact	Copper alloy
Material insulator	Thermoplast UL94V-0
Operating temperature	-55°C to +85°C
Max. processing temper.	230°C for 10 seconds

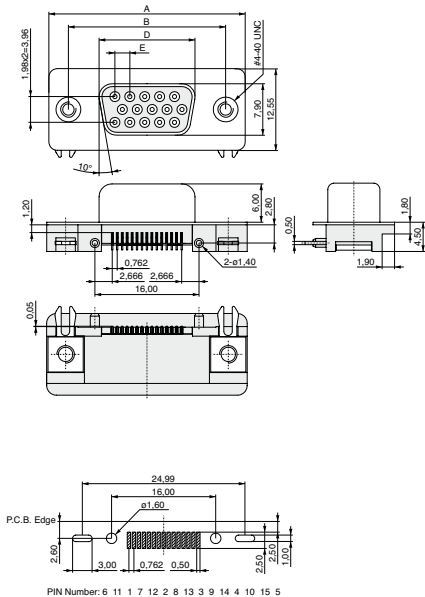
termination



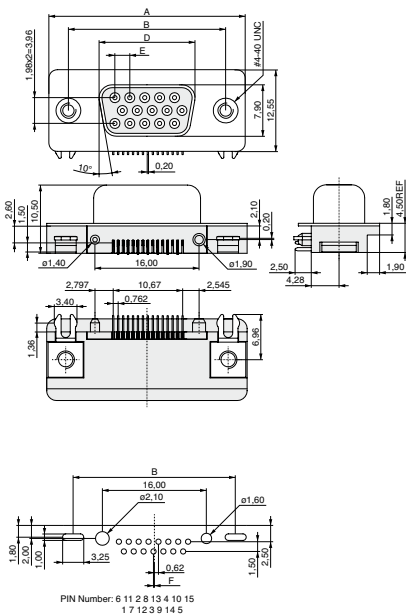
max. pincount  
**015**

All dimensions in mm.

## Variation / PCB Layout



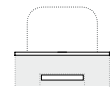
1



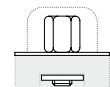
2

## Mounting option

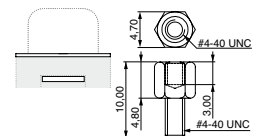
N1



N6



NA



Variation	Mounting option
1	N1, N6, NA
2	N1, N6, NA

no. of contacts	see figure left	see figure left	see figure left	see figure left	see figure left	see figure left	available in variation
n	A	B	C	D	E	F	
015	30,81	24,99	16,92	16,33	2,29	-	1
015	30,81	24,99	16,92	16,33	2,29	0,14	2

Type:  
F = Female

Colour:  
0 = Black  
3 = Blue

Plating shell:  
N = Ni

Plating contact:  
T = Sn  
F = Au  
S = Selective Au

Variation (1,2)

Type

Mounting option  
(N1, N6, ...)

Colour (0,3)

Plating shell

Plating contact (T,...)



www.mpe-connector.de

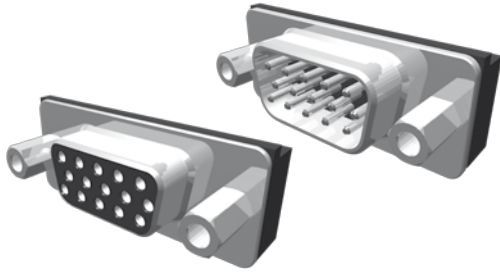
Order code:

**599-?-015F-??N?-BS0**

# D-SUB High Density, Right Angled

Series

**599**



Rated current	3,0 A
Rated voltage	60 V <sub>RMS</sub> / V <sub>Dc</sub>
Withstand voltage	500 V <sub>RMS</sub> for 1 minute
Material contact	Copper alloy
Material insulator	Thermoplast UL94V-0
Operating temperature	-55°C to +85°C
Max. processing temper.	230°C for 10 seconds

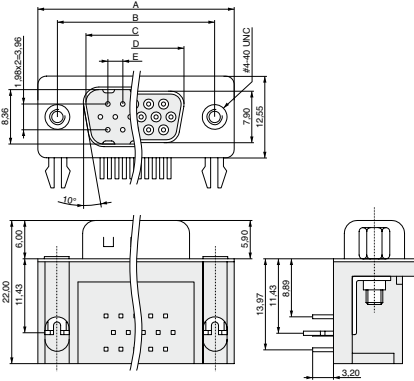
termination



max. pincount  
**062**

All dimensions in mm.

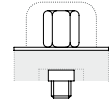
## Variation / PCB Layout



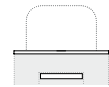
**3**

## Mounting option

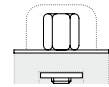
**M1**



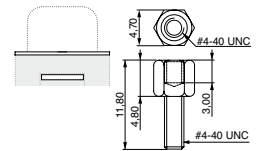
**N1**



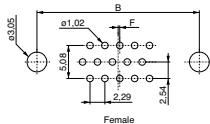
**N6**



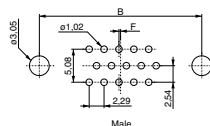
**NB**



## Female



## Male



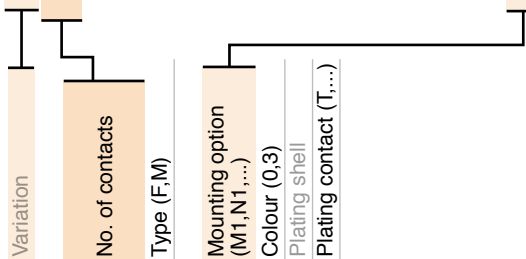
n	no. of contacts						
	A	B	C	D	E	F	
015	30,81	24,99	16,92	16,33	2,29	0,25	
026	39,14	33,32	25,50	24,66	2,29	0,51	
044	53,04	47,04	38,96	38,38	2,29	0,51	
062	69,32	63,50	55,42	54,84	2,41	0,58	

Type:  
F = Female  
M = Male

Colour:  
0 = Black  
3 = Blue

Plating shell:  
N = Ni

Plating contact:  
T = Sn  
F = Au  
S = Selective Au



www.mpe-connector.de

Product group  
**12**

Order code: **599-3-???**