

Toggle Switches

E2331 = Product group; Product group discount E 23 3_

PIC Toggle Switches With Brass Chrome-Plated Lever Series: TS, WT

Technical Specifications

Contact Resistance:<30mΩ
 Insulation Resistance:≥500MΩ/500V
 DC Dielectric Strength:500V AC/1 Min.
 Operating Life Expectancy
 Under Rated Load:10.000 Operating Cycle
 Unloaded:15...18 Operating Cycle/Min.

Part Nr.	Type	Power [V DC/A]	Thread	Ø ¹⁾ [mm]
TS12	1 x On/On	50/0,5	1/4-40UNS	6,35
WT12	1 x On-Off-On	28/3	1/4-40UNS	6,35
WT13	1x On-Off-On	28/3	1/4-40UNS	6,35
WT22	2 x On-Off-On	28/3	1/4-40UNS	6,35

¹⁾ Max. Boring for Housing

Dimensions

Switch Lever
 Length:10mm
 Diameter:2,9mm

Not suitable for mains voltage.

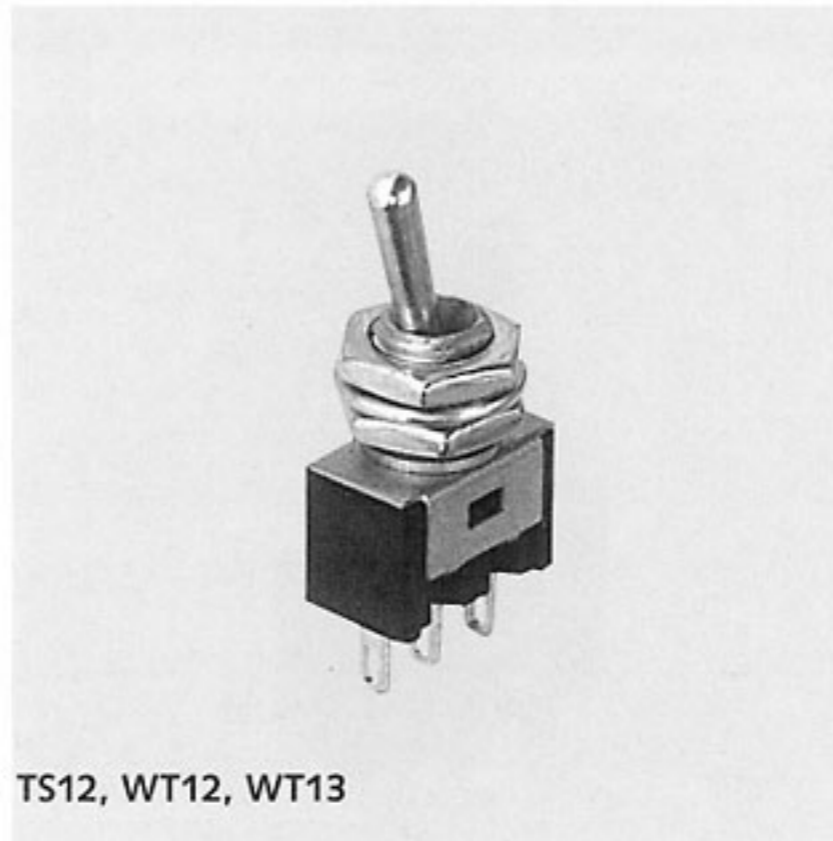
Terms of Delivery

Minimum order quantity: 1 PKU = 10 pieces
 Delivery contents: switch, 2 nuts, 1 spring washer

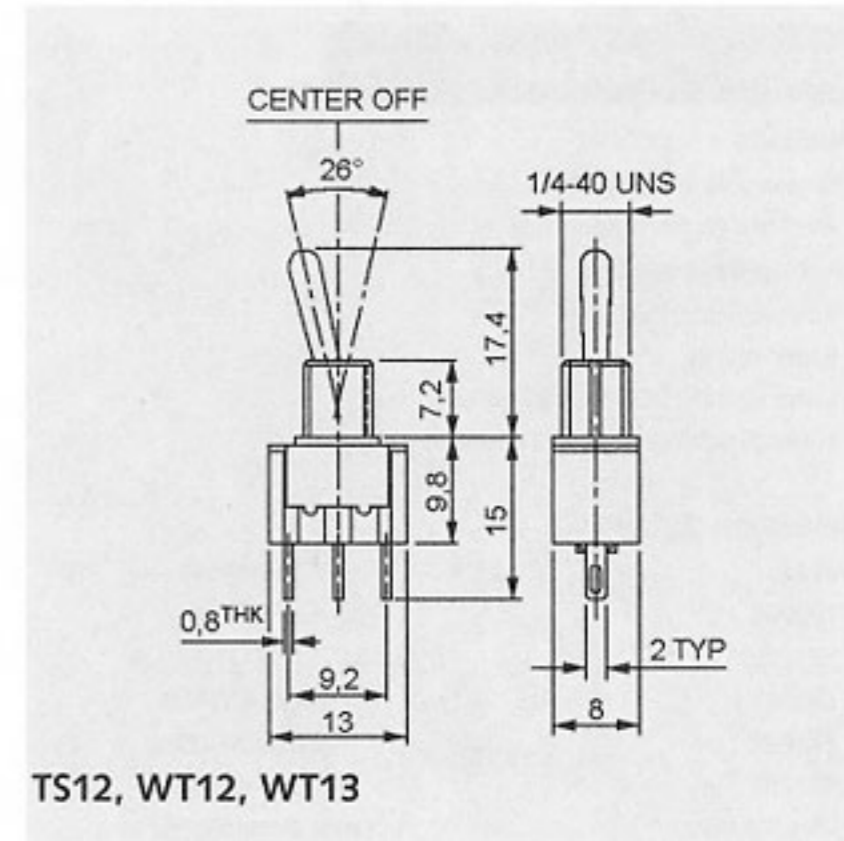
Manufacturer: **PIC**

<http://www.pic.com.hk>

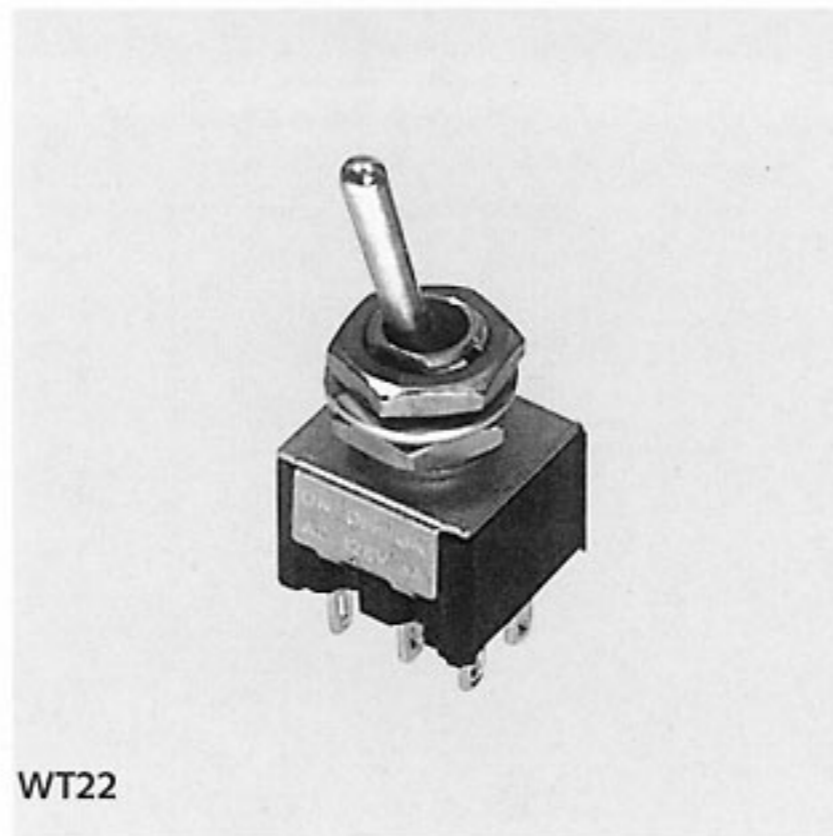
Part Nr.	Part description
TS12	Toggle Switch SPDT 50VDC 0,5A
WT12	Toggle Switch SPDT 28VDC 3A
WT13	Toggle Switch On-Off-On 28VDC 3A
WT22	Toggle Switch DPDT 28VDC 3A



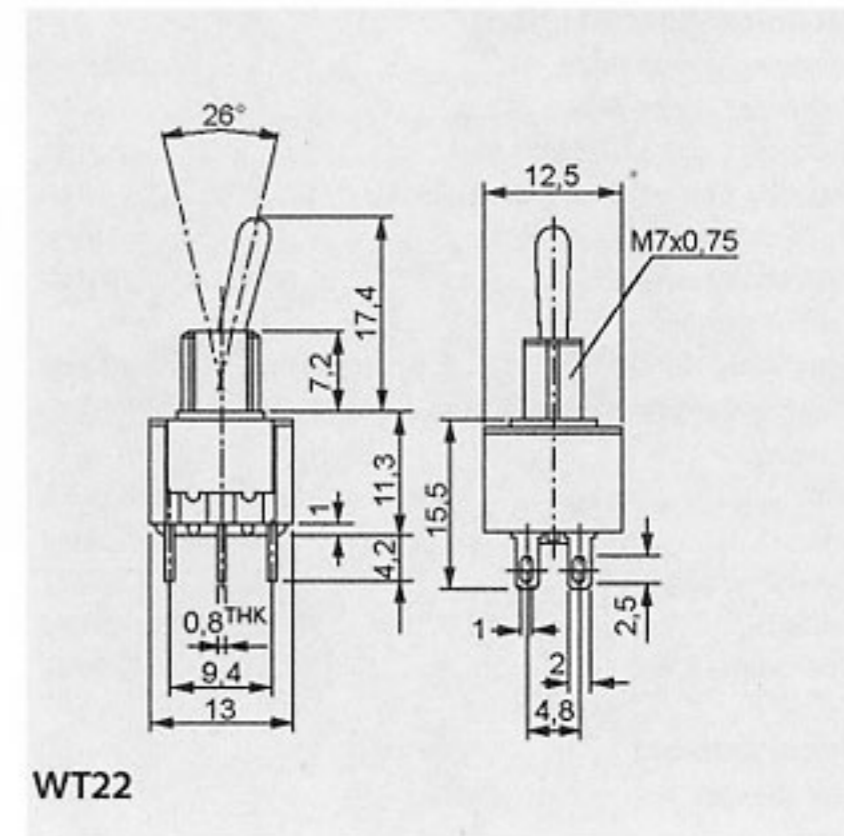
TS12, WT12, WT13



TS12, WT12, WT13



WT22



WT22