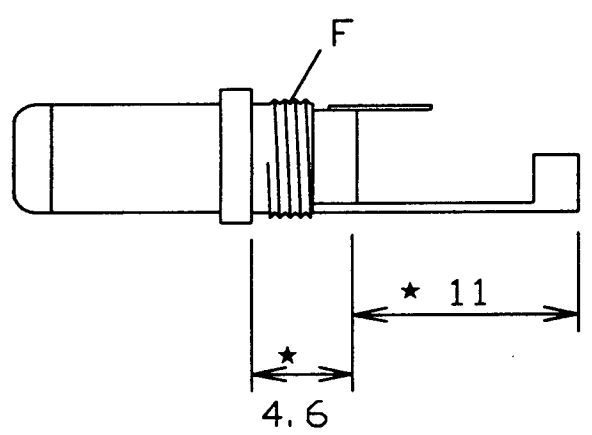
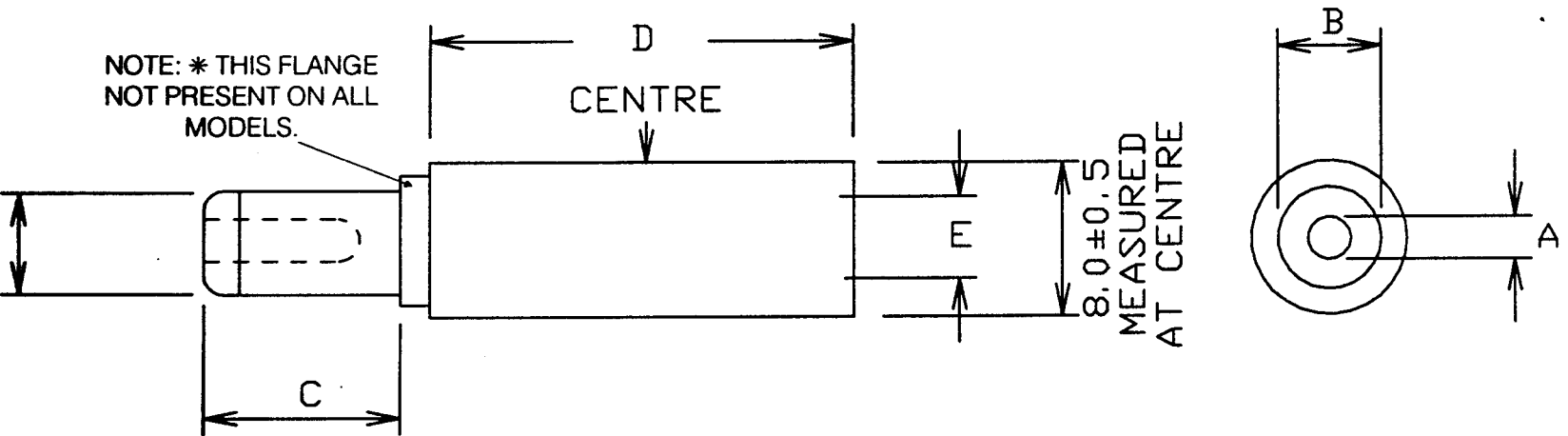


ISS.	AMEND	DATE
1.	1ST DRAWN	27/7/90
2.	NOTE *	2/5/91
3.	C MODELS ADDED	1/2/94
4.	F ADDED C TYPE DELETED	25/4/96



VARIANTS

MODEL	DIM A	DIM B	DIM C	DIM D	DIM E	DIM F	P / No.
DCPP1	2.1	5.5	9.5	21.8	4.0	M7x0.5	FC 68147
DCPP1L	2.1	5.5	14.0	21.8	4.0		FA 6758
DCPP2	2.5	5.5	9.5	21.8	4.0	M7x0.5	FC 681471
DCPP2GREY	2.5	5.5	9.5	21.8	4.0		FA 6756
DCPP2L	2.5	5.5	14.0	21.8	4.0		-
DCPP3	1.3	3.5	9.0	21.8	4.0		FA 67555

★ THESE DIMS VARY WITH MODEL

NOMINAL RATING 12V 5A.

TOLERANCE

NO DEC. PLACE ±

1 DEC PLACE ± 0.25

2 DEC PLACE ±

DIA OF HOLES ±

ANGLES ±

UNLESS OTHERWISE STATED

WHERE USED F.R.

SCALE N.T.S.

DIMENSIONS IN MILLIMETRES UNLESS OTHERWISE STATED. WORK TO DIMENSIONS. DO NOT SCALE DRAWING. 3rd ANGLE PROJECTION. REMOVE BURRS.

Cliff Electronic Components, Inc. 4876 East Second Street, Benicia, CA 94510 USA Tel: (707) 746 8090 Fax: (707) 746 8092	MATERIAL ABS / BRASS		TITLE DC CONNECTOR DCPP-	
	FINISH AS MOULDED / Ni / Ag PLATED		DRWG. No. FC 68147	
	DRAWN C.A.M.J.	APPD. R.W.T.	FORM: A4DRWGH	