

Flat Transformers

D7717 = Product group; Product group discount D 77 1_

HAHN Flat Transformers Non Short-Circuit Proof Output: 40...60VA Input Voltage: 2x115V Core: UI48

Construction

- Vacuum encapsulated, bobbin with two chambers
- Leads through soldering pins to accommodate PCB mounting
- Designed to match VDE 0570 and EN61558 regulations
- Fully tested at primary and secondary voltage of 6000V, leakage and sparking distance in air is at least 10mm
- Types with double primary and secondary windings (2x115V) suitable for application in 115V as well as 230V power supplies

Electrical Specifications

Part Nr.	P ¹⁾ [VA]	Secondary Voltage [V]	Secondary Current ²⁾ [mA]	No-Load Voltage [V]
BVUI4810001	40	2x6	2x3333	7,3
BVUI4810002	40	2x9	2x2222	10,8
BVUI4810003	40	2x12	2x1666	14,3
BVUI4810004	40	2x15	2x1333	17,7
BVUI4820007	60	2x6	2x5000	7,3
BVUI4820008	60	2x9	2x3333	10,5
BVUI4820009	60	2x12	2x2500	14,0
BVUI4820010	60	2x15	2x2000	17,5

P = Power, ¹⁾ Primary Voltage at 230V, ²⁾ Secondary Voltage per Winding ±5%

Size

Performance	Height h [mm]	Weight [g]
40VA	38,7	780
60VA	47,9	1100

Approvals



Terms of Delivery

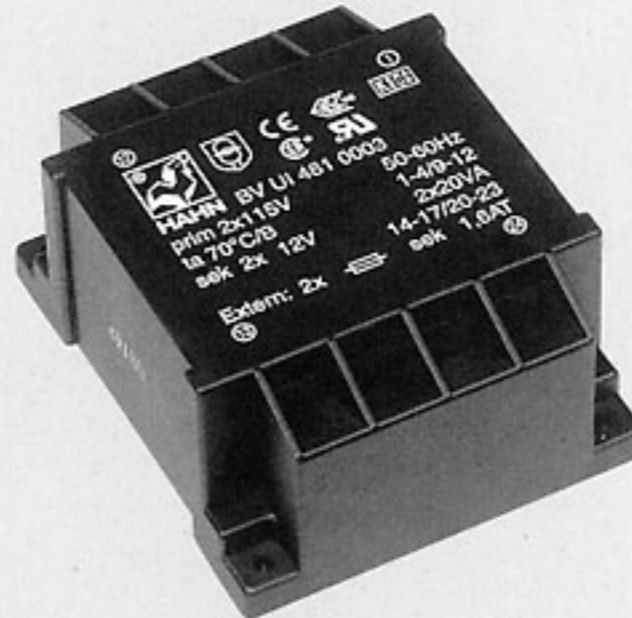
Minimum order quantity: 1 PKU = 1 piece

Articles in bold print in stock, other articles of 100 pieces upwards available on request, delivery time approx. 5 weeks.

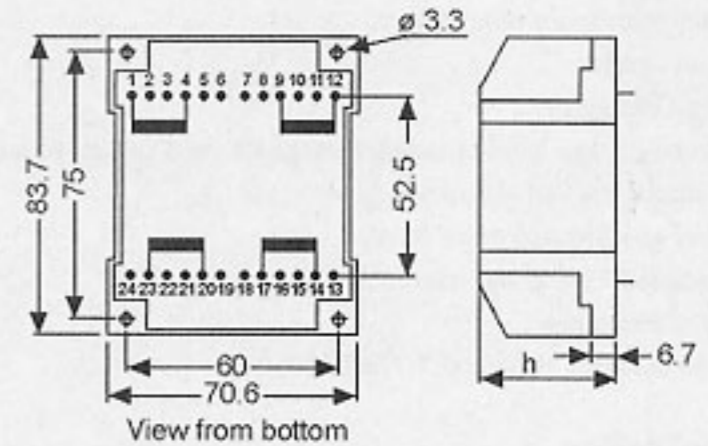
Manufacturer: HAHN GmbH & Co. KG

<http://www.hahn-trafo.com>

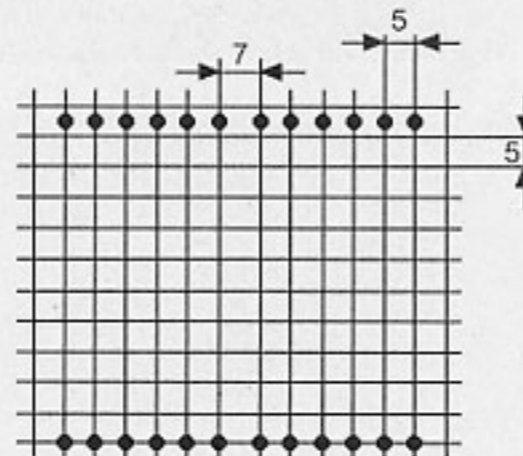
Part Nr.	Part description
BVUI4810001	Transformer 40VA 2x115V 2x6V 2x3333mA
BVUI4810002	Transformer 40VA 2x115V 2x9V 2x2222mA
BVUI4810003	Transformer 40VA 2x115V 2x12V 2x1666mA
BVUI4810004	Transformer 40VA 2x115V 2x15V 2x1333mA
BVUI4820007	Transformer 60VA 2x115V 2x6V 2x5000mA
BVUI4820008	Transformer 60VA 2x115V 2x9V 2x3333mA
BVUI4820009	Transformer 60VA 2x115V 2x12V 2x2500mA
BVUI4820010	Transformer 60VA 2x115V 2x15V 2x2000mA



BVUI48_



Dimensions



prim I: 1 - 4 sec I: 14 - 17
prim II: 9 - 12 sec II: 20 - 23
soldering pins 1.1x0.5

Pin Board