

IEC Male Power Insert Connectors

F5541 = Product group; Product group discount F 55 4_

SCHURTER OTTO HEIL, K+B IEC Male Power Insert Connectors With Fuseholder Pin Temperature: 65°C Series: GSI

Part Nr.	Part description
GSI-4.8	IEC Power Connector Fuseh. Sp=36mm 4,8mm
GSI-6.3	IEC Power Connector Fuseh. Sp=36mm 6,3mm
GSI1064	IEC Power Connector Fuseholder, Snap-in
GSI-Q	IEC Power Connector Fuseh., Spacing=39mm

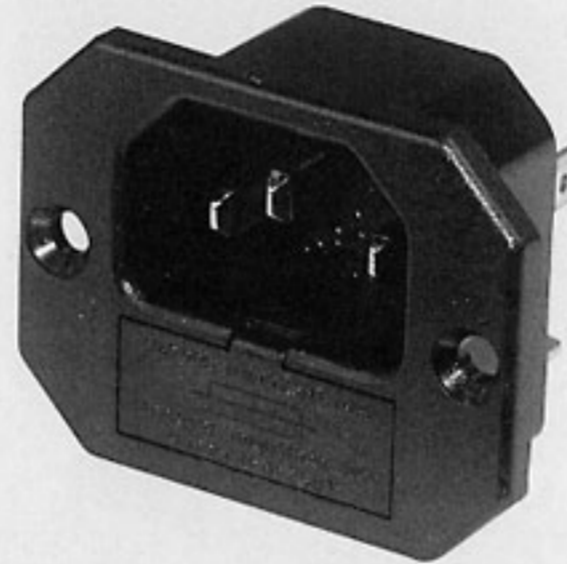
Technical Specifications

Nr. of Poles:2+PE
 Continuous Current
 Plug:10A
 Fuse Holder:6,3A
 Pin Temperature:65°C
 Rated Voltage:250V AC

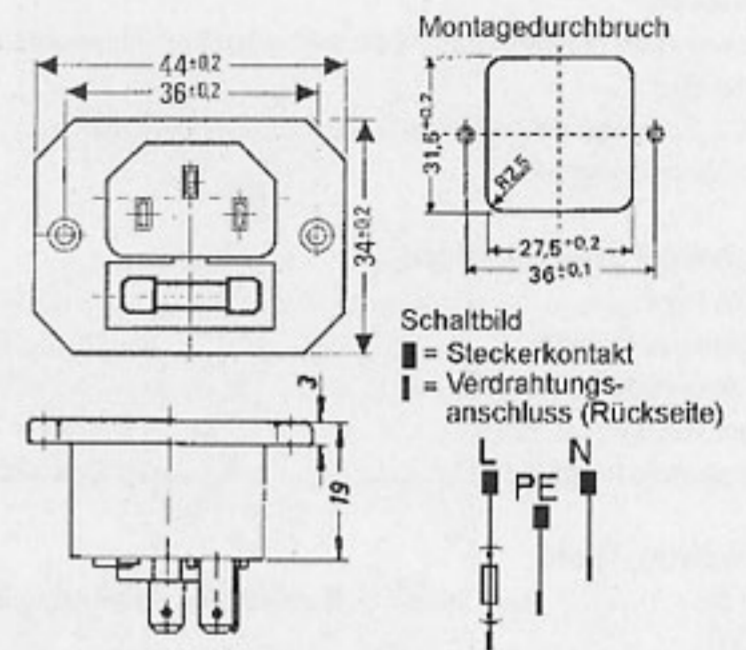
GSI-4.8, GSI-6.3

Features

- Combination consists of:
 - Appliance plug
 - Fuse holder for a fuse (5x20mm)
- Connection by flat cable plug:
 - GSI-4.8: 4,8mm
 - GSI-6.3: 6,3mm
- Screw assembly, longitudinal flange, hole distance 36mm



GSI-4.8, GSI-6.3



GSI-4.8, GSI-6.3
Dimensions and Panel Opening

Approvals



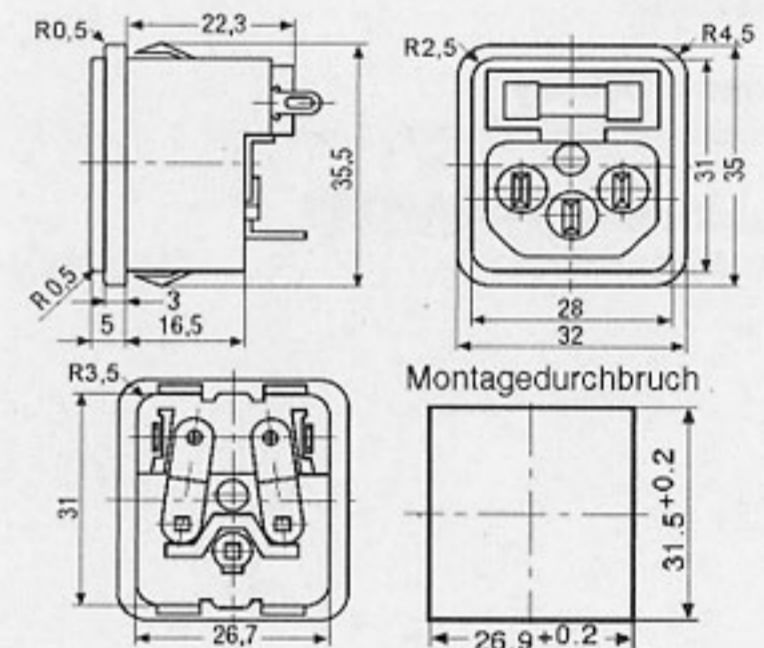
GSI1064

Features

- Combination consists of:
 - Appliance plug
 - Fuse holder for a fuse (5x20mm) with an integrated compartment for spare fuse
- Connection N and PE by 4,8mm flat cable plug, solder terminals for fuse holder
- Snap-in assembly



GSI1064

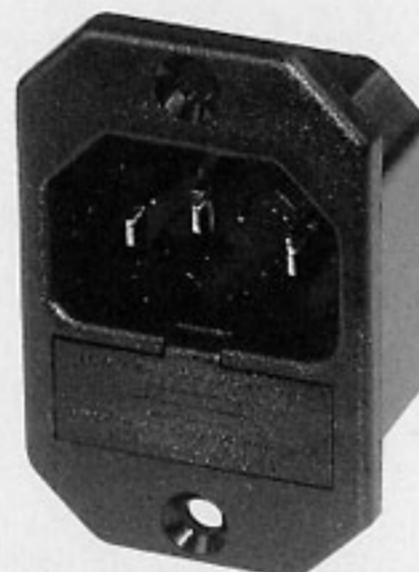


GSI1064
Dimensions and Panel Opening

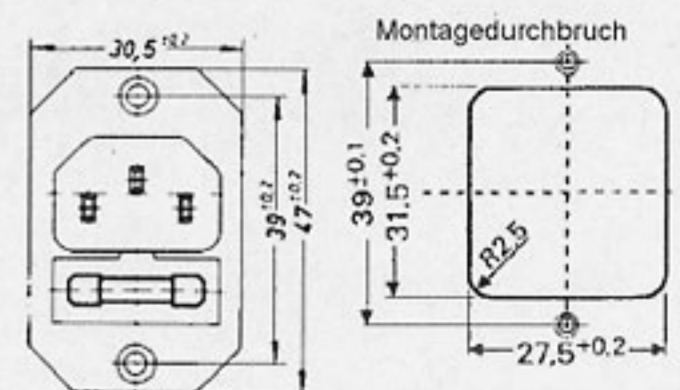
GSI-Q

Features

- Combination consists of:
 - Appliance plug
 - Fuse holder for a fuse (5x20mm)
- Connection by 4,8mm flat cable plug
- Screw assembly, transversal flange, hole distance 39mm



GSI-Q



GSI-Q
Dimensions and Panel Opening

Approvals



Note

- You will find suitable flat receptacles for tabs 4,8mm in product group F1313.
- You will find suitable flat receptacles for tabs 6,3mm in product group F1315.
- You will find fine-wire fuses 5x20mm in accordance with DIN41.571 at product group E1415.

Norms

EN60320; standard sheet C14

Terms of Delivery

Minimum order quantity: 1 PKU = 10 pieces

Manufacturer:

<http://www.schurter-heil.de>

<http://www.kb-connector.de>