



# Elektrotechnik Karl-Heinz Mauz GmbH

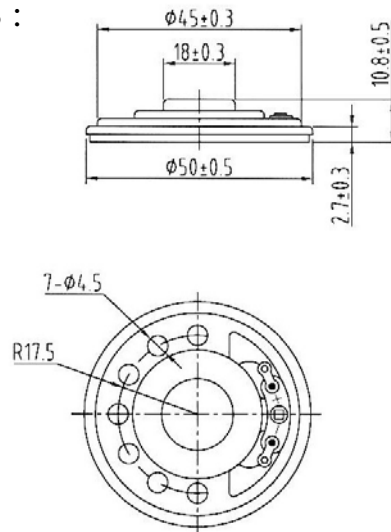
**LSM-50M/N** (Artikel-Nr. 115130)

**EKULIT**

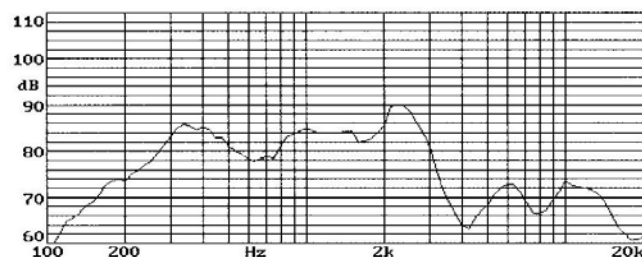
## *SPECIFICATIONS:*

TYPE	UNIT	LSM-50M/N
Impedance	$\Omega$	8 $\pm$ 15%
Power (Nominal)	W	0.5
Power (Maximum)	W	0.7
Resonant Frequency	Hz	500 $\pm$ 20%
Sound Pressure Level	dB	90 $\pm$ 3
Frequency Range	Hz	Fo~4.500
Operating Temperature	$^{\circ}$ C	-20~+60
Storage Temperature	$^{\circ}$ C	-30~+70

**DIMENSIONS :**  
(Unit: mm)



Frequency response:



Adresse: **Felix-Wankel-Str. 35 • 73760 Ostfildern/Nellingen**

Tel: **+49-711/3414023**

Fax: **+49-711/3414024**

E-mail: **info@ekulit.de** Web site: **www.EKULIT.de**