

4

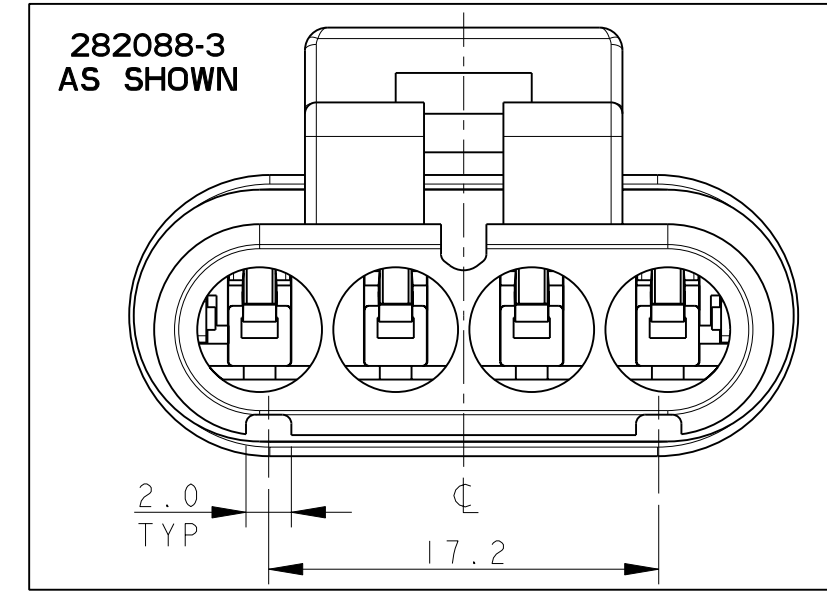
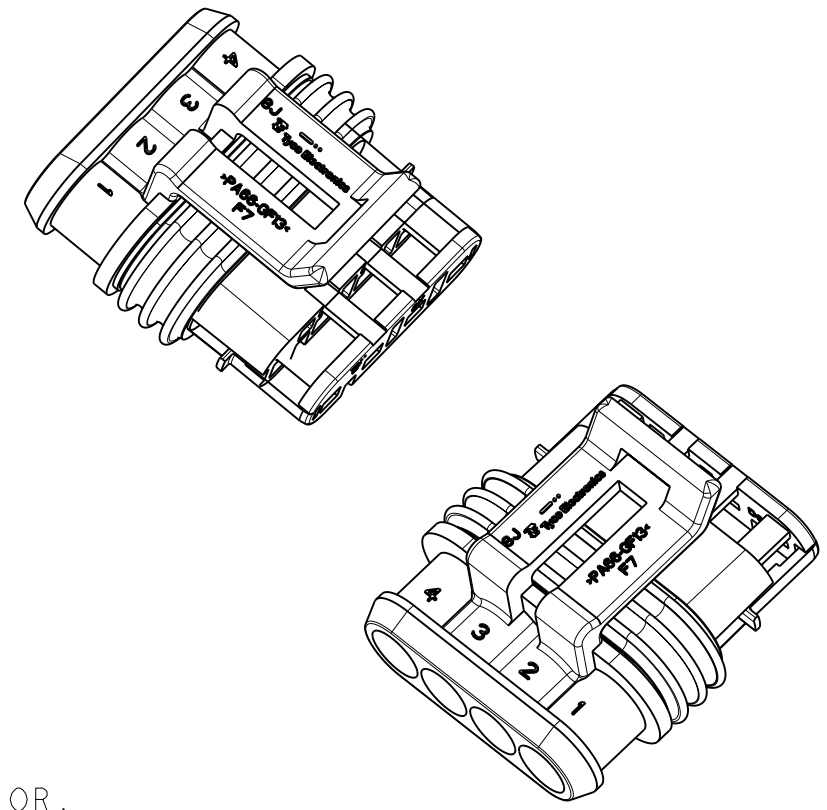
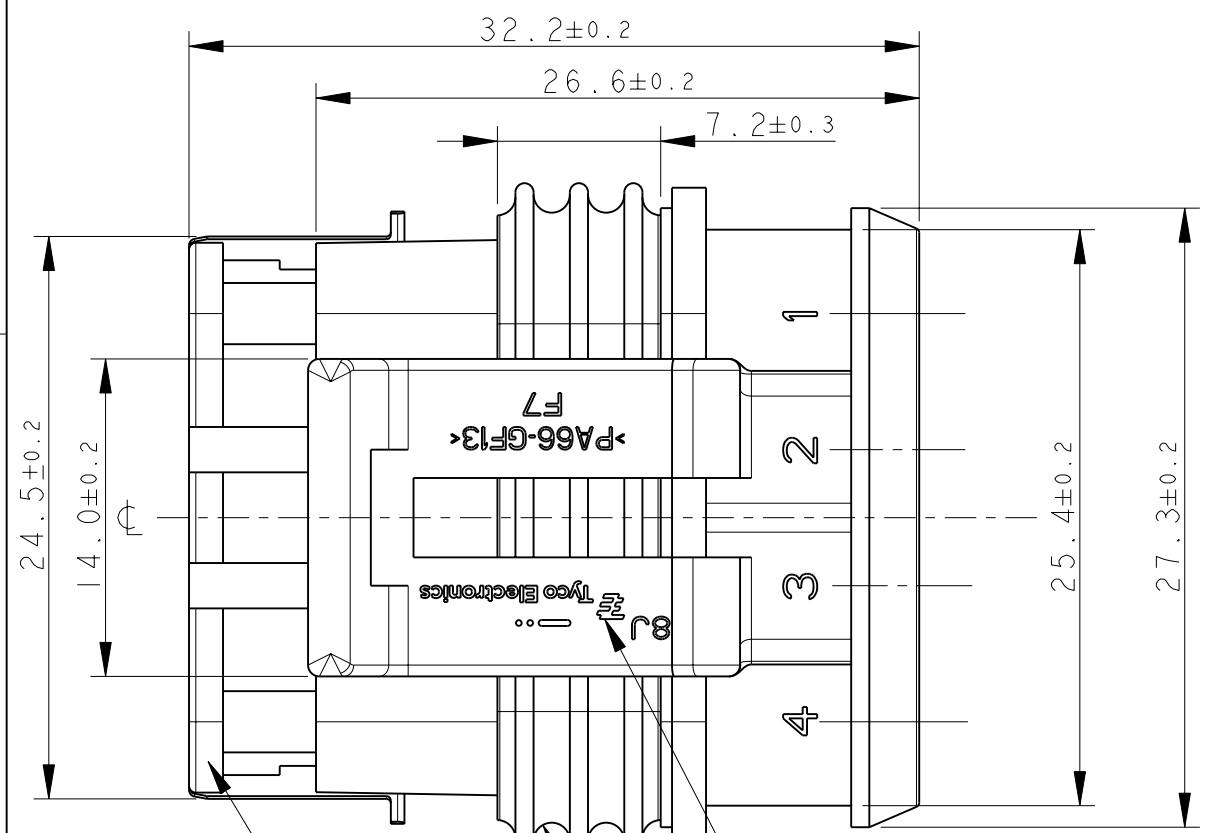
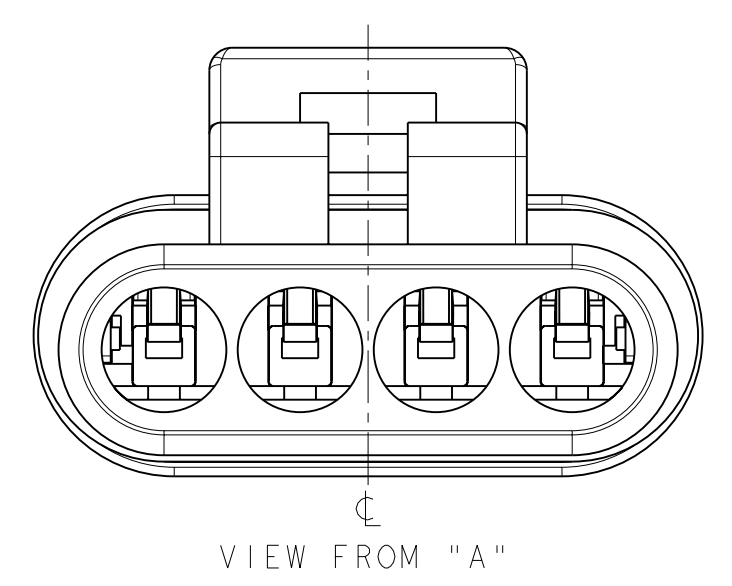
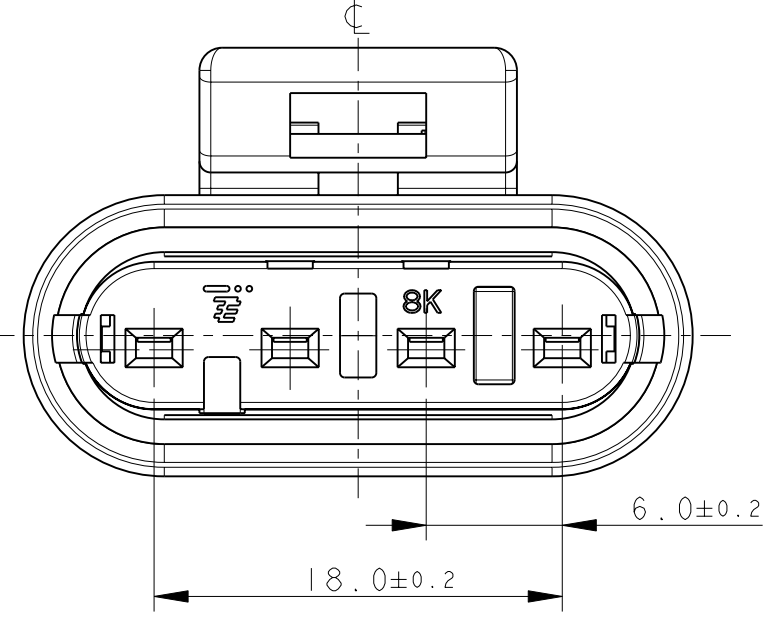
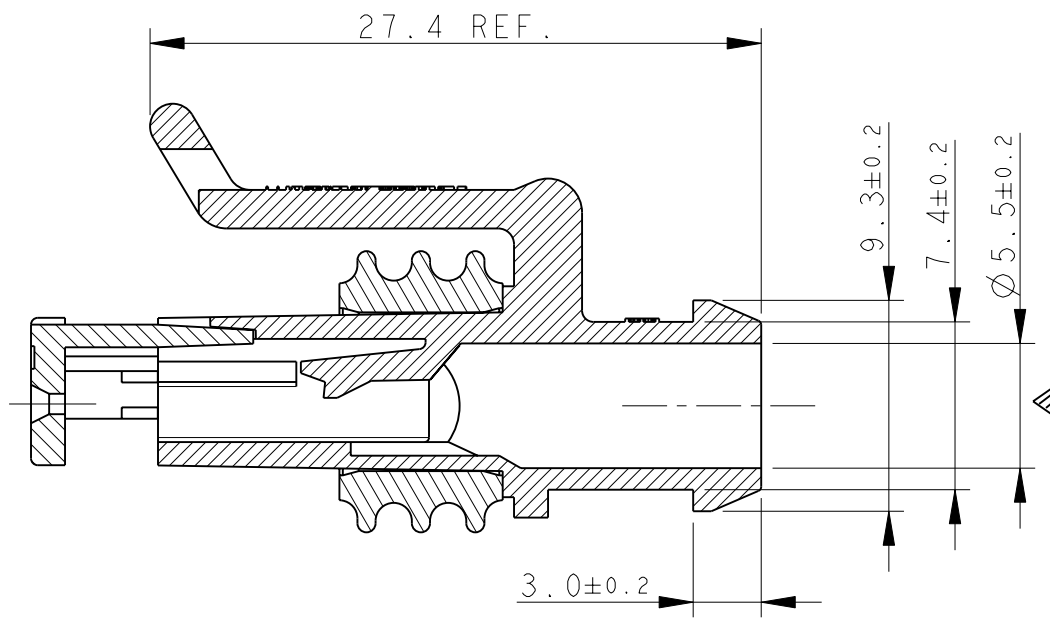
3

2

1

THIS DRAWING IS UNPUBLISHED. RELEASED FOR PUBLICATION 2007  
 © COPYRIGHT 2007 BY TYCO ELECTRONICS CORPORATION. ALL INTERNATIONAL RIGHTS RESERVED.

LOC	DIST	P	LTR	DESCRIPTION	DATE	DWN	APVD
1	-		B3	ECR-11-004679	10MAR2011	M.P.	M.G.



TYCO ELECTRONICS LOGO OR, IN ALTERNATIVE, "AMP" LOGO

SILICONE RUBBER SEALING (GUARNIZIONE IN GOMMA SILICONICA)

PRE-ASSEMBLED SECONDARY LOCK (AGGANCIAMENTO SECONDARIO IN POSIZIONE PRE-ASSEMBLATA)

NOTES: (NOTE)

- 1) FOR COUNTERPART DETAILS, SEE SHEET 2 OF 2 (PER I DETTAGLI DELLA CONTROPARTE VEDERE FOGLIO 2/2)
- 2) -1 AND -2 ARE DIFFERENT ONLY FOR COLOUR (-1 E -2 SONO DIFFERENTI SOLO PER IL COLORE)

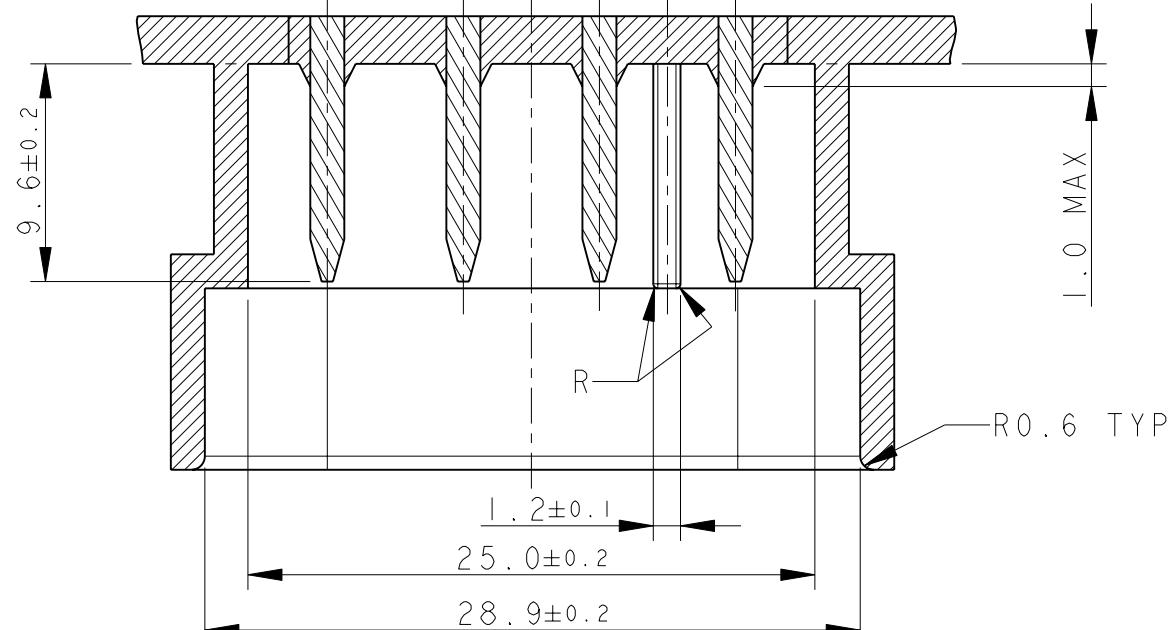
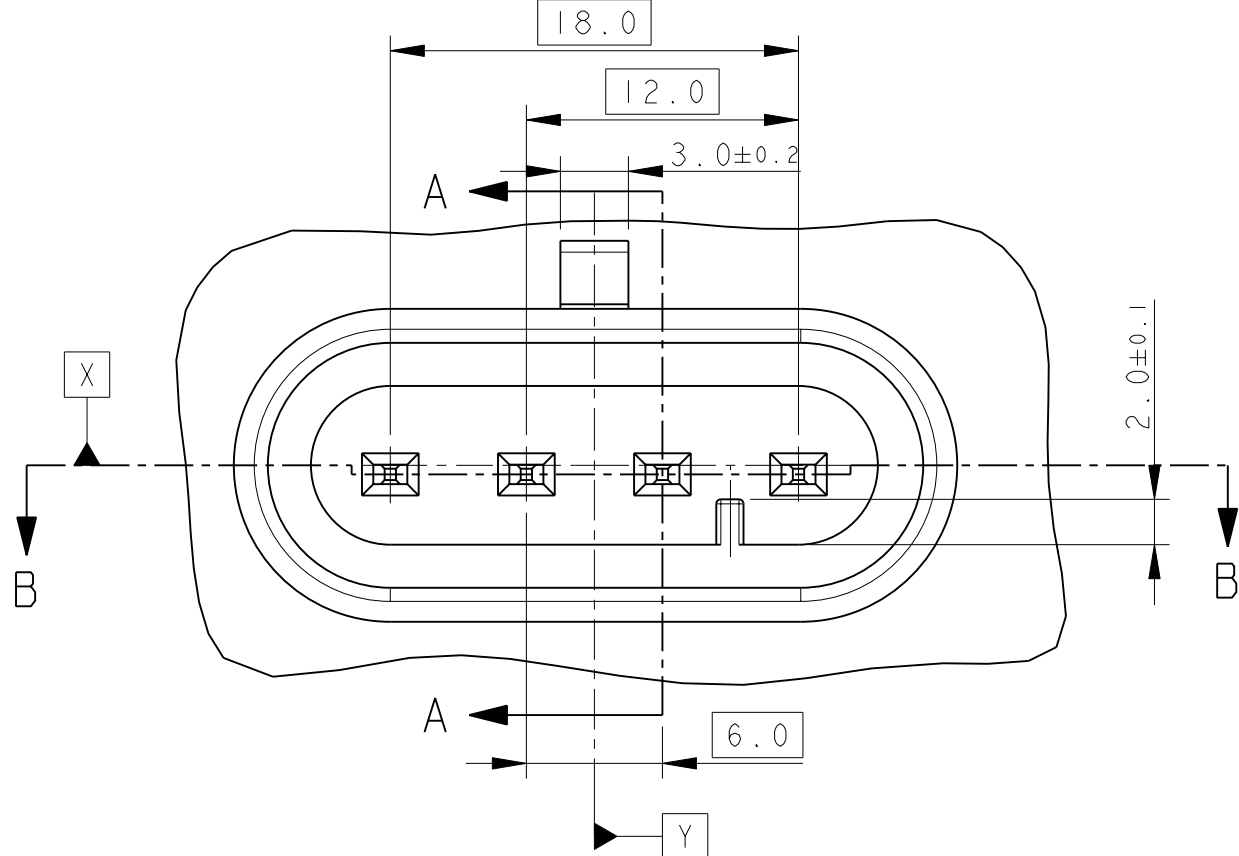
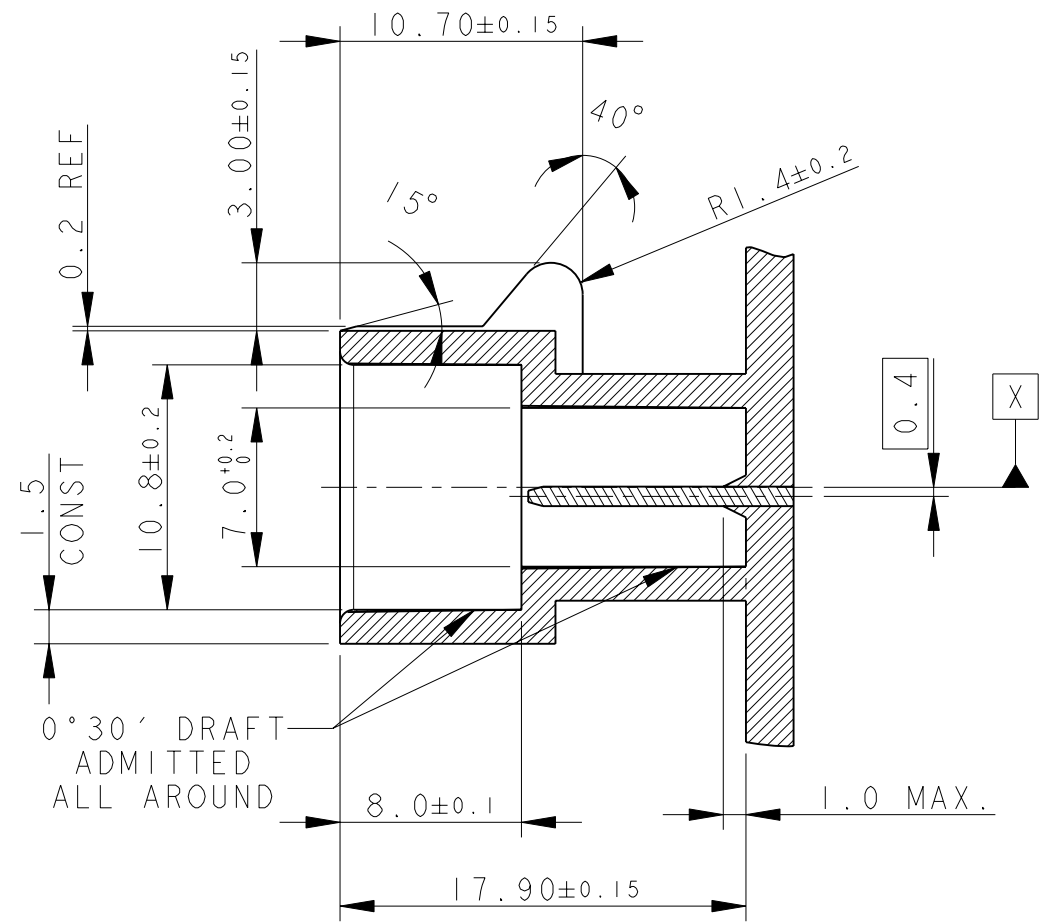
282088-1 AS SHOWN (COME MOSTRATO)

BLACK (NERO)	PA66-GF	282088-3
GRAY (GRIGIO)	PA66-GF	282088-2
BLACK (NERO)	PA66-GF	282088-1
COLOUR (COLORE)	MATERIAL (MATERIALE)	PART NUMBER (CODICE)

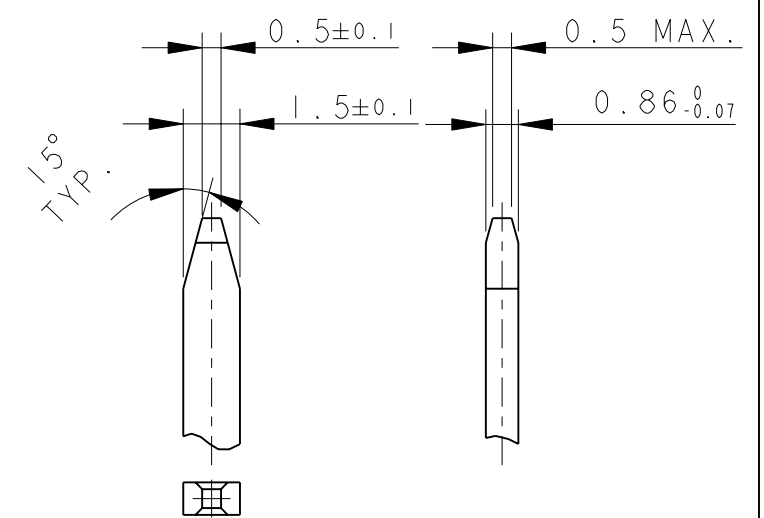
<small>THIS DRAWING IS A CONTROLLED DOCUMENT FOR TYCO ELECTRONICS CORPORATION IT IS SUBJECT TO CHANGE AND THE CONTROLLING ENGINEERING ORGANIZATION SHOULD BE CONTACTED FOR THE LATEST REVISION.</small>		DWN C. BERTINI 05-1992 CHK A. BRUNI 05-1992 APVD - PRODUCT SPEC 108-20090 APPLICATION SPEC 412-20000 WEIGHT -		Tyco Electronics AMP Italia S.r.l. Corso F.lli Cervi, 15-10093 Collegno (TO)	
DIMENSIONS: mm 		TOLERANCES UNLESS OTHERWISE SPECIFIED: 0 PLC ±0.3 1 PLC ±0.3 2 PLC ±0.3 3 PLC ± 4 PLC ± ANGLES ±2°		NAME AMP SUPERSEAL 1.5 SRS. 4 POSITIONS RECEPTACLE CONNECTOR ASS'Y SIZE A3 CAGE CODE 00779 DRAWING NO C-282088 RESTRICTED TO -	
MATERIAL SEE TABLE (VEDI TABELLA)		FINISH SEE TABLE (VEDI TABELLA)		CUSTOMER DRAWING SCALE 3:1 SHEET 1 OF 2 REV B3	

THIS DRAWING IS UNPUBLISHED. RELEASED FOR PUBLICATION 2007  
 © COPYRIGHT 2007 BY TYCO ELECTRONICS CORPORATION. ALL INTERNATIONAL RIGHTS RESERVED.

LOC		DIST		REVISIONS			
P	LTR	DESCRIPTION	DATE	DWN	APVD		
1	-	B3	SEE SHEET 1/2	-	-		



**TAB DETAILS**



HOUSING: PA66-GF  
 TABS: BRASS, TIN PLATED  
 (BLOCCHETTO DEI CONTATTI: PA66-GF  
 CONTATTI: OTTONE STAGNATO)

<small>THIS DRAWING IS A CONTROLLED DOCUMENT FOR TYCO ELECTRONICS CORPORATION          IT IS SUBJECT TO CHANGE AND THE CONTROLLING ENGINEERING ORGANIZATION          SHOULD BE CONTACTED FOR THE LATEST REVISION.</small>		DWN C. BERTINI 05-1992 CHK A. BRUNI 05-1992 APVD - PRODUCT SPEC 108-20090 APPLICATION SPEC 412-20000 WEIGHT -		<b>Tyco Electronics</b> Tyco Electronics AMP Italia S.r.l. Corso F.lli Cervi,15-10093 Collegno (TO)	
DIMENSIONS: mm 		TOLERANCES UNLESS OTHERWISE SPECIFIED: 0 PLC ±0.3 1 PLC ±0.3 2 PLC ±0.3 3 PLC ± 4 PLC ± ANGLES ±2°		NAME AMP SUPERSEAL 1.5 SRS. 4 POSITIONS RECEPTACLE CONNECTOR ASS'Y	
MATERIAL		FINISH		SIZE A3 CAGE CODE 00779 DRAWING NO C-282088 RESTRICTED TO -	
CUSTOMER DRAWING				SCALE 2:1 SHEET 2 OF 2 REV B3	