

Steel Countersunk Tapping Screws DIN 7981

G8191 = Product group; Product group discount G 81 9_

Steel Countersunk Tapping Screws DIN 7981

With Recessed Cross H Form
Packing Unit: 100 Pieces
Series: SB

Dimensions

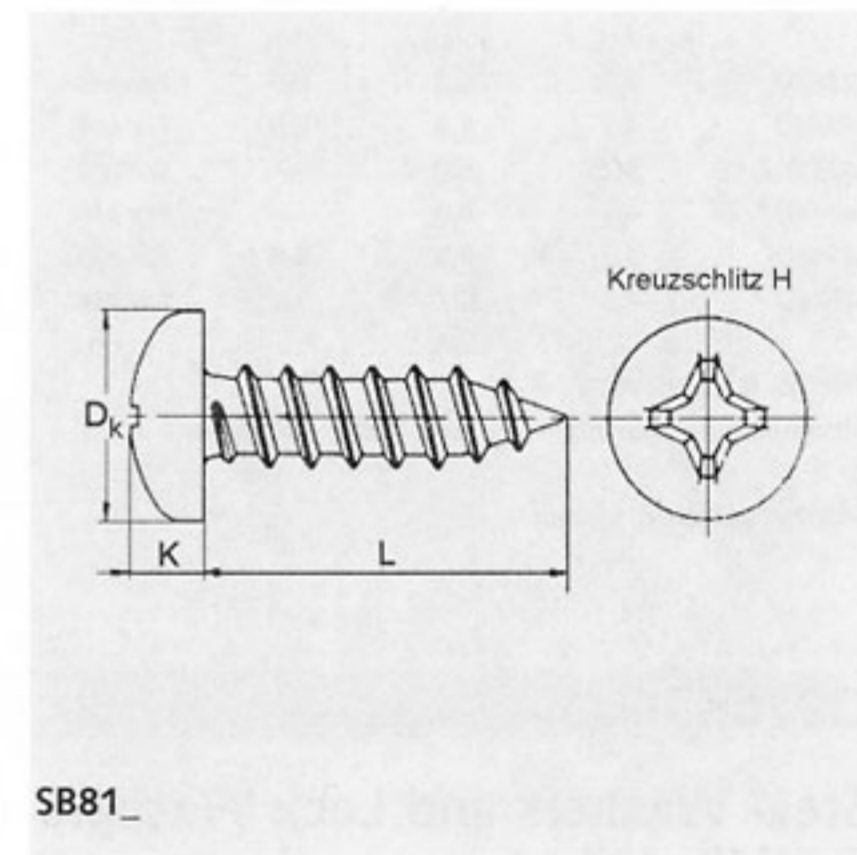
| Part Nr. | Thread Size [mm] | L [mm] | D _k [mm] | K [mm] |
|----------|---------------------|-----------|------------------------|-----------|
| SB812265 | 2,2 | 6,5 | 4,2 | 1,8 |
| SB812295 | 2,2 | 9,5 | 4,2 | 1,8 |
| SB812213 | 2,2 | 13,0 | 4,2 | 1,8 |
| SB812965 | 2,9 | 6,5 | 5,6 | 2,2 |
| SB812995 | 2,9 | 9,5 | 5,6 | 2,2 |
| SB812913 | 2,9 | 13,0 | 5,6 | 2,2 |
| SB812916 | 2,9 | 16,0 | 5,6 | 2,2 |
| SB812919 | 2,9 | 19,0 | 5,6 | 2,2 |
| SB812922 | 2,9 | 22,0 | 5,6 | 2,2 |
| SB812925 | 2,9 | 25,0 | 5,6 | 2,2 |
| SB813513 | 3,5 | 13,0 | 7,5 | 2,8 |
| SB813995 | 3,9 | 9,5 | 7,5 | 2,8 |

Terms of Delivery

Minimum order quantity: 1 PKU = 1 Pack = 100 pieces

Manufacturer: Various

| Part Nr. | Part description |
|----------|-------------------------------|
| SB812265 | Tapping Screws 2,2x6,5 PKU100 |
| SB812295 | Tapping Screws 2,2x9,5 PKU100 |
| SB812213 | Tapping Screws 2,2x13 PKU100 |
| SB812965 | Tapping Screws 2,9x6,5 PKU100 |
| SB812995 | Tapping Screws 2,9x9,5 PKU100 |
| SB812913 | Tapping Screws 2,9x13 PKU100 |
| SB812916 | Tapping Screws 2,9x16 PKU100 |
| SB812919 | Tapping Screws 2,9x19 PKU100 |
| SB812922 | Tapping Screws 2,9x22 PKU100 |
| SB812925 | Tapping Screws 2,9x25 PKU100 |
| SB813513 | Tapping Screws 3,5x13 PKU100 |
| SB813995 | Tapping Screws 3,9x9,5 PKU100 |



G8192 = Product group; Product group discount G 81 9_

Steel Countersunk Tapping Screws DIN 7981

With Recessed Cross H Form
Packing Unit: 1000 Pieces
Series: SB

Dimensions

| Part Nr. | Thread Size [mm] | L [mm] | D _k [mm] | K [mm] |
|-----------|---------------------|-----------|------------------------|-----------|
| SB812965K | 2,9 | 6,5 | 5,6 | 2,2 |
| SB812995K | 2,9 | 9,5 | 5,6 | 2,2 |
| SB813995K | 3,9 | 9,5 | 7,5 | 2,8 |

Terms of Delivery

Minimum order quantity: 1 PKU = 1 Pack = 1000 pieces

Manufacturer: Various

| Part Nr. | Part description |
|-----------|--------------------------------|
| SB812965K | Tapping Screws 2,9x6,5 PKU1000 |
| SB812995K | Tapping Screws 2,9x9,5 PKU1000 |
| SB813995K | Tapping Screws 3,9x9,5 PKU1000 |

