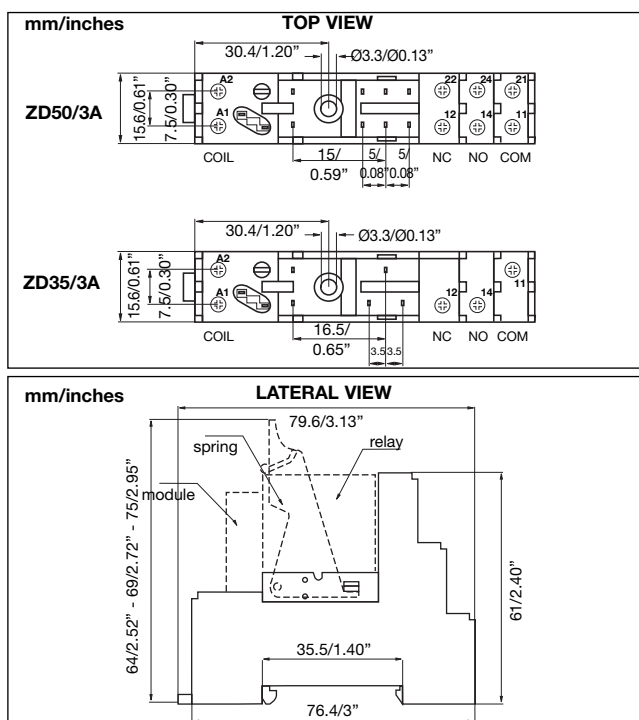
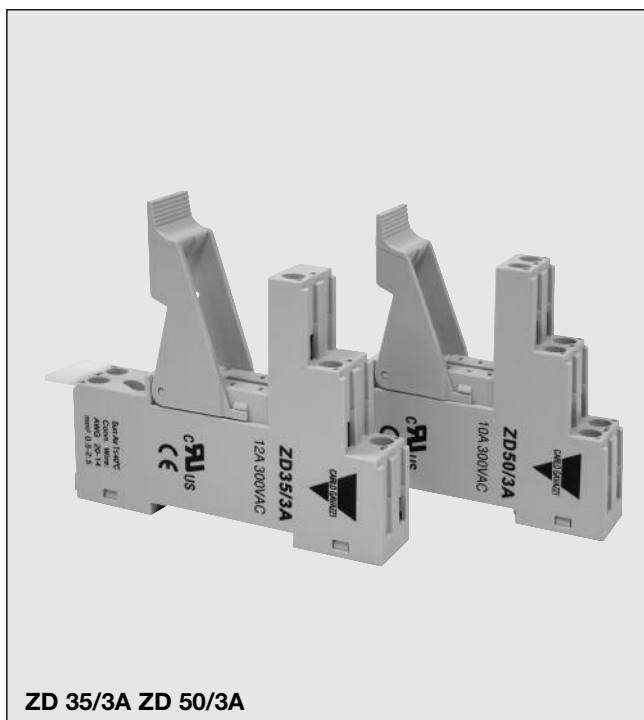


## Sockets for Miniature Relays

### ZD 35/3A ZD 50/3A



## General data

Plastic Material	PA66 +GF - V2
Contact Material	Cu Ni
Contact surface	5µm tin plated
Terminals	8µm zinc plated steel
Terminal type	Screw cage
Screws	5µm nickel plated 8.8 steel
Screw type	M3 with combi head (slotted, Philips Gr.1, Pozi)
Ratings @ 300VAC	12A (ZD 35/3A) 10A x 2 (ZD 50/3A)
UL Rating 300VAC	12A (ZD 35/3A) 10A (ZD 50/3A)

Operating temp.	-25° to +85°C (-13° to +185°F)
Standard colour	RAL 7035 / Pantone Grey1C
Insulation voltage	4000V
Between Coil and Contacts	2500V
Between Contacts	
Creepage and Clearance	Gr.C250, VDE 0110b / 2.79
Maximum Screw torque	1N/m
Max Wire section	0.5-2.5mm <sup>2</sup> (20AWG 14AWG)
Flex / compact wire	2 x 1.5mm <sup>2</sup> (16AWG)
Cable End	
Terminal Protection degree	IP 20 (EN60529)

Note:  
Hold down spring not included, remember to order proper one.

Relay Type	Socket P.N.	Hold Down Spring
MZ 100/001 16A MZ 200/002	ZD 50/3A	SZD 25
MZ 100/001 5/10A	ZD 35/3A	SZD 25

## Approvals



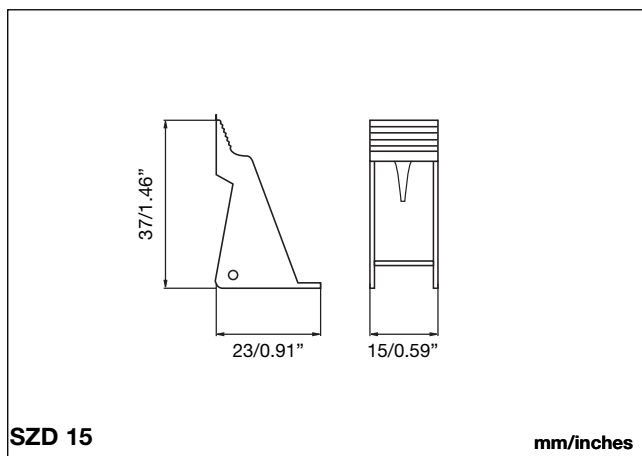
Box content: 20 sockets, 20 labels	
Box size: (W 185 x D 165 x H 70) mm	Weight: ~950g
(W 7.28 x D 6.50 x H 2.75) inches	Weight: ~33.5oz

## Optional Accessories (to be ordered separately if required)

Labels	6.73.00.61.2
Bridging bar	ZD-BB
Modules	
Hold Down Springs	

## Optional Springs for ZD series

### SZD 15



### General data

Spring material	PA66 + GF (V0)
Spring colour	RAL 7035 / Pantone 1C

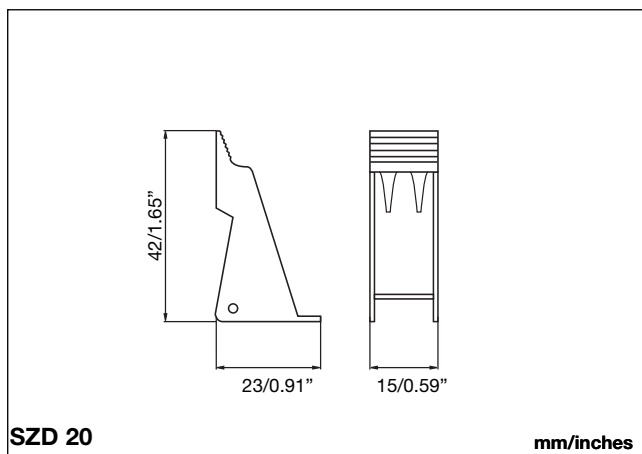
#### Packaging

Box content:	1 plastic bag, 10pcs.
Weight:	~20g (0.70oz)



Hold down spring for 15±16mm (0.59±0.63inches) high relay

### SZD 20



### General data

Spring material	PA66 + GF (V0)
Spring colour	RAL 7035 / Pantone 1C

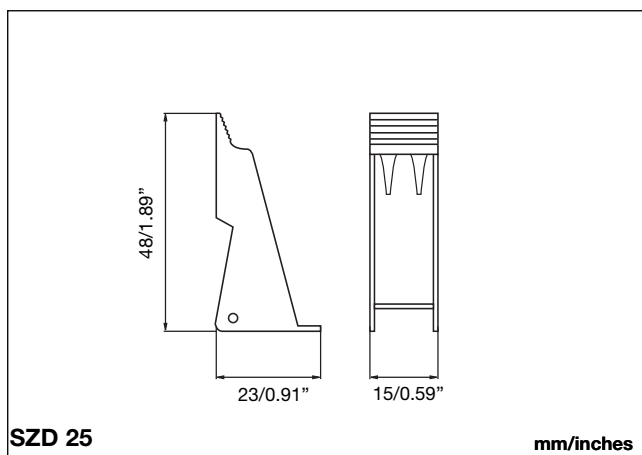
#### Packaging

Box content:	1 plastic bag, 10pcs.
Weight:	~20g (0.70oz)



Hold down spring for 20±21mm (0.79±0.83inches) high relay

### SZD 25



### General data

Spring material	PA66 + GF (V0)
Spring colour	RAL 7035 / Pantone 1C

#### Packaging

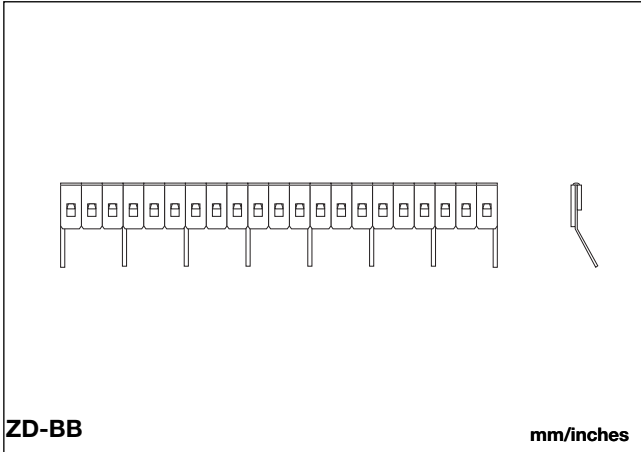
Box content:	1 plastic bag, 10pcs.
Weight:	~20g (0.70oz)



Hold down spring for 25±28mm (0.98±1.10inches) high relay

## Optional sockets bridging bars

### ZD-BB



### General data

Plastic insulator material	PA66 + GF (V0)
Plastic insulator colour	Black
Metal jumper	Tinned copper

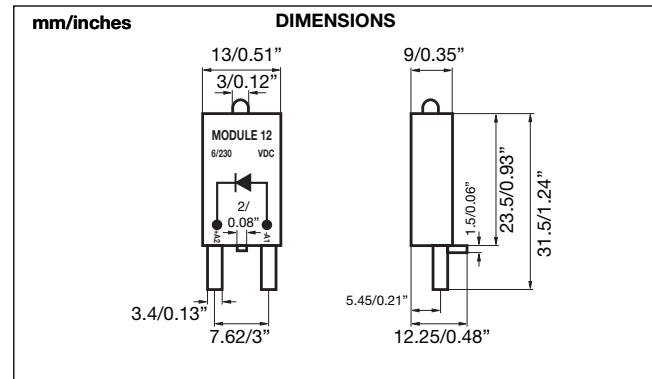
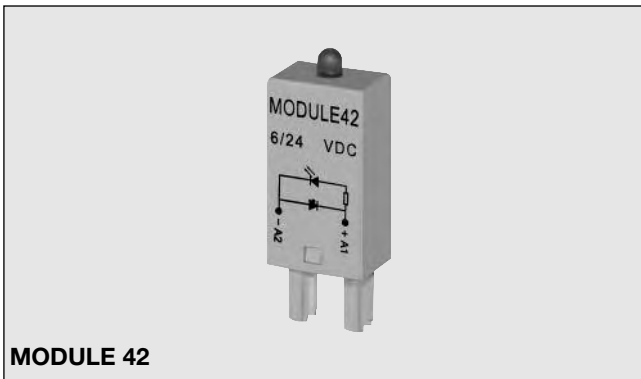
### Packaging

Box content: 1 plastic bag, 10pcs.  
Weight: ~50g (~1.76oz)



## Optional Function Modules

### Modules for ZMI and ZD sockets



### Approvals



European low-voltage  
directive compliant



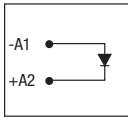
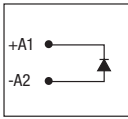
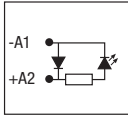
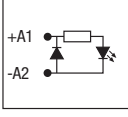
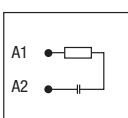
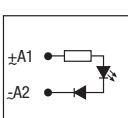
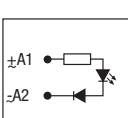
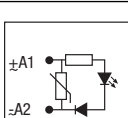
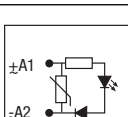
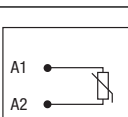
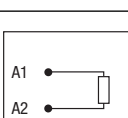
### General data

Module material	PA66+GF (V0)
Module colour	RAL 7035 / Pantone 1C

### Packaging

Box content: 1 bag, 100pcs.  
Box size: W 160 x D 70 x H 80 mm Weight: ~350g  
(W 6.30 x D 2.75 x H 3.15) inches Weight: ~12.3oz

## Types and electrical configurations

Diagram	Type	Description	Operating voltage	LED Colour	Ordering code		Notes	
					ZMI, ZD, ZDM Sockets	ZPD9, ZPD11		
	12	Free wheeling diode A2 +	6 / 230VDC	n.a.	<b>MODULE12</b>	<b>MODULE11</b>		
	22	Free wheeling diode A1 +	6 / 230VDC	n.a.	<b>MODULE22</b>	<b>MODULE21</b>		
	32	Free wheeling diode A2 +, with LED	6 / 24VDC	Red	<b>MODULE32</b>	n.a.		Only for DC relays
			24 / 60VDC		<b>MODULE32B</b>			
			110 / 230VDC		<b>MODULE32C</b>			
			6 / 24VDC	Green**	<i>MODULE32/G</i>			
			24 / 60VDC		<i>MODULE32B/G</i>			
			110 / 230VDC		<i>MODULE32C/G</i>			
	42	Free wheeling diode A1 +, with LED	6 / 24VDC	Red	<b>MODULE42</b>	n.a.		
			24 / 60VDC		<b>MODULE42B</b>			
			110 / 230VDC		<b>MODULE42C</b>			
			6 / 24VDC	Green**	<i>MODULE42/G</i>			
			24 / 60VDC		<i>MODULE42B/G</i>			
			110 / 230VDC		<i>MODULE42C/G</i>			
	52	RC Filter	110/240VAC	n.a.	<b>MODULE52</b>	<b>MODULE51</b>	Only for AC relays	
		RC Filter	6 / 24VAC		<b>MODULE52B</b>	<b>MODULE51B</b>		
		RC Filter	24 / 60VAC		<b>MODULE52D</b>	<b>MODULE51D</b>		
	62	Signalling LED	6 / 24V	Red	<b>MODULE62</b>	n.a.	Can work with AC and DC Relays	
	92		24 / 60V		<b>MODULE62E</b>			
			110 / 230V		<b>MODULE92</b>			
	62	Signalling LED	6 / 24V	Green**	<i>MODULE62/G</i>			
	92		24 / 60V		<i>MODULE62E/G</i>			
			110 / 230V		<i>MODULE92/G</i>			
	62	Signalling LED, with Varistor	6 / 24V	Red	<b>MODULE62C</b>			
	92		24 / 60V		<b>MODULE62D</b>			
			110 / 230V		<b>MODULE92C</b>			
	62	Signalling LED, with Varistor	6 / 24V	Green**	<i>MODULE62C/G</i>			
	92		24 / 60V		<i>MODULE62D/G</i>			
			110 / 230V		<i>MODULE92C/G</i>			
	72	Varistor	6 / 24VAC	n.a.	<b>MODULE72</b>	<b>MODULE71</b>		
	82		115VAC		<b>MODULE72A</b>	<b>MODULE71A</b>		
			230VAC		<b>MODULE82</b>	<b>MODULE81</b>		
	102	Resistor	110 / 230VAC	n.a.	<b>MODULE102</b>	n.a.		

\*\* Non standard devices normally not in stock and production upon request

Specifications are subject to change without notice. Pictures are just an example. For special features and/or customization, please ask to our sales network