

Storage/Suppression Chokes

D2274 = Product group; Product group discount D 22 7_

TALEMA Storage/Suppression Chokes

Open Mount
Rated Current: 3A
Series: DPU

Technical Specifications

Part Nr.	I_N [A]	L_N [μH]	L_0 [μH]	R_{DC} [Ω]	E [μJ]	a [mm]	b [mm]
DPU022A3	3,0	22	34	0,050	99	14	8
DPU033A3	3,0	33	49	0,038	149	19	8
DPU047A3	3,0	47	75	0,048	212	20	8
DPU068A3	3,0	68	92	0,060	306	25	12
DPU100A3	3,0	100	157	0,080	458	25	12
DPU150A3	3,0	150	256	0,107	675	25	12
DPU220A3	3,0	220	346	0,134	990	29	13
DPU330A3	3,0	330	625	0,142	1485	30	14
DPU470A3	3,0	470	727	0,187	2115	42	14

I_N = Rated Current, L_N = Inductive Load, Min., L_0 = Inductance, No Load (0,1V AC @ 10kHz, ±15%, at 25°C), R_{DC} = DC Resistance, Max., E = Energy Stored, Min.

Note


General product information see introduction text "D2271 to D2284" before product group D2271.

Additional Products

Orders of 200 pieces on request, delivery time approx. 12 weeks.

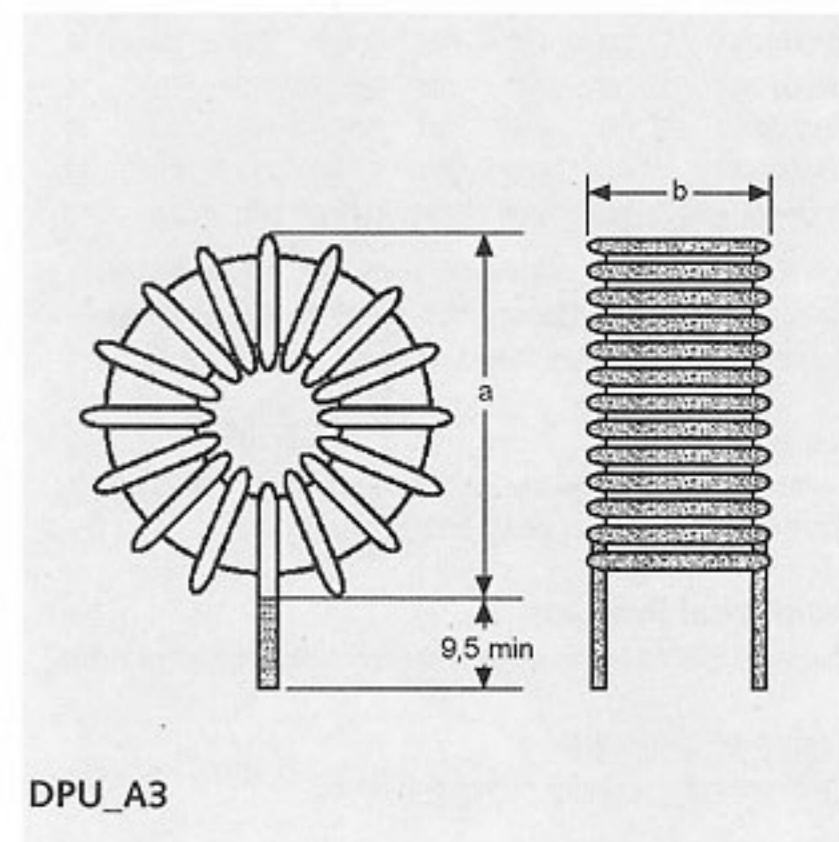
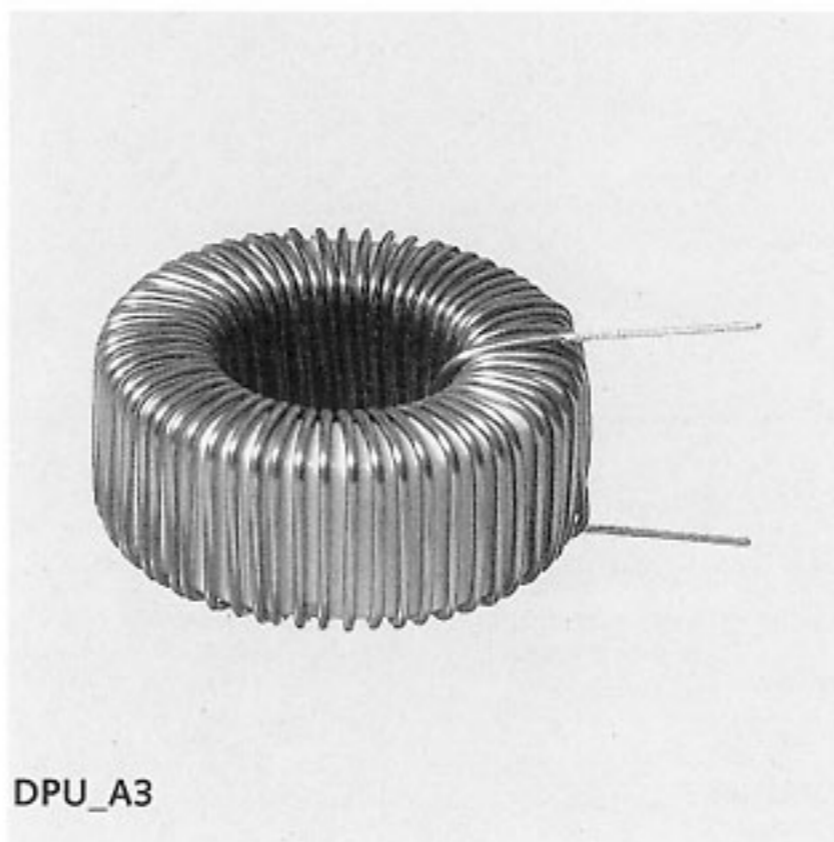
Terms of Delivery

Minimum order quantity: 1 PKU = 10 pieces

Manufacturer: 

<http://www.talema.de>

Part Nr.	Part description
DPU022A3	Inductor 22uH 3A
DPU033A3	Inductor 33uH 3A
DPU047A3	Inductor 47uH 3A
DPU068A3	Inductor 68uH 3A
DPU100A3	Inductor 100uH 3A
DPU150A3	Inductor 150uH 3A
DPU220A3	Inductor 220uH 3A
DPU330A3	Inductor 330uH 3A
DPU470A3	Inductor 470uH 3A



D2275 = Product group; Product group discount D 22 7_

TALEMA Storage/Suppression Chokes

Open Mount
Rated Current: 5A
Series: DPU

Technical Specifications

Part Nr.	I_N [A]	L_N [μH]	L_0 [μH]	R_{DC} [Ω]	E [μJ]	a [mm]	b [mm]
DPU33A5	5,0	33	48	0,036	413	25	12
DPU47A5	5,0	47	82	0,043	588	25	12
DPU68A5	5,0	68	137	0,055	850	26	12
DPU100A5	5,0	100	172	0,059	1250	30	13
DPU150A5	5,0	150	221	0,094	1875	41	13
DPU220A5	5,0	220	381	0,097	2750	41	13

I_N = Rated Current, L_N = Inductive Load, Min., L_0 = Inductance, No Load (0,1V AC @ 10kHz, ±15%, at 25°C), R_{DC} = DC Resistance, Max., E = Energy Stored, Min.

Note

General product information see introduction text "D2271 to D2284" before product group D2271.

Additional Products

Orders of 200 pieces on request, delivery time approx. 12 weeks.

Terms of Delivery

Minimum order quantity: 1 PKU = 10 pieces

Manufacturer: 

<http://www.talema.de>

Part Nr.	Part description
DPU33A5	Inductor 33uH 5A
DPU47A5	Inductor 47uH 5A
DPU68A5	Inductor 68uH 5A
DPU100A5	Inductor 100uH 5A
DPU150A5	Inductor 150uH 5A
DPU220A5	Inductor 220uH 5A

