

# SMD Tact Switches

**E3383** = Product group; Product group discount E 33 8\_

## DIPTRONICS SMD Tact Switches

Dimensions: 6x6mm  
Operating Force: 1,6N  
Series: DTSM6\_N

### Features

- Single pole input key with an SPST-NO contact
- For SMD assembly
- Very small dimensions
- Data and signal technology, measuring and controlling, membrane keyboards

### Technical Specifications

Switching Contact, Max.: .....12V DC  
Switching Current, Max.: .....50mA  
Test Voltage, 1min.: .....250V AC  
Operating Life with Switching Capacity: .....200,000 Operations  
Contact Resistance, Max.: .....100mΩ  
Insulation Resistance, Min.: .....100MΩ/500V DC  
Switching Type: .....1 NO Contact  
Operating Force: .....1,6N  
Operating Path: .....0,25mm  $\pm 0.2$ ,  $-0.1$   
Insulation Material: .....Thermoplastic Nylon, UL94V-0  
Contact Surface: .....Bronze with Silver Cladding  
Soldering Temperature, Max.: .....255°C  
Operating Temperature: .....-25...+70°C

### Dimensions

Part Nr.	H [mm]
DTSM61N	4,3 $\pm 0.2$
DTSM63N	7,0 $\pm 0.2$
DTSM65N	9,5 $\pm 0.2$
DTSM66N	13,0 $\pm 0.2$

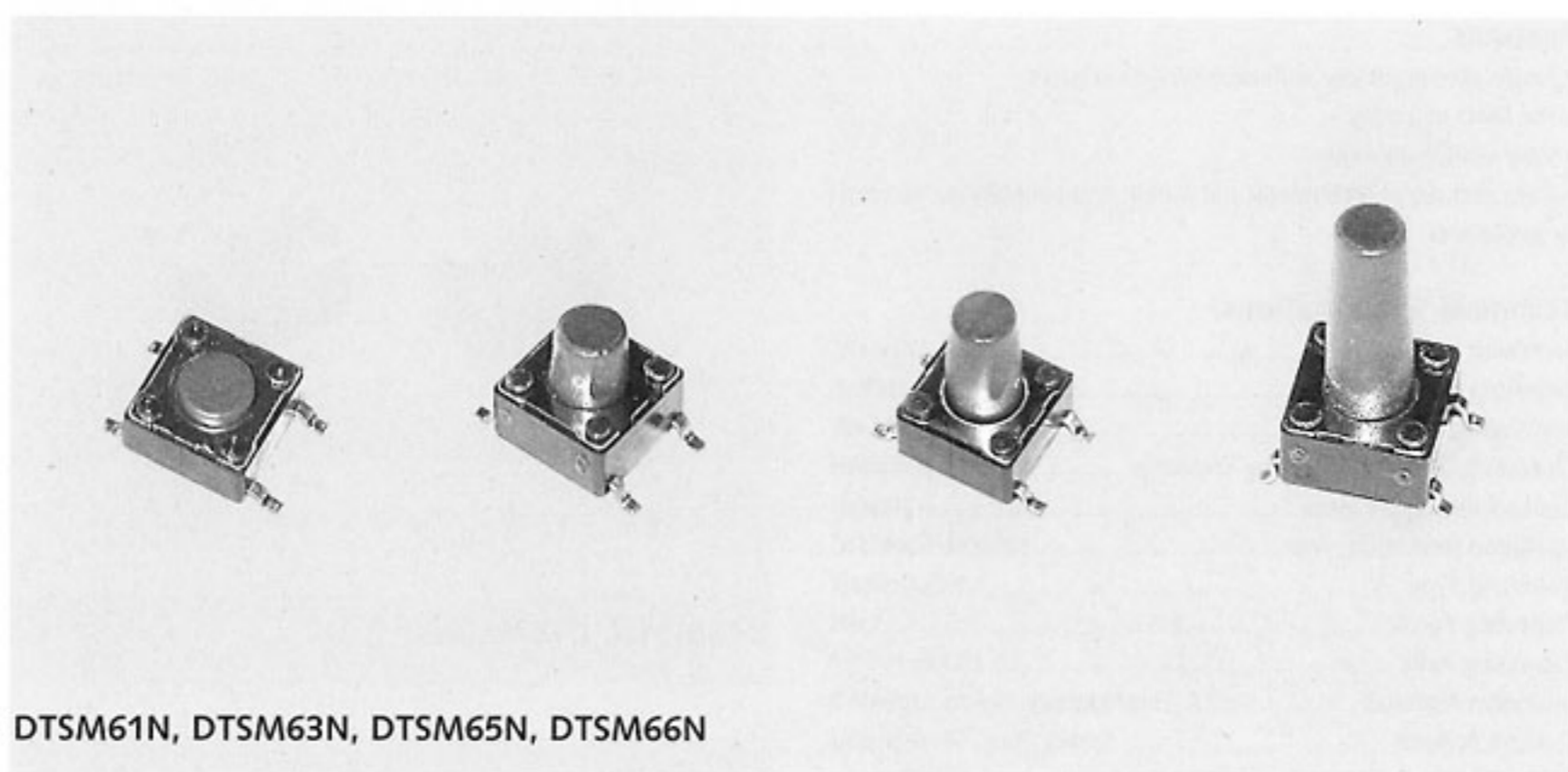
### Terms of Delivery

Minimum order quantity: 1 PKU = 100 pieces

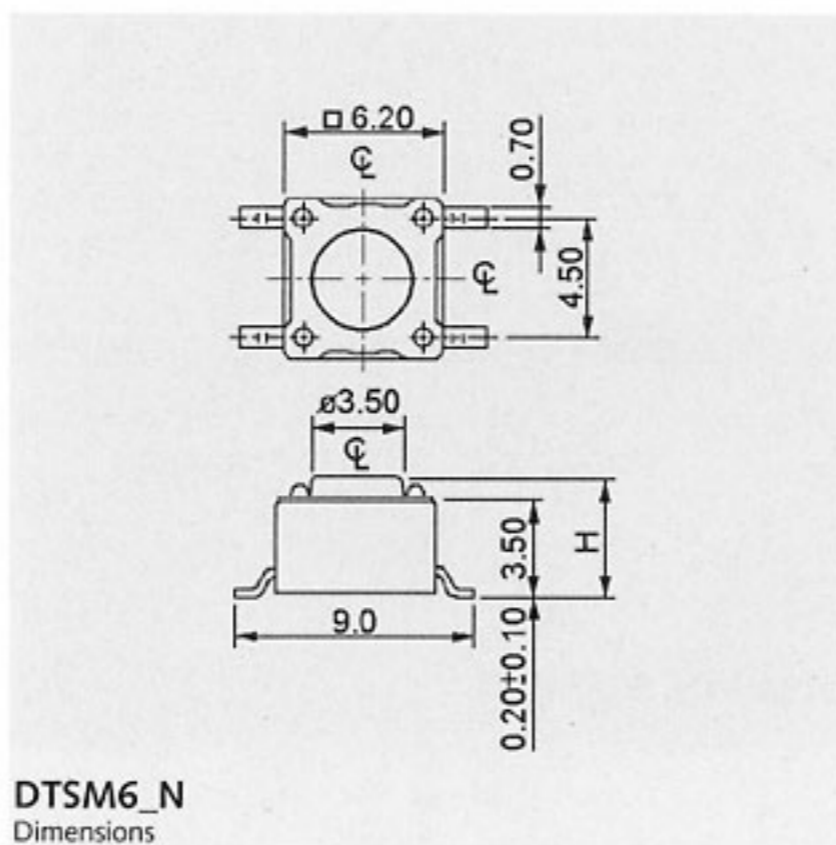
Manufacturer: Diptronics

<http://www.dip.com.tw>

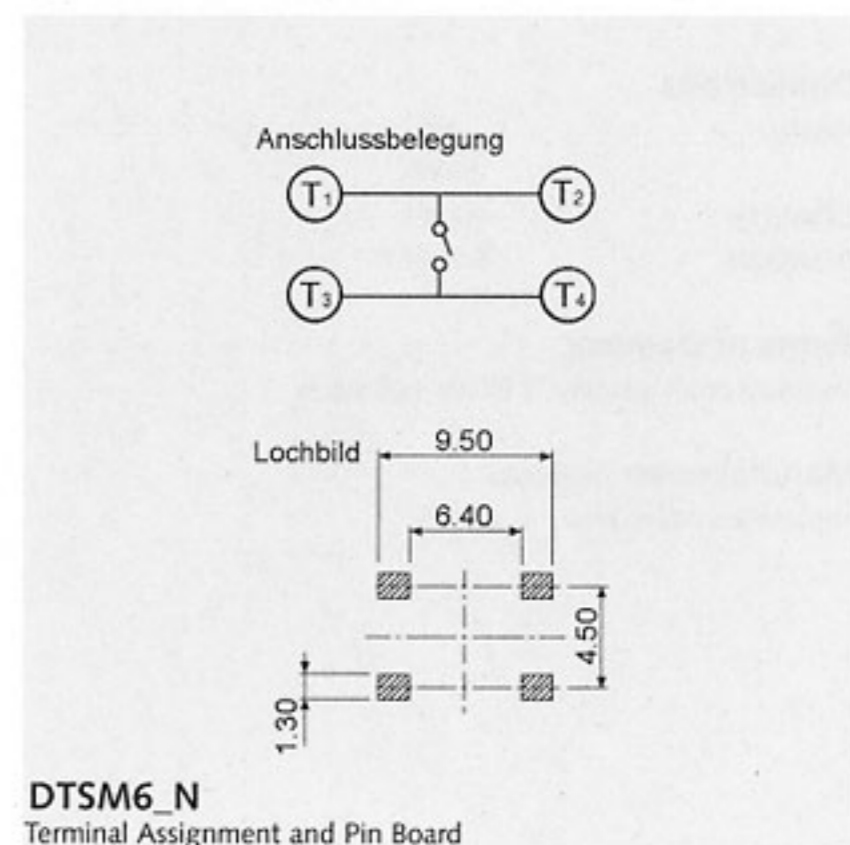
Part Nr.	Part description
DTSM61N	SMD Tact Switch Horizontal 4,3mm 1,6N
DTSM63N	SMD Tact Switch Horizontal 7,0mm 1,6N
DTSM65N	SMD Tact Switch Horizontal 9,5mm 1,6N
DTSM66N	SMD Tact Switch Horizontal 13mm 1,6N



DTSM61N, DTSM63N, DTSM65N, DTSM66N



DTSM6\_N  
Dimensions



DTSM6\_N  
Terminal Assignment and Pin Board

**E3385** = Product group; Product group discount E 33 8\_

## OMRON SMD Tact Switches

Style: Taped  
Dimensions: 6x6mm  
Operating Force: 1,57N or 2,25N  
Series: B3S

### Features

- High mechanical and electrical operating life
- Sealed version, guarantees dust and humidity protection

### Technical Specifications

Switching Capacity, Max.: .....30mA/24V DC  
Test Voltage, 1min.: .....500V AC  
Switching Type: .....1 NO Contact  
Operating Life with Switching Capacity  
B3S-1000P: .....500,000 Operations  
B3S-1002P: .....300,000 Operations  
Operating Force  
B3S-1000P: .....1,57N  
B3S-1002P: .....2,25N  
Operating Path: .....0,25mm  
Contact Surface: .....Silver Cladding  
Soldering Temperature, Max.: .....230°C, 10s  
Operating Temperature: .....-25...+70°C

### Terms of Delivery

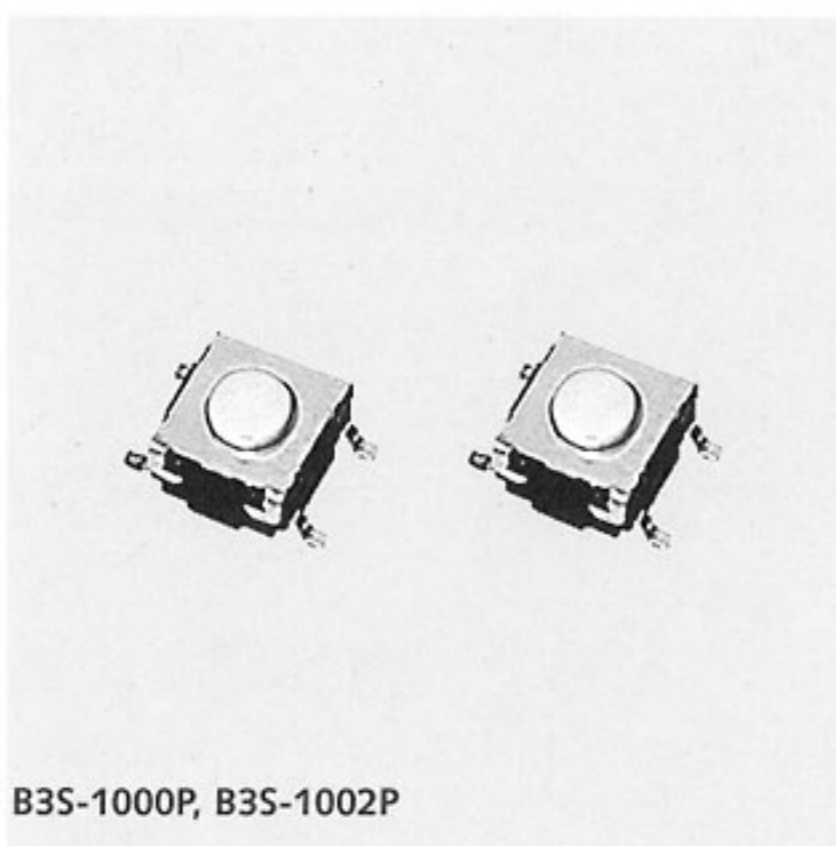
Minimum order quantity: 1 PKU = 100 pieces

Delivery contents: orders of less than 1000 pieces: 100 pieces on tape segment without leader tape and reel; orders of 1000 pieces upwards: delivery on reel

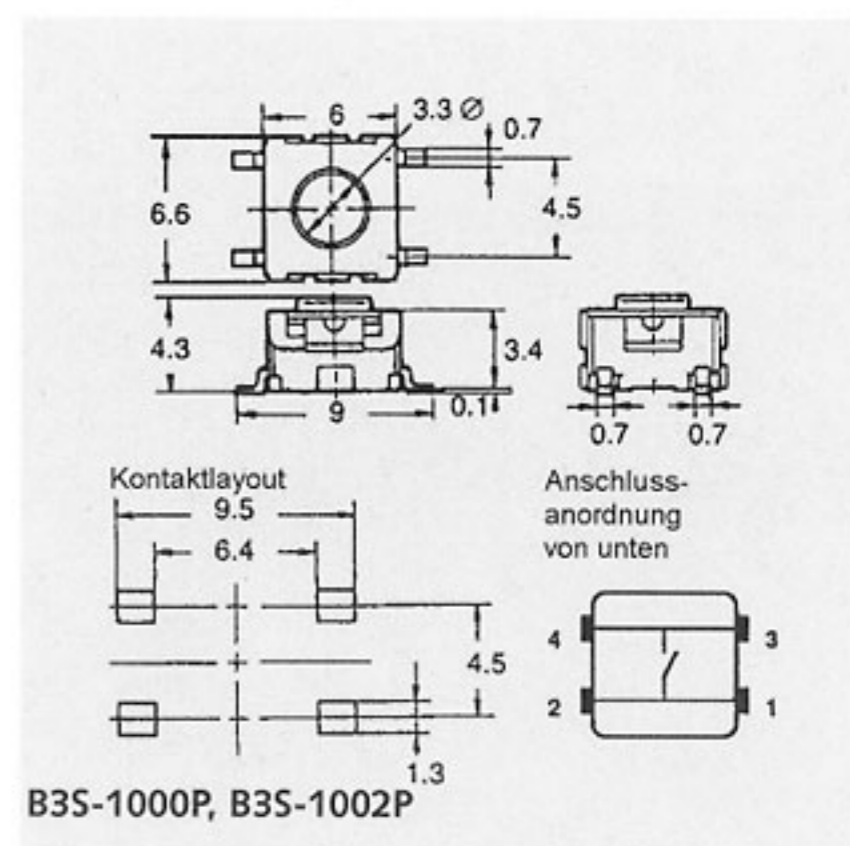
Manufacturer: OMRON

<http://www.omroncomponents.co.uk>

Part Nr.	Part description
B3S-1000P	SMD Tact Switch Horizontal 1,57N Taped
B3S-1002P	SMD Tact Switch Horizontal 2,25N Taped



B3S-1000P, B3S-1002P



B3S-1000P, B3S-1002P