

# Extruded Heatsinks

**G9511** = Product group; Product group discount G 95 1\_

## Extruded Heatsinks For TO220 Surface: Black Anodized Series: SK

### Features

- SK09-20SA220: Finger-type heatsinks for all semiconductors in TO220 housing
- SK64-37SA1M3: Special heatsink with holes and M3 fixing lugs for 1 x TO220
- SK5583E: Special heatsink to screw onto one or more TO220 housing in fixing lug holes at the side

### Technical Specifications

| Part Nr.     | Thermal Resistance<br>[K/W] | Length<br>[mm] |
|--------------|-----------------------------|----------------|
| SK09-20SA220 | 15,0                        | 20,0           |
| SK64-37SA1M3 | 2,3                         | 37,5           |
| SK5583E      | 4,6                         | 50,0           |

### Note

You will find heat conductor pastes for optimal heat transfer in our red "Components & Devices" catalogue at product group R3211.

### Additional Products

Also available on request, orders of 500 pieces upwards (delivery time approx. 4 weeks)

SK09\_ in 37,5mm, 50mm and 100mm length

SK64\_ with two holes and M3 fixing lug for two TO220 housings, length 75mm

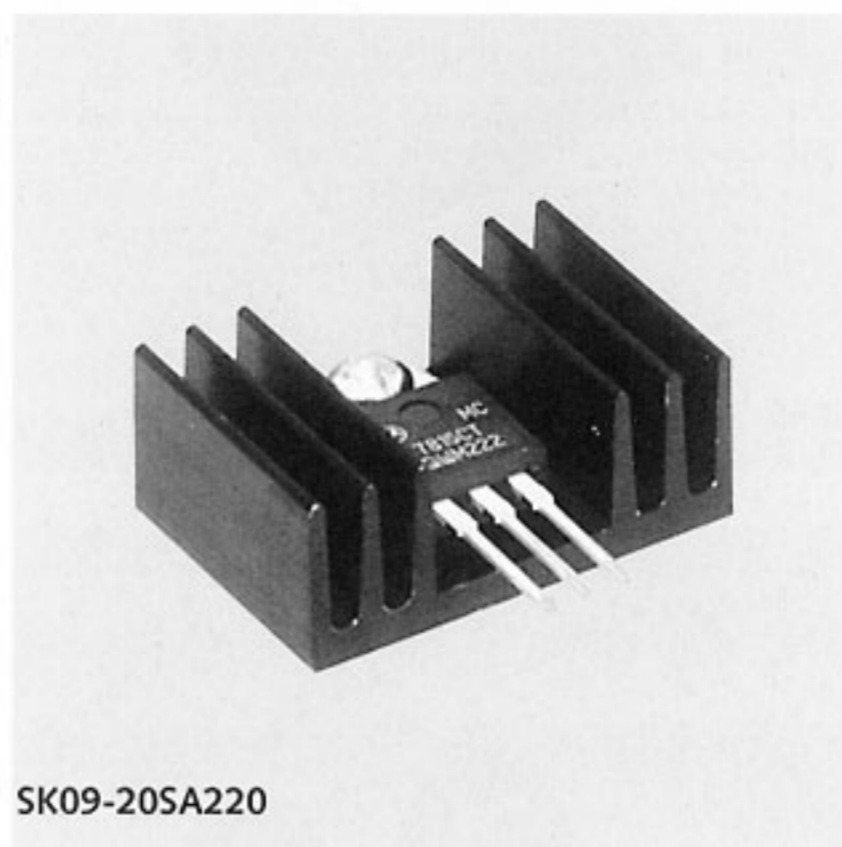
SK5583\_ in 37,5mm, 75mm and 90mm length

### Terms of Delivery

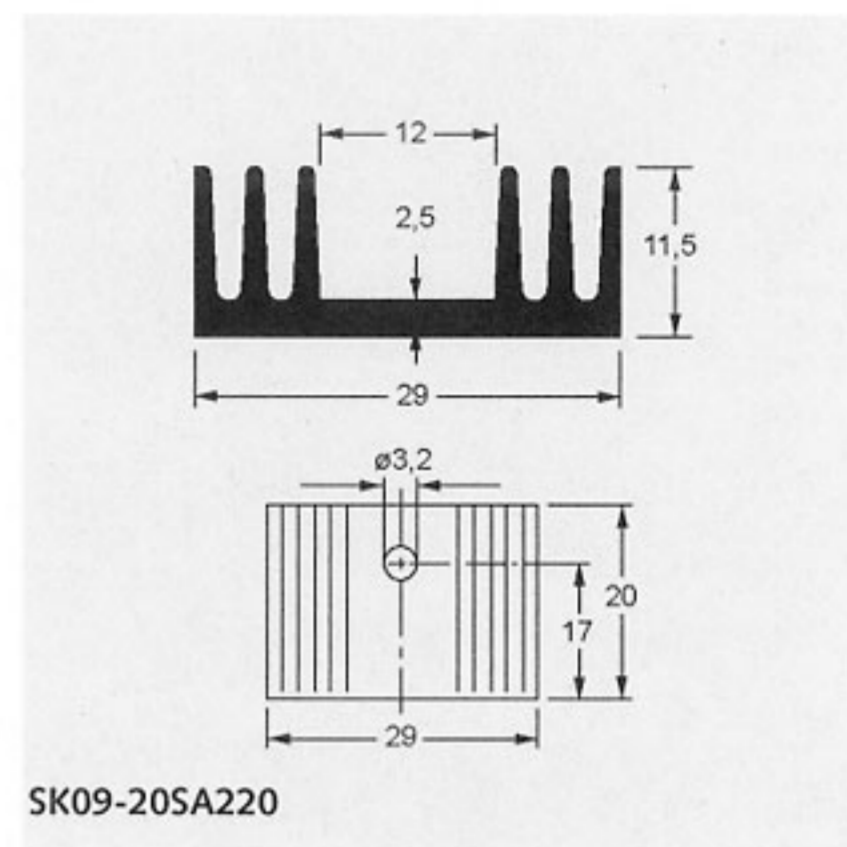
Minimum order quantity: 1 PKU = 5 pieces

Manufacturer: Various

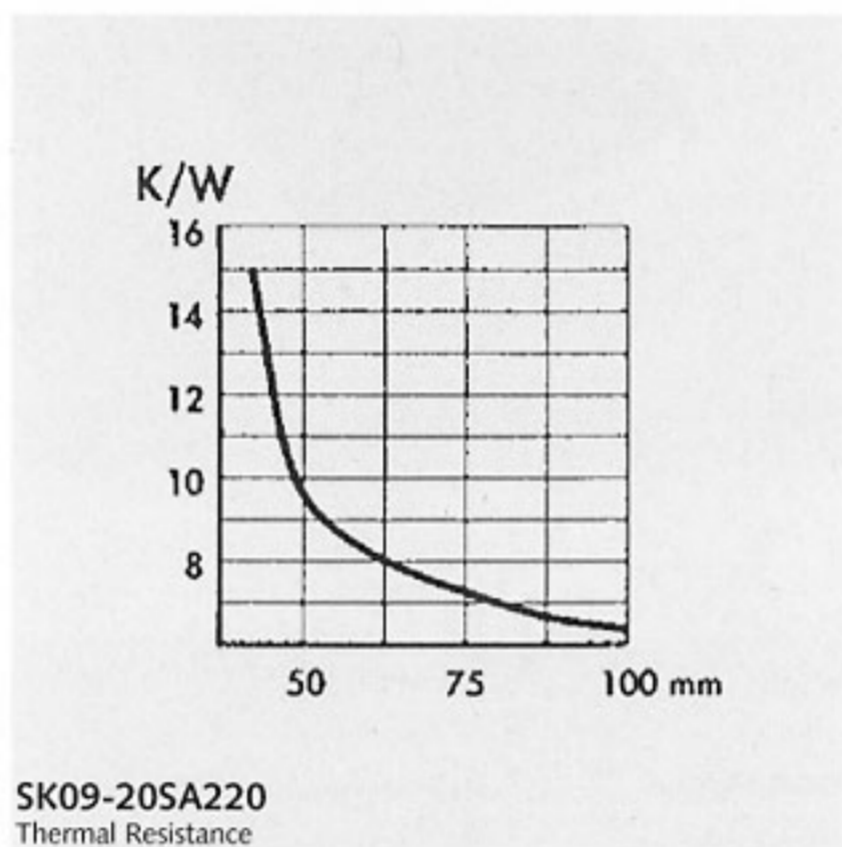
| Part Nr.     | Part description                     |
|--------------|--------------------------------------|
| SK09-20SA220 | Heatsink for TO220 20mm Black        |
| SK64-37SA1M3 | Heatsink for TO220 37,5mm 1xM3 Black |
| SK5583E      | Heatsink for TO220 50mm Black        |



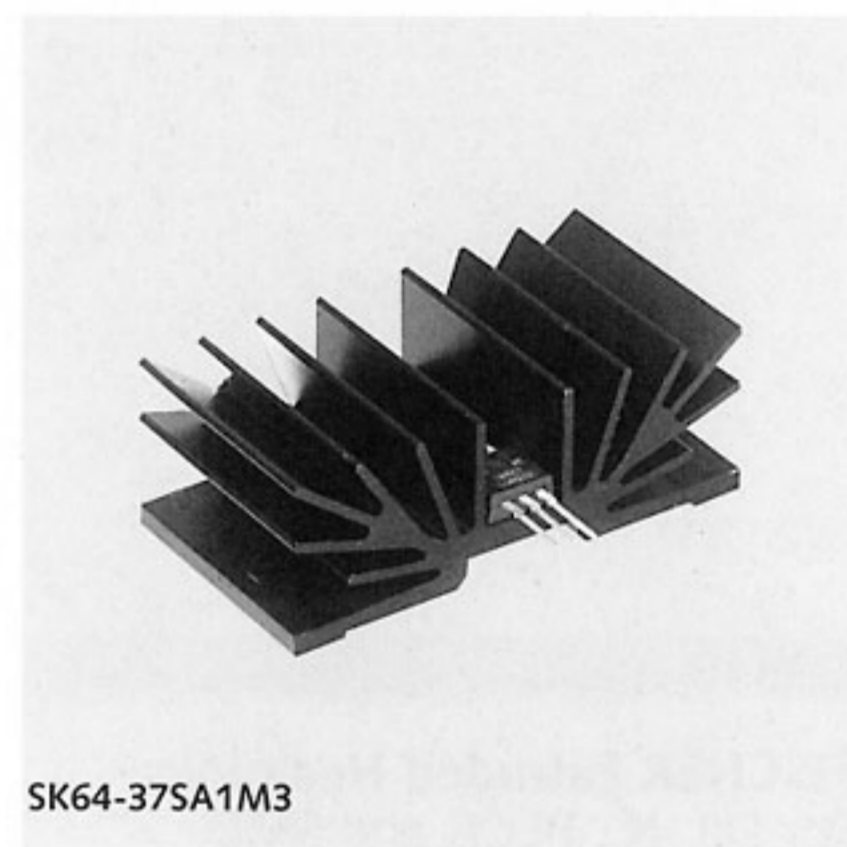
SK09-20SA220



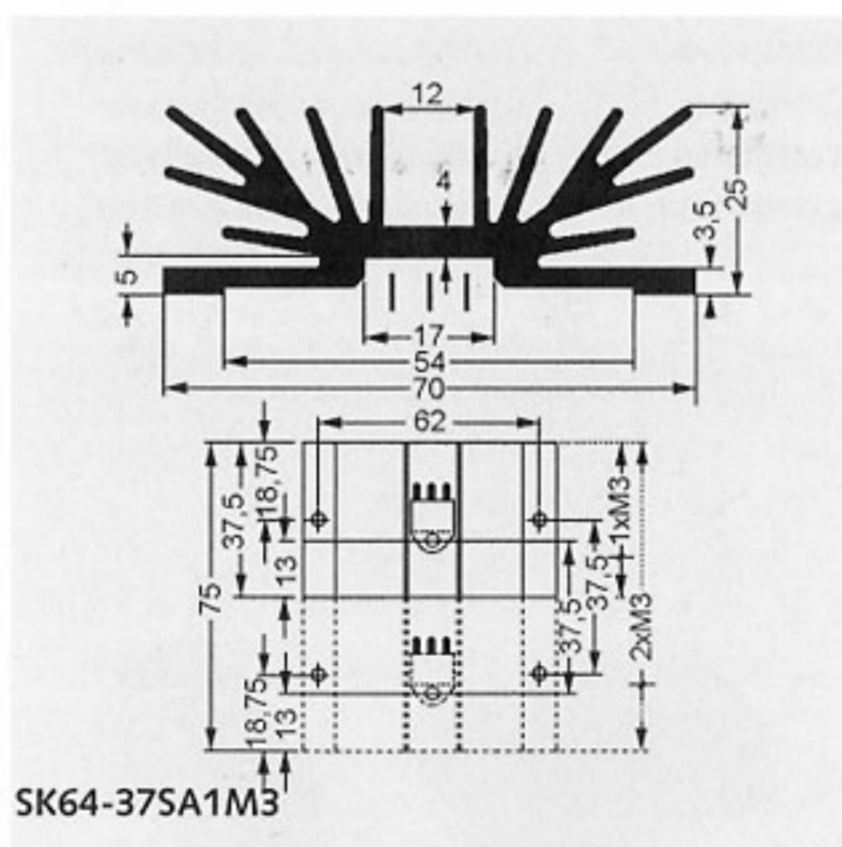
SK09-20SA220



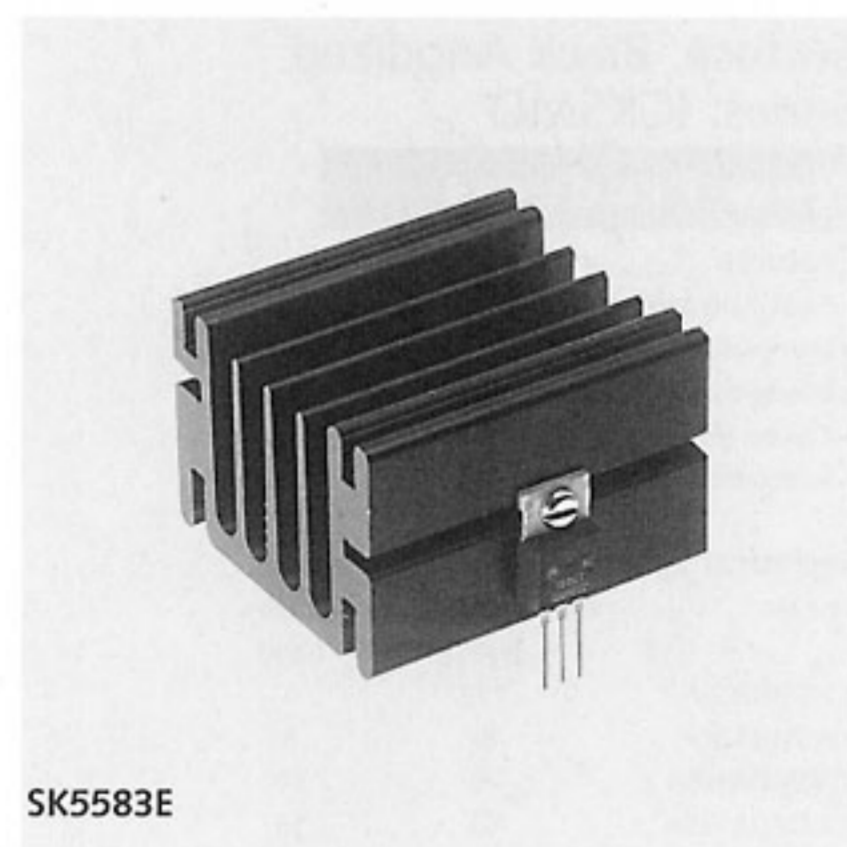
SK09-20SA220  
Thermal Resistance



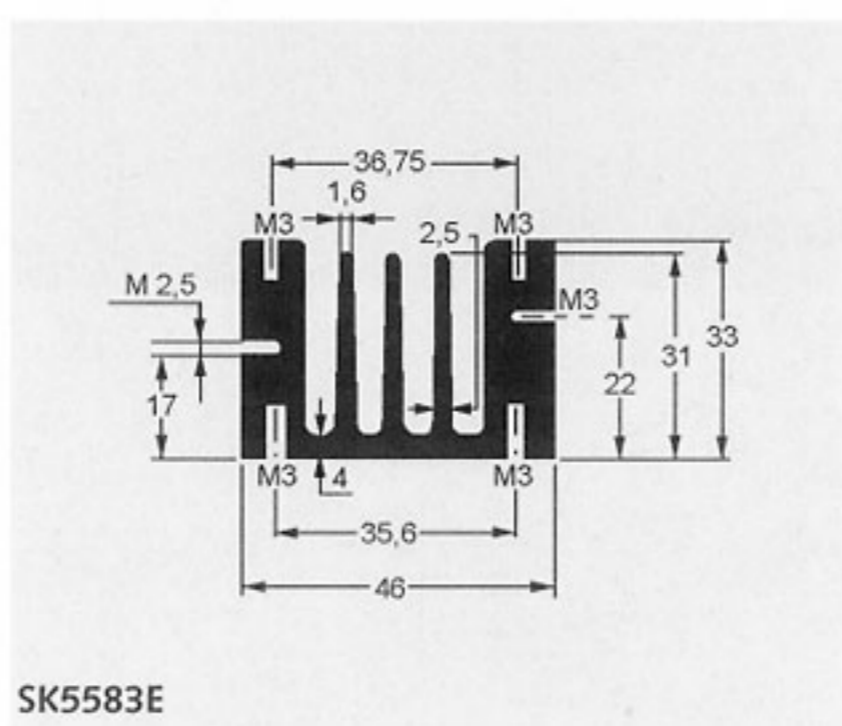
SK64-37SA1M3



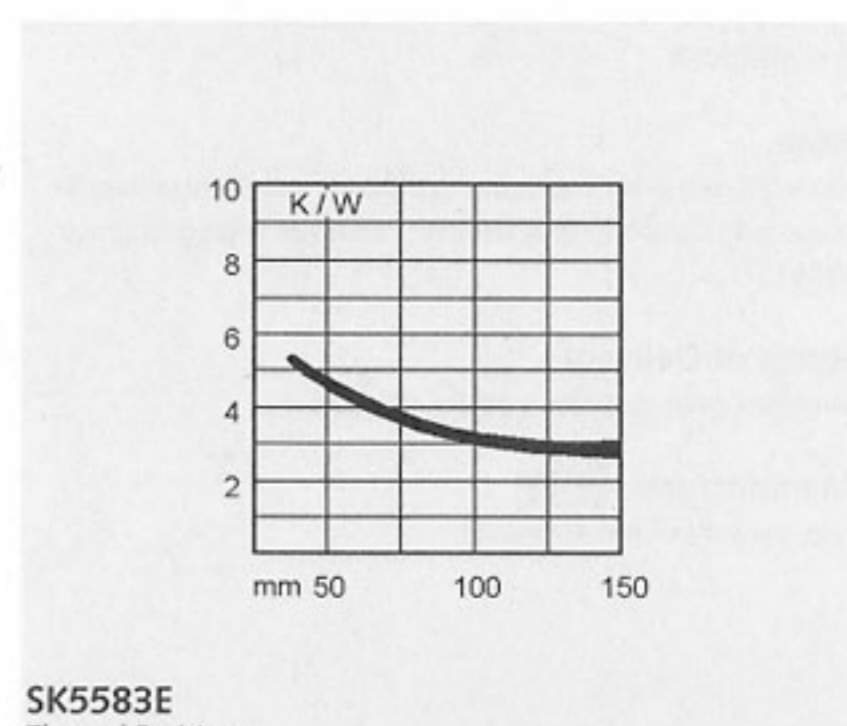
SK64-37SA1M3



SK5583E



SK5583E



SK5583E  
Thermal Resistance