

# PRE Ø56mm LED Steady & Flashing with Buzzer

## TOWER LIGHTS



- Long life and reliability
- Prism-cut lenses for even light distribution
- Surface, Pole or Wall Mounted (Order poles & bases separately)
- Wire leads
- Add-on Buzzer (80 dB) kit available



### Order Information

<b>PRE</b>	<b>F</b>	<b>5</b>	<b>01</b>	<b>RYGBC</b>
①	②	③	④	
<b>Light Style</b>	<b>F</b>		Steady	Steady & Flashing
<b>Number of Stacks</b>	<b>1</b>		1 Light	
	<b>2</b>		2 Lights	
	<b>3</b>		3 Lights	
	<b>4</b>		4 Lights	
	<b>5</b>		5 Lights	
<b>Power Supply</b>	<b>01</b>		DC/AC 12V	
	<b>02</b>		DC/AC 24V	
	<b>10</b>		AC 110V	
	<b>20</b>		AC 220V	
<b>Lens Colors (top to bottom)</b>	<b>R</b>		Red	
	<b>Y</b>		Yellow	
	<b>G</b>		Green	
	<b>B</b>		Blue	
	<b>C</b>		Clear	

### Optional Orders

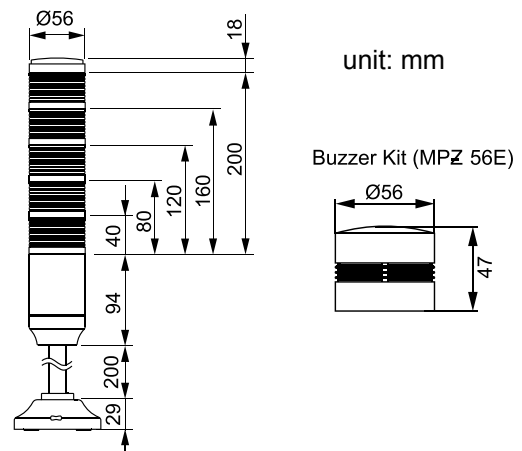
PART	PART NUMBER	DESCRIPTION
Buzzer	MPZ-56E	Ø56mm, 80dB (30mA), 24~240V DC/AC *Buzzer is not available for 12V DC/AC.

#### Replacement Parts

LED	PRELED-5(□)	24~240V AC/DC
	PRELED-5(□)-12	12V AC/DC
Lens	PEL-5(□)	—

(□): indicates color of LED or Lens; R, Y, G, B or C

### Dimensions



### Specifications

Power Supply	12V AC/DC	24V AC/DC	120/240V AC
Current Draw	1 Stack	54 mA	28 mA
	2 Stack	109 mA	62 mA
	3 Stack	169 mA	102 mA
	4 Stack	223 mA	136 mA
	5 Stack	275 mA	169 mA
	Buzzer	—	30 mA
Sound Level	—	80 dB	
Flashing rate	80 times/minute		
Rating	IP 56		

See Page 13-14  
for Mounting Options and Accessories.

# PME Ø45mm LED Steady & Flashing

## TOWER LIGHTS

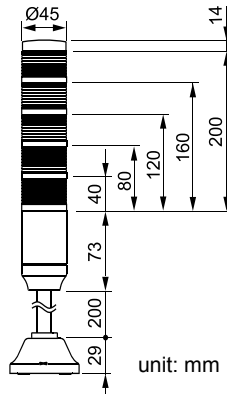


- Long life and reliability
- Prism-cut lenses for even light distribution
- Surface, Pole or Wall Mounted (Order poles & bases separately)
- Wire leads



### Specifications

Power Supply		12V AC/DC	24V AC/DC	100-220V AC
Current Draw	1 Stack	41 mA	27 mA	28 mA
	2 Stack	89 mA	57 mA	60 mA
	3 Stack	149 mA	95 mA	99 mA
	4 Stack	204 mA	125 mA	131 mA
	5 Stack	240 mA	155 mA	163 mA
Flashing rate		80 times/minute		
Rating		IP 56		



unit: mm

### Order Information

PME	F	5	01	RYGBC
①	②	③	④	
Light Style			Steady	
	F		Steady & Flashing	
Number of Stacks	1	1 Light		
	2	2 Lights		
	3	3 Lights		
	4	4 Lights		
	5	5 Lights		
Power Supply	01	DC/AC 12V		
	02	DC/AC 24V		
	FF	AC 90~240V		
Lens Colors (top to bottom)	R	Red		
	Y	Yellow		
	G	Green		
	B	Blue		
	C	Clear		

### Replacement Parts

LED	PMELED-4(□)	24~240V AC/DC
	PMELED-4(□)-12	12V AC/DC
Lens	PML-4(□)	—

(□): indicates color of LED or Lens; R, Y, G, B or C

See Page 13-14 for Mounting Options and Accessories.

# PAE Ø25mm LED Steady & Flashing

## TOWER LIGHTS

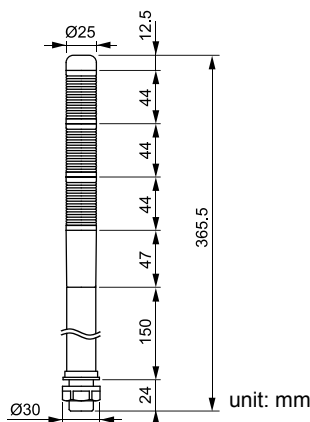


- Long life and reliability
- Prism-cut lenses for even light distribution
- Surface, Pole or Wall Mounted (Order poles & bases separately)
- Wire leads



### Specifications

Power Supply		12V AC/DC	24V AC/DC
Current Draw	1 Stack	30 mA	25 mA
	2 Stack	65 mA	60 mA
	3 Stack	100 mA	90 mA
	4 Stack	135 mA	120 mA
	5 Stack	170 mA	150 mA
Flashing rate		80 times/minute	
Rating		IP 56	



unit: mm

### Order Information

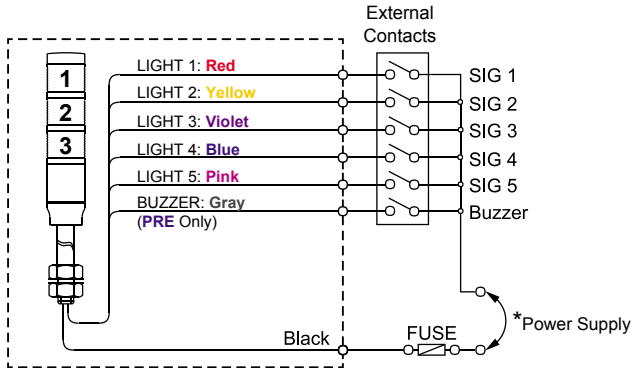
PAE	F	M	G	5	01	RYGBC
①	②	③	④	⑤	⑥	
Light Style					Steady	
	F				Steady & Flashing	
Mounting					Standard	
	M				Pole Mount	
	R				90° Bracket	
Pole Length					No Pole	
	G				51mm pole	
	P				150mm pole	
Number of Stacks	1	1 Light				
	2	2 Lights				
	3	3 Lights				
	4	4 Lights				
	5	5 Lights				
Power Supply	01	DC/AC 12V				
	02	DC/AC 24V				
Lens Colors (top to bottom)	R	Red				
	Y	Yellow				
	G	Green				
	B	Blue				
	C	Clear				

# PRE / PME / PAE Wiring Diagram

## Steady Lights

DC/AC 12V

PRE-01-00000  
PME-01-00000  
PAE-01-00000

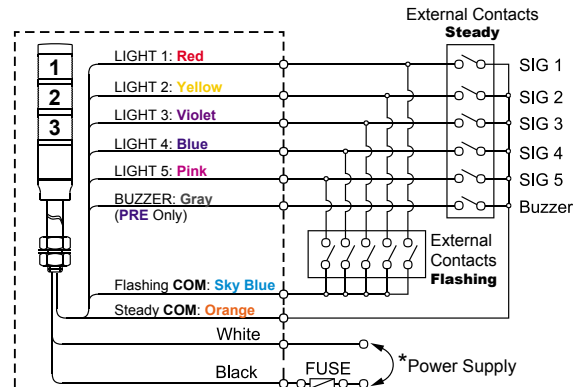


\* No polarity for DC applications.

## Steady & Flashing Lights

DC/AC 12V

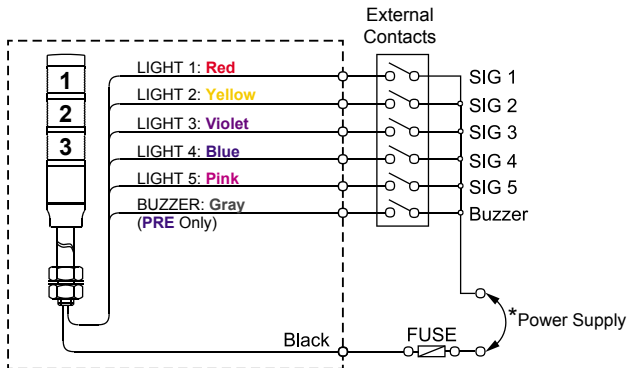
PREF-01-00000  
PMEF-01-00000  
PAEF-01-00000



\* No polarity for DC applications.

DC/AC 24V

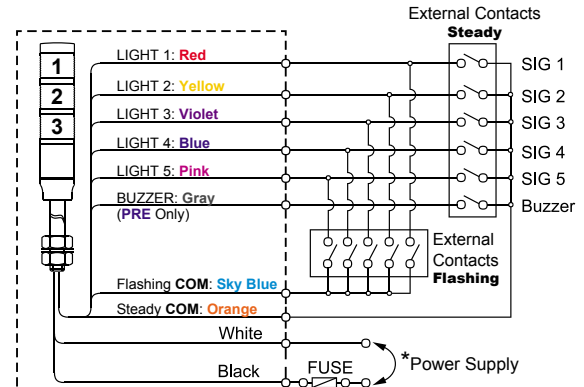
PRE-02-00000  
PME-02-00000  
PAE-02-00000



\* No polarity for DC applications.

DC/AC 24V

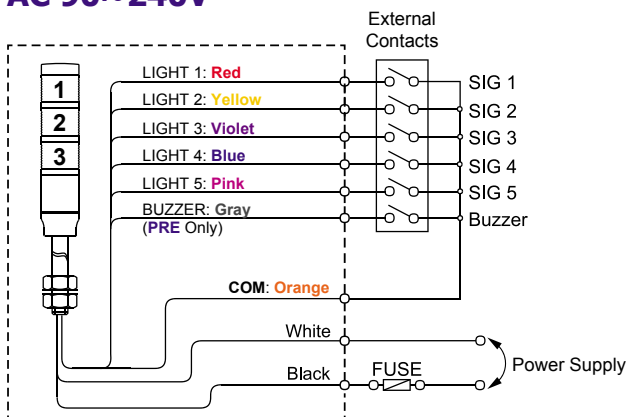
PREF-02-00000  
PMEF-02-00000  
PAEF-02-00000



\* No polarity for DC applications.

AC 110V  
AC 220V  
AC 90~240V

PRE-10-00000  
PRE-20-00000  
PME-FF-00000



AC 110V  
AC 220V  
AC 90~240V

PREF-10-00000  
PREF-20-00000  
PMEF-FF-00000

