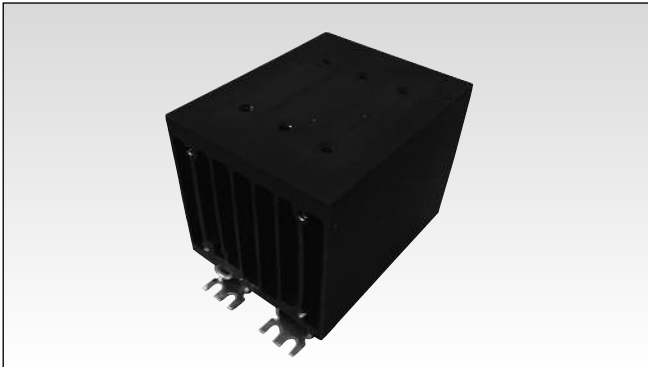


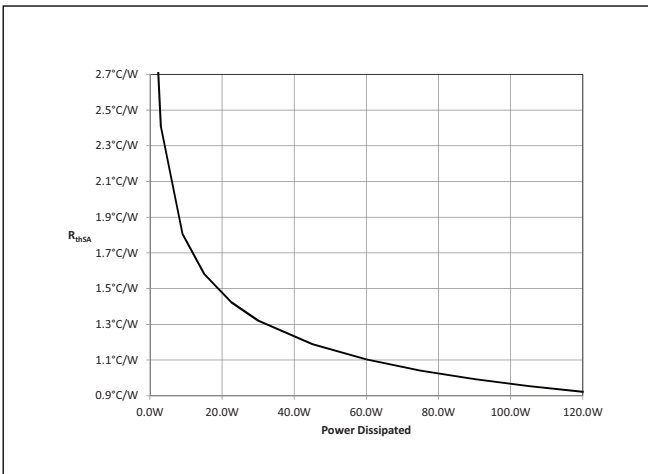
Solid State Relays Accessories, Heatsinks Types RHS703, RHS703D

CARLO GAVAZZI



- 1.1 °C/W thermal resistance
- Suitable for mounting of 3x 1-phase SSRs
- DIN rail mounting
- Suitable for panel mounting
- Dimensions W x H x D: 72 x 110 x 75 mm
- RoHS compliant

Thermal Resistance Curve



Ordering Key

RHS703

RHS703D

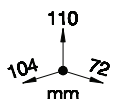
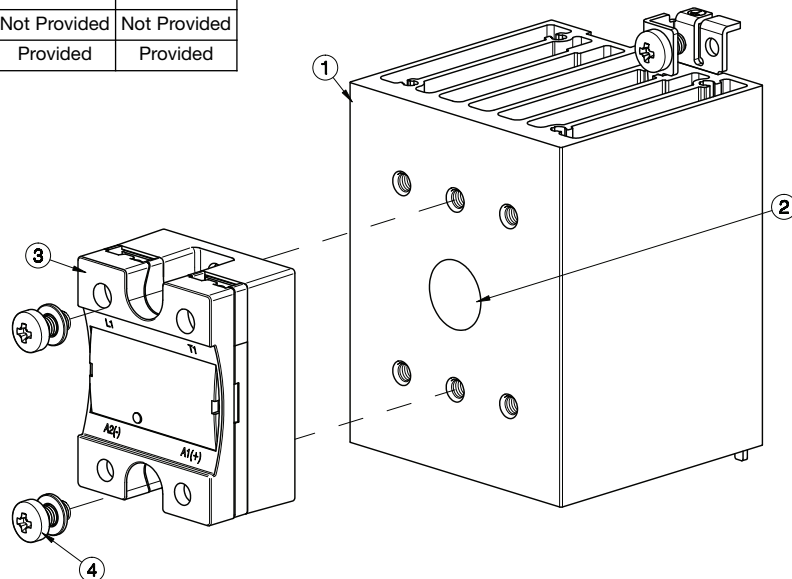
Product Description

Heatsink assembly suitable for mounting of maximum 3x 1-phase solid state relays (SSRs).

Suffix H75 added to SSR part no. refers to factory mounted heatsink. Conditions apply. Please ask your Sales representative for further details.

Heatsink Assembly

Components for assembly	Qty	RHS703	RHS703D
1 RHS703 Heatsink Assembly	1	Provided	Provided
2 Thermal Compound HTS02S	1	Provided	Not Provided
3 1-phase SSR 45x59mm	1	Not Provided	Not Provided
4 M5x10mm PZ2 + Washer	2	Provided	Provided

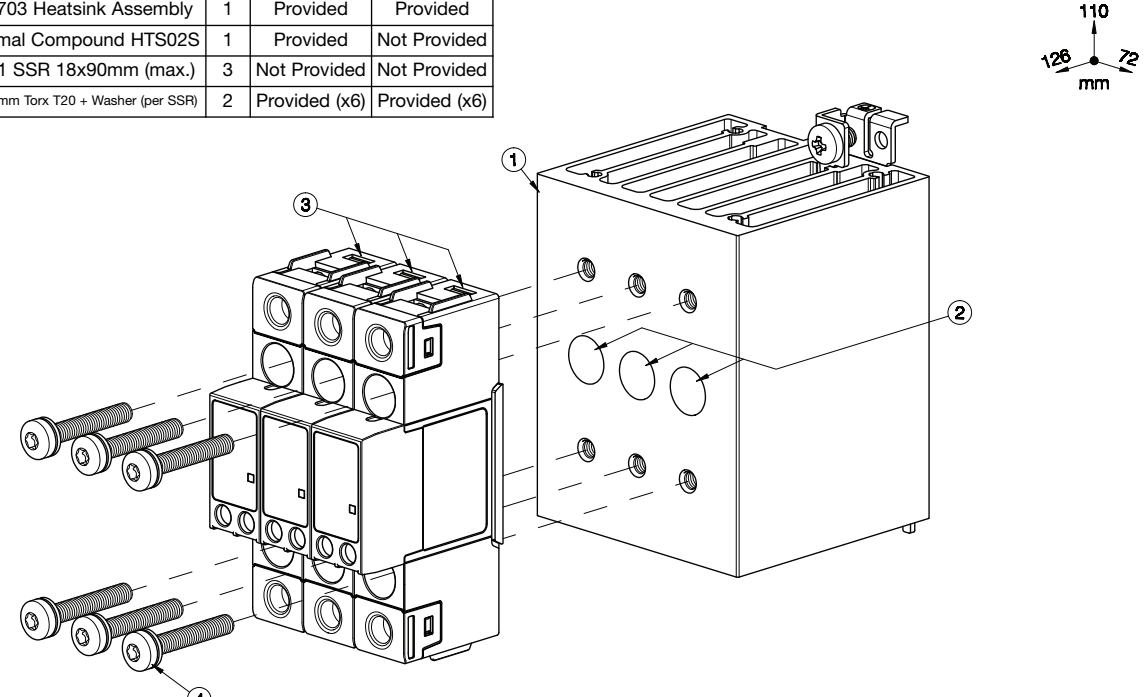


Dimensions including SSR

Heatsink Assembly

Components for assembly		Qty	RHS703	RHS703D
1	RHS703 Heatsink Assembly	1	Provided	Provided
2	Thermal Compound HTS02S	1	Provided	Not Provided
3	RGS1 SSR 18x90mm (max.)	3	Not Provided	Not Provided
4	M5x30mm Torx T20 + Washer (per SSR)	2	Provided (x6)	Provided (x6)

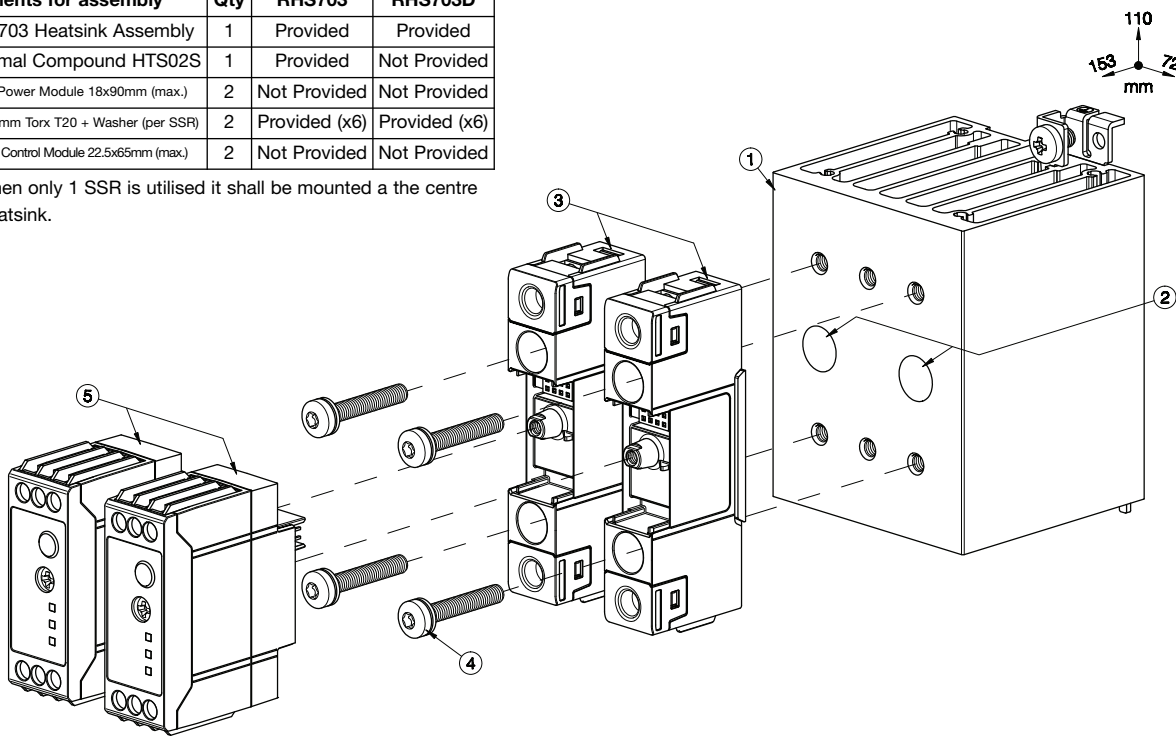
Dimensions including SSR



Components for assembly		Qty	RHS703	RHS703D
1	RHS703 Heatsink Assembly	1	Provided	Provided
2	Thermal Compound HTS02S	1	Provided	Not Provided
3	RGS1 Power Module 18x90mm (max.)	2	Not Provided	Not Provided
4	M5x30mm Torx T20 + Washer (per SSR)	2	Provided (x6)	Provided (x6)
4	RGS1S Control Module 22.5x65mm (max.)	2	Not Provided	Not Provided

Note: When only 1 SSR is utilised it shall be mounted at the centre of the heatsink.

Dimensions including SSR

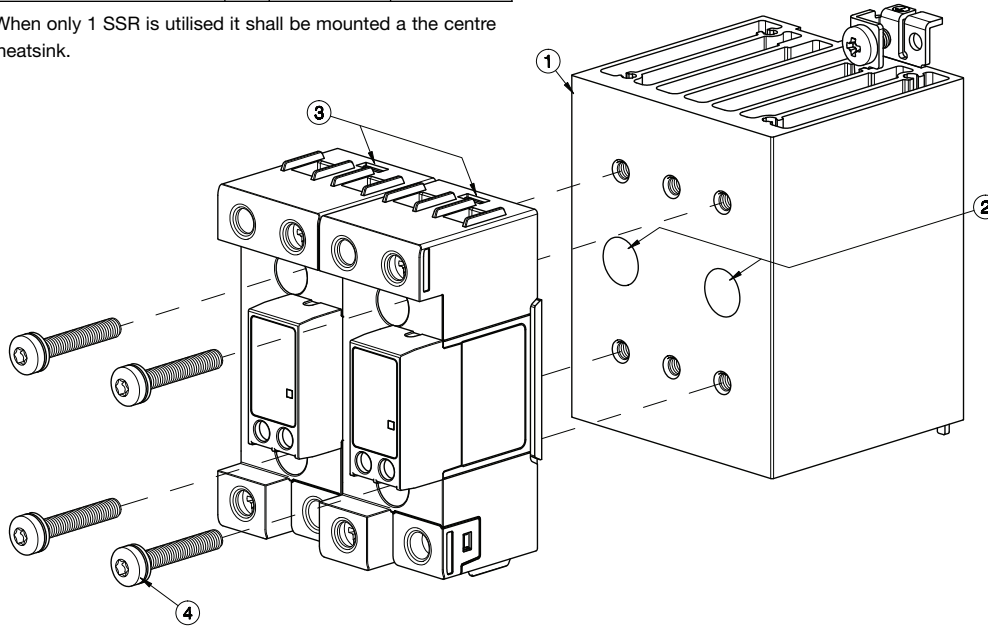
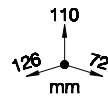


Heatsink Assembly

Components for assembly		Qty	RHS703	RHS703D
1	RHS703 Heatsink Assembly	1	Provided	Provided
2	Thermal Compound HTS02S	1	Provided	Not Provided
3	RGS1 or RGS1S SSR 36x90mm (max.)	2	Not Provided	Not Provided
4	M5x30mm Torx T20 + Washer (per SSR)	2	Provided (x6)	Provided (x6)

Note: When only 1 SSR is utilised it shall be mounted at the centre of the heatsink.

Dimensions including SSR

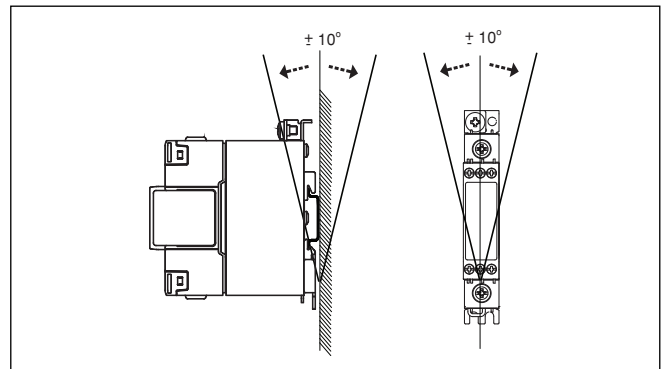


General Specifications

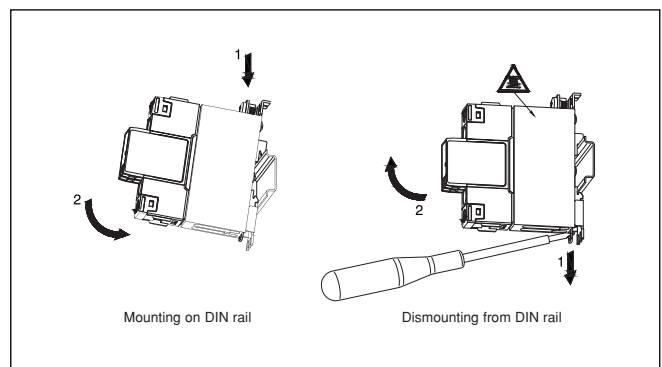
SSR max. mounting torque	1.5Nm (13.3 lb-in)
PE screw*	M5, max. 1.5Nm (13.3 lb-in)
Weight (excl. SSR)	approx. 560g
Material	Aluminium
Finish	Black anodization
Fan mounting	refer to models: RHS703F60-24 or RHSF703F60-230

* Not provided with assembly

Mounting Position



Installation



Illustrations are for example only



Recommended Maximum Current Rating (per SSR)

Notes:

- The below recommendations are only valid when the assembly (SSR + heatsink) is mounted as shown in the mounting instructions unless otherwise indicated.
- The indicated ratings are applicable to one SSR, one pole. Please refer to the online selector tool at www.productselection.net for different load currents, surrounding temperatures or multiple units on one heatsink.
- These recommendations are applicable only with the indicated Carlo Gavazzi thermal interface material between SSR and heatsink. In case a different thermal interface is utilised these recommendation may no longer be valid.

Thermal interface = Thermal compound, **HTS02S**

Thermal interface = Thermal pad **KK071CUT** for 1-phase SSRs,
RGHT for RG SSRs

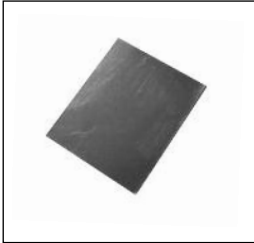
1x 1-phase SSR	Surrounding temperature							
	°C	20	30	40	50	60	70	80
	°F	68	86	104	122	140	158	176
RD..	1	1	1	1	1	1	1	n/a
	5	5	5	5	5	5	5	n/a
RA..L	10	10	10	10	10	10	10	n/a
RA..T	25	25	24.5	22	19	16	13	n/a
RA..	25	25	25	25	21.5	17.5	13.5	n/a
	50	42.5	40	34.5	28.5	23	17.5	n/a
	90	56	52.5	45	37.5	30	22	n/a
	110	63	59	50	41.5	33	24.5	n/a
RA60..	50	42	39.5	34	29	23.5	18	n/a
RA2A..*	25	25	25	24.5	21	15.5	10.5	n/a
	40	32.5	30.5	27	23	17	11.5	n/a
	25M	25	25	24.5	21	15.5	10.5	n/a
	40M	33	31.5	28	23	17	11.5	n/a
RS1A..	10	10	10	10	9.5	7.5	5.5	n/a
	25	25	25	25	25	24	16.5	n/a
	40	40	40	35	28.5	21.5	15	n/a
RS1A..E	25	22	20.5	18	15.5	13	10.5	n/a
	40	26	24.5	21.5	18.5	15.5	12.5	n/a
RM1A.. RM1B.. RM1C..	25	25	25	25	25	24	16.5	n/a
	50	45	41.5	35	28.5	21.5	15	n/a
	75	66.5	61.5	51.5	41	31	21	n/a
	100	73.5	68	56	44.5	33.5	22.5	n/a
RM1A60.. RM1B60.. RM1C60.. RM1E60..	50	47	44.5	40	34.5	26.5	18.5	n/a
RAM1A.. RAM1B.. RM1E..	25	25	25	25	25	24	16.5	9.5
	50	45	41.5	35	28.5	21.5	15	9.5
	75	66.5	61.5	51.5	41	31	21	11.5
	100	66.5	61.5	51.5	41	31	21	11.5
	125	73.5	68	56	44.5	33.5	22.5	12
RGS1..E	25	25	25	25	25	25	25	20.5
	50	50	50	48.5	42.5	36.5	30	24
	51	50	50	47	41.5	36	30	24
	75	64	60.5	54	47	40	33	26
	90 91 92	68	64.5	57.5	50	43	35.5	28
RGS1..U	20	20	20	20	20	20	20	20
	30	30	30	30	30	30	30	24
RGS1S..E	20	23	23	23	23	23	16.5	n/a
	30	30	30	30	30	30	30	n/a
	31	30	30	30	30	30	30	n/a
	92	68	64.5	57.5	50	43	35.5	n/a
RGS1S..U	61	65	64.5	57.5	50	43	35.5	n/a
RGS1D..	15	15	15	15	15	15	15	14
	25	25	25	25	23.5	20.5	17	14

* per pole

1x 1-phase SSR	Surrounding temperature							
	°C	20	30	40	50	60	70	80
	°F	68	86	104	122	140	158	176
RD..	1	1	1	1	1	1	1	n/a
	5	5	5	5	5	5	5	n/a
RA..L	10	10	10	10	10	10	10	n/a
RA..T	25	23	22	19.5	17	14	11.5	n/a
RA..	25	25	25	23.5	20	16	12.5	n/a
	50	38	35.5	30.5	25.5	20.5	15.5	n/a
	90	47.5	44	38.0	31.5	25.5	19	n/a
	110	52.5	49	42	35	28	20.5	n/a
RA60..	50	37.5	35.5	31	26	21	16	n/a
RA2A..*	25	25	25	22	19.5	16	10.5	n/a
	40	29.5	28	24.5	21.5	17.5	11.5	n/a
	25M	25	25	22	19.5	16	10.5	n/a
	40M	30	28.5	25	22	17.5	11.5	n/a
RS1A..	10	10	10	10	8.5	7	5	n/a
	25	25	25	25	25	20	14	n/a
	40	40	40	35	28.5	21.5	15	n/a
RS1A..E	25	19.5	18.5	16	14	11.5	9.5	n/a
	40	23	21.5	18.5	16	13.5	11	n/a
RM1A.. RM1B.. RM1C..	25	25	25	25	25	20	14	n/a
	50	45	41.5	35	28.5	21.5	15	n/a
	75	52	48	40.5	32.5	25	17	n/a
	100	57	52.5	44	35	26.5	18	n/a
RM1A60.. RM1B60.. RM1C60.. RM1E60..	50	42	40	35.5	29	22.5	15.5	n/a
RAM1A.. RAM1B.. RM1E..	25	25	25	25	25	20	14	8
	50	45	41.5	35	28.5	21.5	15	8.5
	75	52	48	40.5	32.5	25	17	9.5
	100	52	48	40.5	32.5	25	17	9.5
	125	57	52.5	44	35	26.5	18	10
RGS1..E	25	25	25	25	25	24	20	16.5
	50	44.5	42	37.5	33	28.5	23.5	19
	51	43.5	41.5	37	33	28.5	24	19
	75	50	47.5	42.5	37	32	26.5	21
	90 91 92	53	50.5	45	39.5	34	28	22
RGS1..U	20	20	20	20	20	20	20	16.5
	30	30	30	30	30	28.5	23.5	19
RGS1S..E	20	23	23	23	23	23	20	n/a
	30	30	30	30	30	28.5	23.5	n/a
	31	30	30	30	30	30	28	n/a
	92	53	50.5	45	39.5	34	28	n/a
RGS1S..U	61	53	50.5	45	39.5	34	28	n/a
RGS1D..	15	15	15	15	15	15	13	10.5
	25	22.5	21.5	19.5	17.5	15	13	10.5

Accessories

Thermal Pads



- Ordering key: **KK071CUT**
- Packing qty. 50 pcs.
- Suitable for 1-phase SSRs
- Dimensions: 35 x 43mm



- Ordering key: **RGHT**
- Packing qty. 10 pcs.
- Suitable for RG SSRs
- Dimensions: 14 x 35mm

Thermal Compound



- Ordering key: **HTS02S**
- 2ml syringe of silicone based thermal compound

Fans



- Ordering key: **RHSF60-24**
- Fan 60x60mm, 24VDC
- Ordering key: **RHSF60-230**
- Fan 60x60mm, 240VAC

Screw Kits



- Ordering key: **SRWKITM5X10MM**
- M5x10mm PZ2 screws + washers
- Packing qty. 20pcs.
- Suitable for 1-phase SSRs



- Ordering key: **SRWKITM5X30MM**
- M5x30mm Torx T20 screws + washers
- Packing qty. 20pcs.
- Suitable for RG SSRs