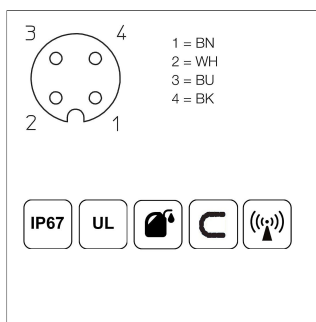
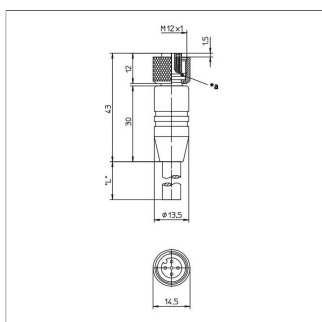
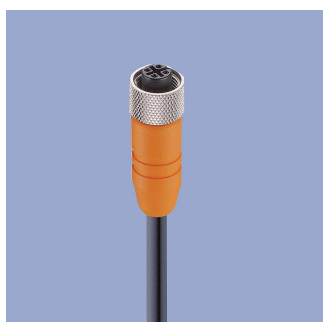


## Connector System M12

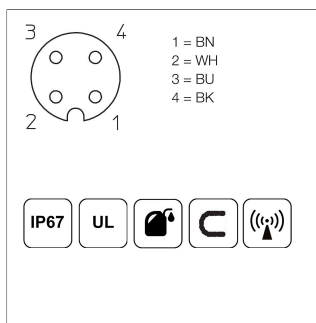
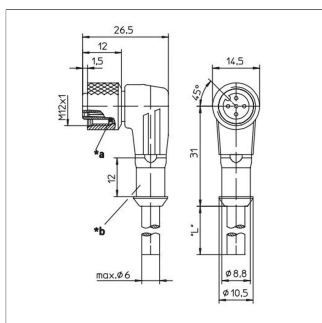
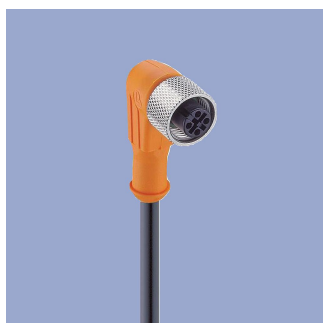


**EEM-33-32/62/97**  
M12x1 Mating female connector, 4-pin, straight, A-coded, with molded cable, shielded, IP67, open ended

Plug housing PA  
Cable sheath PUR,  $\varnothing = \text{max. } 6 \text{ mm}$ ,  
-25 ... +80°C (moved)  
-50 ... +80°C (fixed)

Lead wires PP, 0.34 mm<sup>2</sup>

P/N	Type	Length
400005600	EEM-33-32	2 m
400005609	EEM-33-62	5 m
400005650	EEM-33-97	10 m

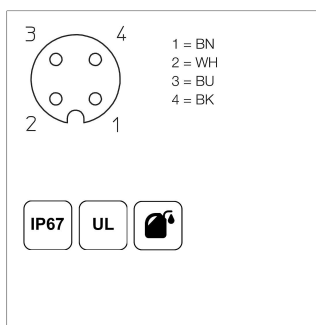
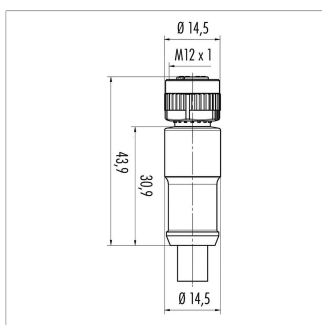


**EEM-33-33/63/99**  
M12x1 Mating female connector, 4-pin, angled, A-coded, with molded cable, shielded, IP67, open ended

Plug housing PA  
Cable sheath PUR,  $\varnothing = \text{max. } 6 \text{ mm}$ ,  
-25 ... +80°C (moved)  
-50 ... +80°C (fixed)

Lead wires PP, 0.34 mm<sup>2</sup>

P/N	Type	Length
400005601	EEM-33-33	2 m
400005610	EEM-33-63	5 m
400005696	EEM-33-99	10 m

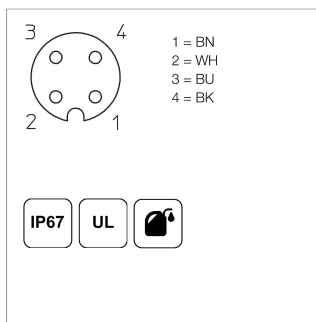
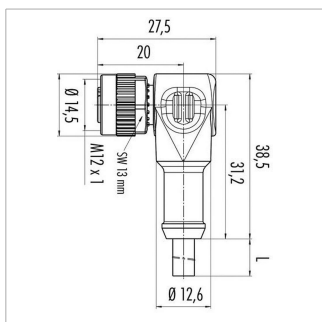


**EEM-33-35/36/37**  
M12x1 Mating female connector, 4-pin, straight, A-coded, with molded cable, not shielded, IP67, open ended

Plug housing PA  
Cable sheath PUR,  $\varnothing = \text{max. } 6 \text{ mm}$ ,  
-40 ... +85°C (fixed)

Lead wires PP, 0.34 mm<sup>2</sup>

P/N	Type	Length
400056135	EEM-33-35	2 m
400056136	EEM-33-36	5 m
400056137	EEM-33-37	10 m



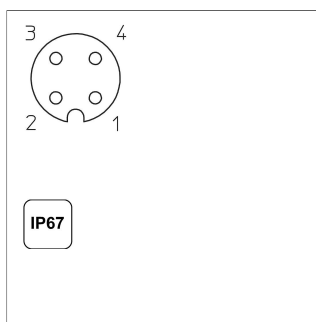
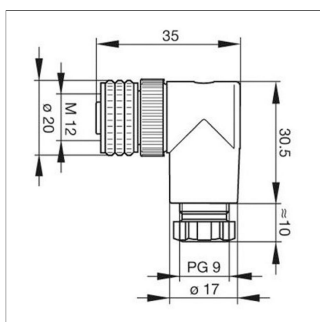
**EEM-33-38/39/40**  
M12x1 Mating female connector, 4-pin, angled, A-coded, with molded cable, not shielded, IP67, open ended

Plug housing PA  
Cable sheath PUR,  $\varnothing = \text{max. } 6 \text{ mm}$ ,  
-40 ... +85°C (fixed)

Lead wires PP, 0.34 mm<sup>2</sup>

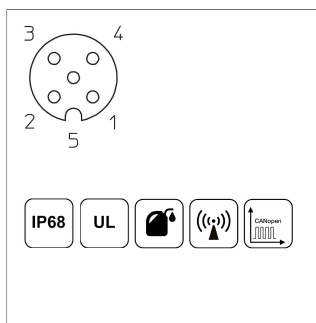
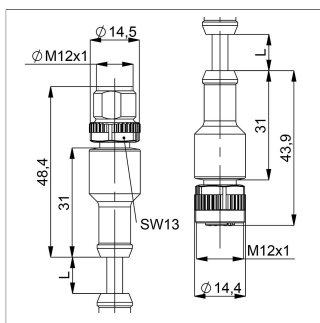
P/N	Type	Length
400056138	EEM-33-38	2 m
400056139	EEM-33-39	5 m
400056140	EEM-33-40	10 m

## Connector System M12



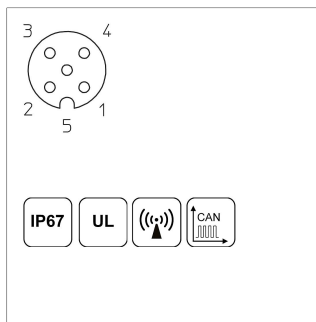
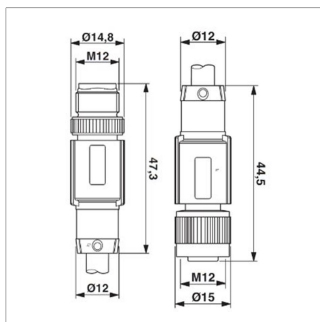
**EEM-33-89**  
M12x1 Mating female connector, 4-pin, angled, A-coded, with coupling nut, screw termination, IP67, not shieldable  
Operating temp. -25 ... +90°C  
Plug housing PBT  
For wire gauge 6 ... 8 mm, max. 0.75 mm<sup>2</sup>

P/N	Type
40005634	EEM-33-89



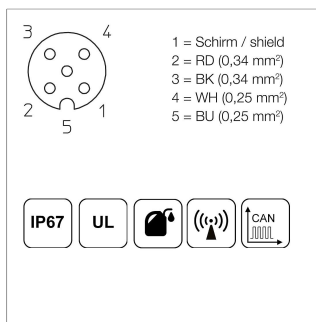
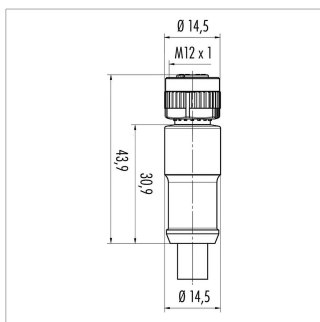
**EEM-33-44**  
M12x1 Mating female/male connector, 5-pin, straight, A-coded, with molded cable, IP68, CAN-Bus  
Plug housing PUR  
Cable sheath PUR, Ø = 7.2 mm, -25 ... +85°C (fixed)

P/N	Type	Length
400056144	EEM-33-44	5 m



**EEM-33-52**  
M12x1 Mating female/male connector, 5-pin, straight, A-coded, with molded cable, IP67, shielded (shield on knurl), CAN-Bus  
Plug housing PUR  
Cable sheath PUR, Ø = 6.7 mm, -25 ... +90°C (plug/socket), -20 ... +80°C (cable)  
Lead wires PE, 2x0.25 mm<sup>2</sup>+2x0.34 mm<sup>2</sup>

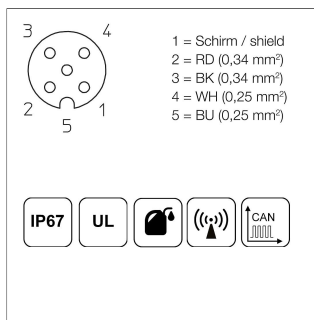
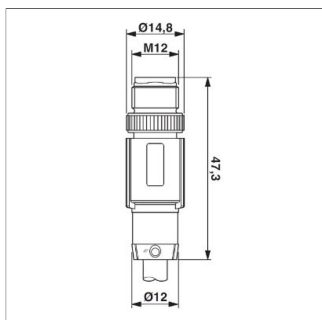
P/N	Type	Length
400106373	EEM-33-52	5 m



**EEM-33-41/42/43**  
M12x1 Mating female connector, 5-pin, straight, A-coded, with molded cable, IP67, shielded, open ended, CAN-Bus  
Plug housing PUR  
Cable sheath PUR, Ø = 7.2 mm, -25 ... +85°C (fixed)  
Lead wires PP, 2x0.25 mm<sup>2</sup>+2x0.34 mm<sup>2</sup>

P/N	Type	Length
400056141	EEM-33-41	2 m
400056142	EEM-33-42	5 m
400056143	EEM-33-43	10 m

## Connector System M12



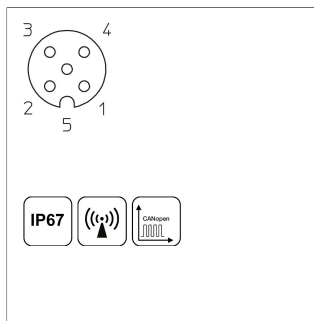
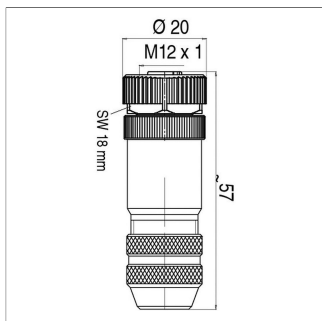
### EEM-33-49/50/51

M12x1 Mating female connector, 5-pin, straight, A-coded, with molded cable, IP67, shielded (shield on knurl), open ended

Plug housing TPU  
Cable sheath PUR, Ø = 6.7 mm, -25 ... +90°C (socket), -20 ... +80°C (cable)

Lead wires PE, 2x0,25 mm<sup>2</sup>+2x0,34 mm<sup>2</sup>

P/N	Type	Length
400106368	EEM-33-49	2 m
400106371	EEM-33-50	5 m
400106372	EEM-33-51	10 m

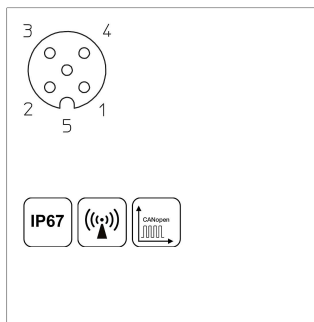
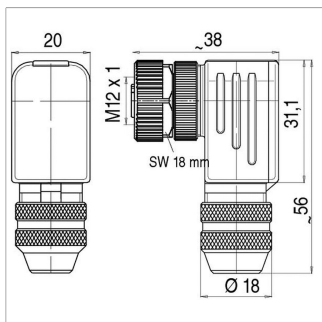


### EEM-33-73

M12x1 Mating female connector, 5-pin, straight, A-coded, with coupling nut, screw termination, IP67, shieldable, CAN bus

Plug housing Metal, -40 ... +85°C  
For wire gauge 6 ... 8 mm, max. 0.75 mm<sup>2</sup>

P/N	Type
400005645	EEM-33-73

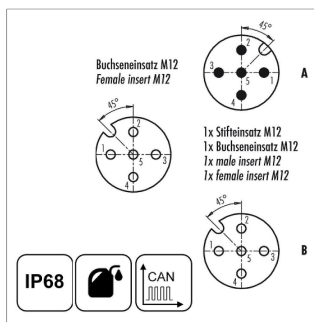
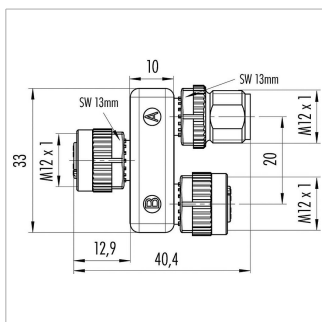


### EEM-33-75

M12x1 mating female connector, 5-pin, angled, A-coded, with coupling nut, screw termination, IP67, shieldable, CAN bus, turning and fixing of contact carrier in 90° positions possible.

Plug housing Metal, -40 ... +85°C  
For wire gauge 6 ... 8 mm, max. 0.75 mm<sup>2</sup>

P/N	Type
400005646	EEM-33-75



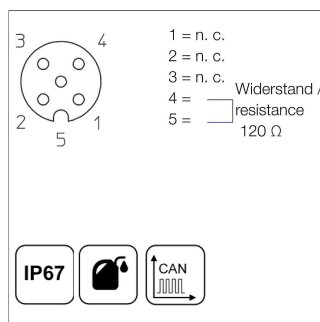
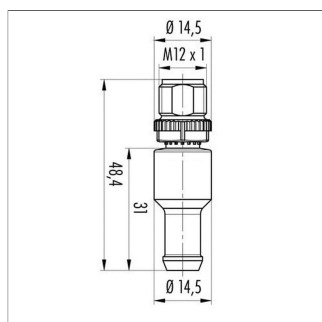
### EEM-33-45

M12x1 splitter / T-connector, 5-pin, A-coded, IP68, 1:1:1 connection, female - male - female, CAN-Bus

Plug housing PUR, -25 ... +85°C

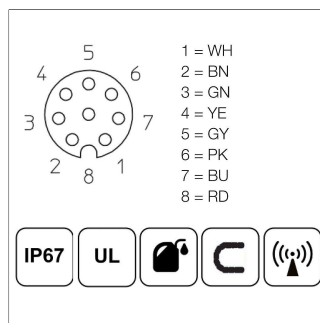
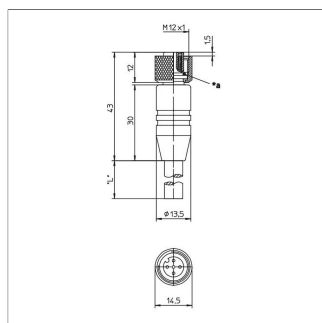
P/N	Type
400056145	EEM-33-45

## Connector System M12



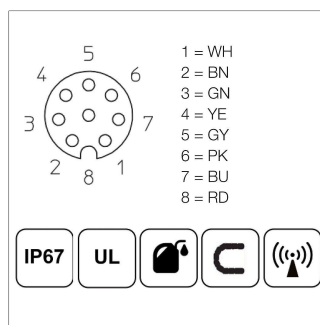
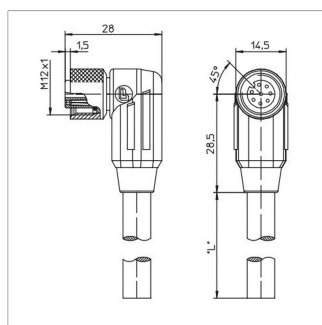
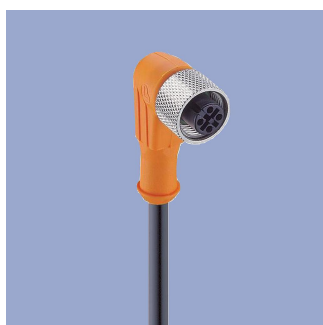
**EEM-33-47**  
M12x1 terminating resistor, 5-pin, A-coded, IP67, 120 Ω resistance, CAN-Bus  
Plug housing PUR, -25 ... +85°C

P/N	Type
400056147	EEM-33-47



**EEM-33-86/90/92**  
M12x1 Mating female connector, 8-pin, straight, A-coded, with molded cable, shielded, IP67, open ended  
Plug housing PA  
Cable sheath PUR, Ø = max. 8 mm, -25 ... +80°C (moved), -50 ... +80°C (fixed)  
Lead wires PP, 0,25 mm<sup>2</sup>

P/N	Type	Length
400005629	EEM-33-86	2 m
400005635	EEM-33-90	5 m
400005637	EEM-33-92	10 m



**EEM-33-87/91/93**  
M12x1 Mating female connector, 8-pin, angled, A-coded, with molded cable, shielded, IP67, open ended  
Plug housing PA  
Cable sheath PUR, Ø = max. 8 mm, -25 ... +80°C (moved), -50 ... +80°C (fixed)  
Lead wires PP, 0,25 mm<sup>2</sup>

P/N	Type	Length
400005630	EEM-33-87	2 m
400005636	EEM-33-91	5 m
400005638	EEM-33-93	10 m

**IP67** Protection class IP67 DIN EN 60529

**IP68** Protection class IP68 DIN EN 60529

Very good Electromagnetic Compatibility (EMC) and shield systems

Very good resistance to oils, coolants and lubricants

**C** Suited for applications in dragchains

**UL** UL - approved

CAN-Bus

Novotechnik  
Messwertaufnehmer OHG  
P.O.Box 4220  
73745 Ostfildern (Ruit)  
Horbstrasse 12  
73760 Ostfildern (Ruit)  
Phone +49 711 4489-0  
Fax +49 711 4489-118  
info@novotechnik.de  
www.novotechnik.de



© Jun 13, 2019

The specifications contained in our datasheets are intended solely for informational purposes. The documented specification values are based on ideal operational and environmental conditions and can vary significantly depending on the actual customer application. Using our products at or close to one or more of the specified performance ranges can lead to limitations regarding other performance parameters. It is therefore necessary that the end user verifies relevant performance parameters in the intended application. We reserve the right to change product specifications without notice.