

# Light-Emitting Diodes

**W1322** = Product group; Product group discount W 13 2\_

## EVERLIGHT Light-Emitting Diodes

Diffuse  
Low-Cost  
Series: EL333-2\_  
Case: 5mm

### Technical Specifications

Part Nr.	Colour	WL [nm]	VA [°]	LI [mcd]	@I <sub>F</sub> [mA]	U <sub>F</sub> [V]
EL333-2SDRD/S53	Red	650	30	160	20	2,0
EL333-2SURD/S53	Red	632	30	200	20	2,0
EL333-2UYD/S53	Yellow	591	35	320	20	2,0
EL333-2SYGD/S53	Green	575	45	63	20	2,0

WL = Peak Emission Wavelength, VA = Viewing Angle, LI = Typ. Luminous Intensity, I<sub>F</sub> = Forward Current, U<sub>F</sub> = Forward Voltage

### Note

You will find suitable LED holders and spacing pieces in the blue "Passive and Electromechanical Components" catalogue starting at product group H3731 resp. G8293.

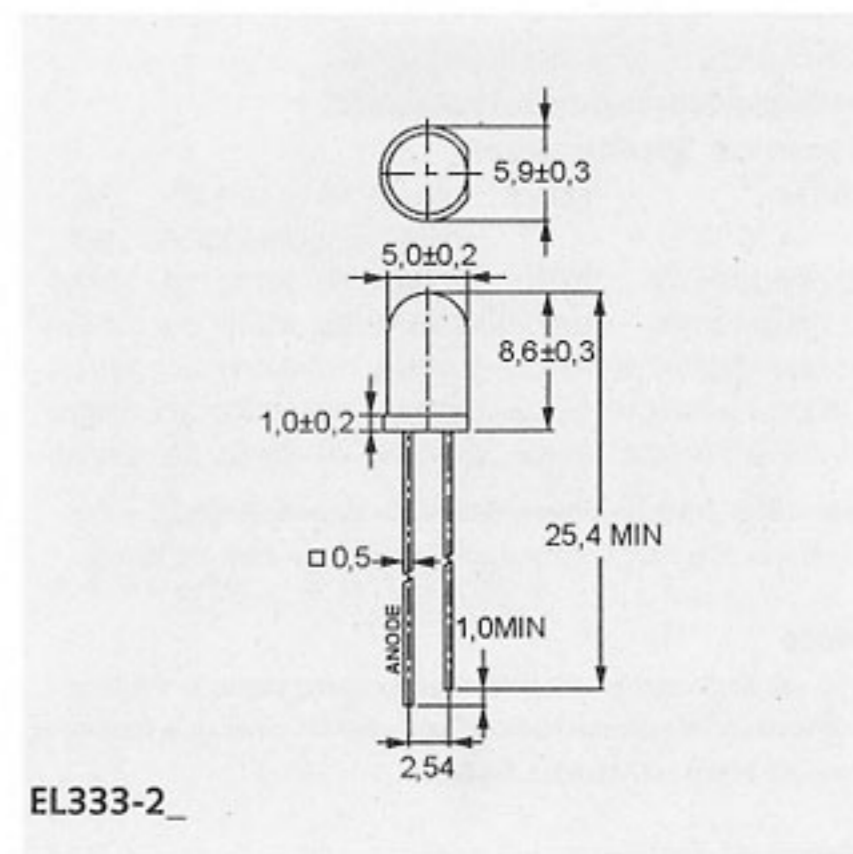
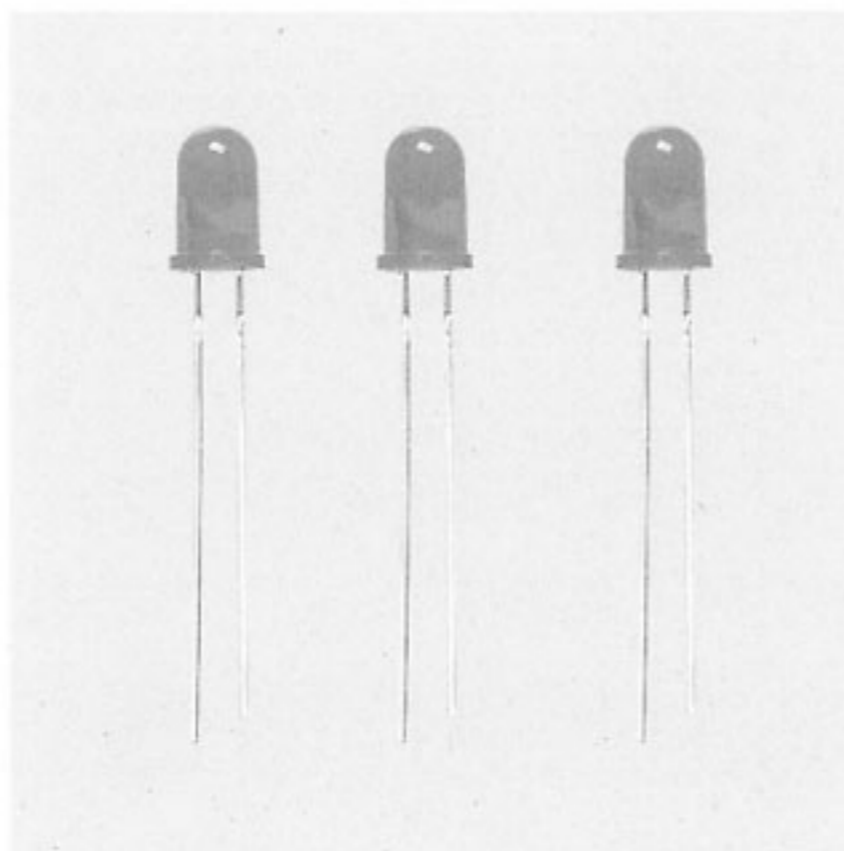
### Terms of Delivery

Minimum order quantity: please see price list column "MOQ".

Manufacturer: **EVERLIGHT**

<http://www.everlight.com>

Part Nr.	Part description
EL333-2SDRD/S53	LED Diffuse Red 160mcd 30° 5mm
EL333-2SURD/S53	LED Diffuse Red 200mcd 30° 5mm
EL333-2UYD/S53	LED Diffuse Yellow 320mcd 35° 5mm
EL333-2SYGD/S53	LED Diffuse Green 63mcd 45° 5mm



**W1324** = Product group; Product group discount W 13 2\_

## EVERLIGHT Light-Emitting Diodes

Diffuse  
High Efficiency  
Series: EL1383\_  
Case: 5mm

### Technical Specifications

Part Nr.	Colour	WL [nm]	VA [°]	LI [mcd]	@I <sub>F</sub> [mA]	U <sub>F</sub> [V]
EL1383SURD/S53	Red	632	35	500	20	2,0
EL1383UYD/S53	Yellow	591	25	800	20	2,0
EL1383SYGD/S53	Green	575	25	200	20	2,0

WL = Peak Emission Wavelength, VA = Viewing Angle, LI = Typ. Luminous Intensity, I<sub>F</sub> = Forward Current, U<sub>F</sub> = Forward Voltage

### Note

You will find suitable LED holders and spacing pieces in the blue "Passive and Electromechanical Components" catalogue starting at product group H3731 resp. G8293.

### Terms of Delivery

Minimum order quantity: please see price list column "MOQ".

Manufacturer: **EVERLIGHT**

<http://www.everlight.com>

Part Nr.	Part description
EL1383SURD/S53	LED Diffuse Red 500mcd 35° 5mm
EL1383UYD/S53	LED Diffuse Yellow 800mcd 25° 5mm
EL1383SYGD/S53	LED Diffuse Green 200mcd 25° 5mm

