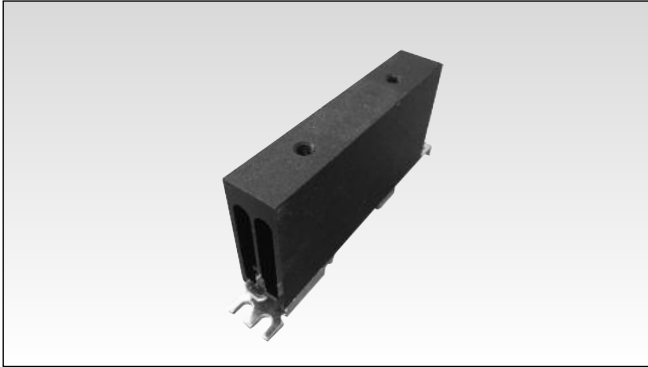


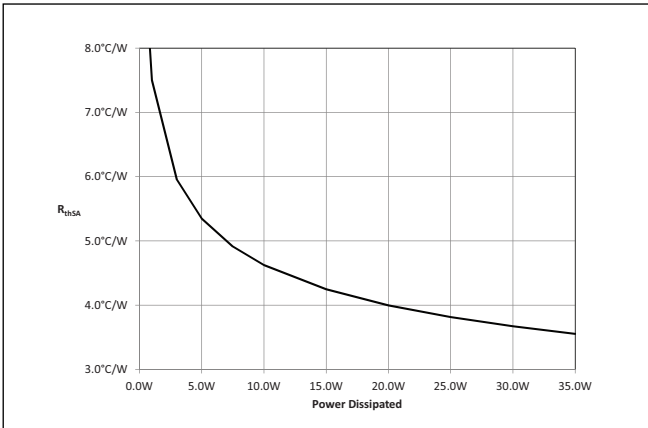
# Solid State Relays Accessories, Heatsinks Type RHS37A

CARLO GAVAZZI



- 4.0 °C/W thermal resistance
- Suitable for mounting of 1-phase RG SSRs
- DIN rail mounting
- Suitable for panel mounting
- Dimensions W x H x D: 18 x 110 x 52 mm
- RoHS compliant

## Thermal Resistance Curve



## Ordering Key

**RHS37A**

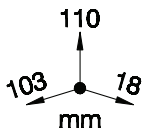
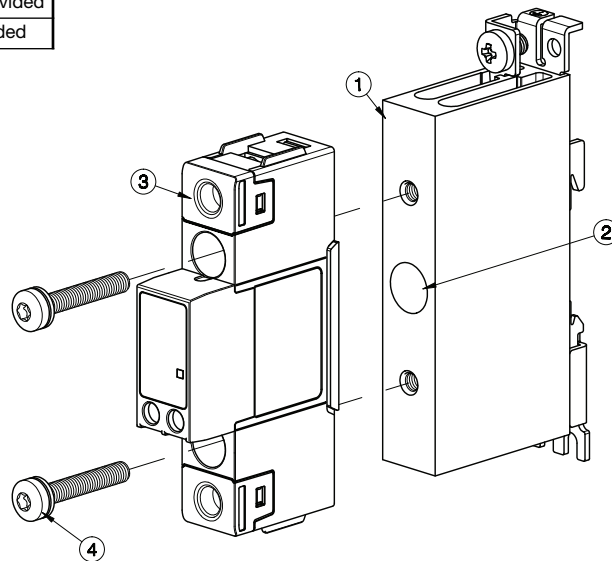
## Product Description

Heatsink assembly suitable for mounting of 1x 1-phase RG solid state relay (SSR).

Suffix H51 added to SSR part no. refers to factory mounted heatsink. Conditions apply. Please ask your Sales representative for further details.

## Heatsink Assembly

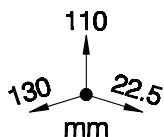
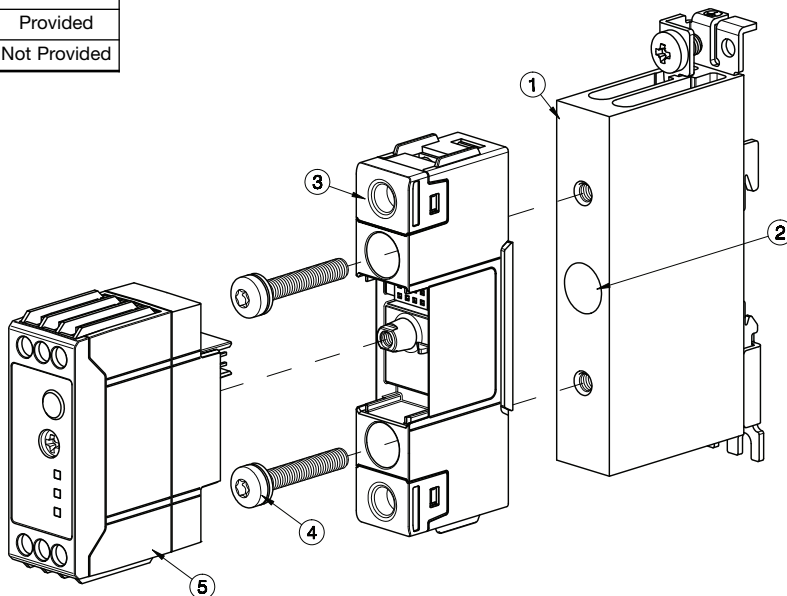
Components for assembly	Qty	RHS37A
1 RHS37A Heatsink Assembly	1	Provided
2 Thermal Compound HTS02S	1	Provided
3 RGS1 SSR 18x90mm	1	Not Provided
4 M5x30mm Torx T20 + Washer	2	Provided



Dimensions including the SSR

# Heatsink Assembly

Components for assembly	Qty	RHS37A
1 RHS37A Heatsink Assembly	1	Provided
2 Thermal Compound HTS02S	1	Provided
3 RGS1 Power Module 18x90mm	1	Not Provided
4 M5x30mm Torx T20 + Washer	2	Provided
5 RGS1S Control Module 22.5x65mm	1	Not Provided



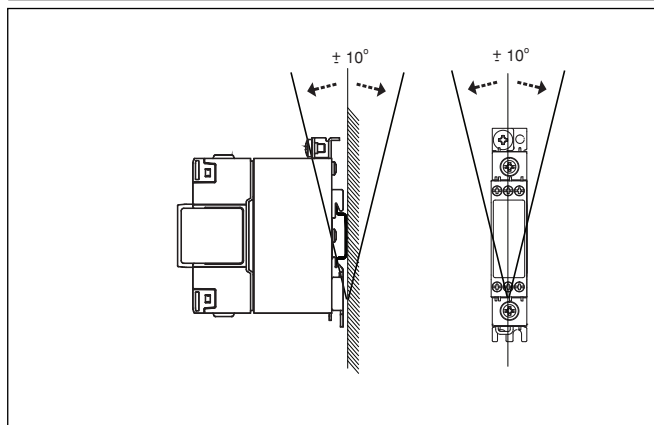
Dimensions including the SSR

## General Specifications

SSR max. mounting torque	1.5Nm (13.3 lb-in)
PE screw*	M5, max. 1.5Nm (13.3 lb-in)
Weight (excl. SSR)	approx. 135g
Material	Aluminium
Finish	Black anodization
Fan mounting	Not possible

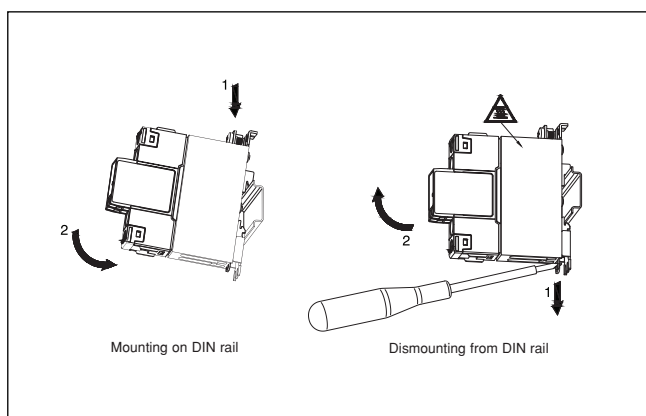
\* Not provided with assembly

## Mounting Position



Illustrations are for example only

## Installation



## Recommended Maximum Current Rating (per SSR)

Notes:

- The below recommendations are only valid when the assembly (SSR + heatsink) is mounted as shown in the mounting instructions unless otherwise indicated.
- The indicated ratings are applicable to one SSR, one pole. Please refer to the online selector tool at [www.productselection.net](http://www.productselection.net) for different load currents, surrounding temperatures or multiple units on one heatsink.
- These recommendations are applicable only with the indicated Carlo Gavazzi thermal interface material between SSR and heatsink. In case a different thermal interface is utilised these recommendation may no longer be valid.

Thermal interface = Thermal compound, **HTS02S**

Thermal interface = Thermal pad, **RGHT**

1x 1-phase SSR	Surrounding temperature							
	°C	20	30	40	50	60	70	80
	°F	68	86	104	122	140	158	176
RGS1..E	25	25	24	21	18.5	16	13	10.5
	50	28.5	27	24	21	17.5	14.5	11.5
	51	28.5	27	24	21	18	15	11.5
	75	32	30	26.5	23	19.5	16	12.5
	90							
	91	34	32	28	24.5	20.5	17	13
	92							
RGS1..U	20	20	20	20	18.5	16	13	10.5
	30	28.5	27	24	21	17.5	14.5	11.5
RGS1S..E	20	23	23	21	18.5	16	13	n/a
	30	28.5	27	24	21	17.5	14.5	n/a
	31	30	30	28	24.5	20.5	17	n/a
	92	34	32	28	24.5	20.5	17	n/a
RGS1D..	15	15	15	14	12	10.5	9	7
	25	16.5	15.5	14	12	10.5	9	7

1x 1-phase SSR	Surrounding temperature							
	°C	20	30	40	50	60	70	80
	°F	68	86	104	122	140	158	176
RGS1..E	25	23	21.5	19.5	17	14.5	12	9.5
	50	26	24.5	22	19	16	13	10.5
	51	26	25	22	19.5	16.5	13.5	11
	75	29	27.5	24.5	21	18	14.5	11.5
	90							
	91	31	29	26	22.5	19	15.5	12
	92							
RGS1..U	20	20	20	19.5	17	14.5	12	9.5
	30	26	24.5	22	19	16	13	10.5
RGS1S..E	20	23	21.5	19.5	17	14.5	12	n/a
	30	26	24.5	22	19	16	13	n/a
	31	30	29	26	22.5	19	15.5	n/a
	92	31	29	26	22.5	19	15.5	n/a
RGS1D..	15	14.5	13.5	12	10.5	9.5	7.5	6
	25	14.5	13.5	12	10.5	9.5	7.5	6

## Accessories

### Thermal Pads



- Ordering key: **RGHT**
- Packing qty. 10 pcs.
- Suitable for RG SSRs
- Dimensions: 14 x 35mm

### Thermal Compound



- Ordering key: **HTS02S**
- 2ml syringe of silicone based thermal compound

### Screw Kits



- Ordering key: **SRWKITM5X30MM**
- M5x30mm Torx T20 screws + washers
- Packing qty. 20pcs.
- Suitable for RG SSRs