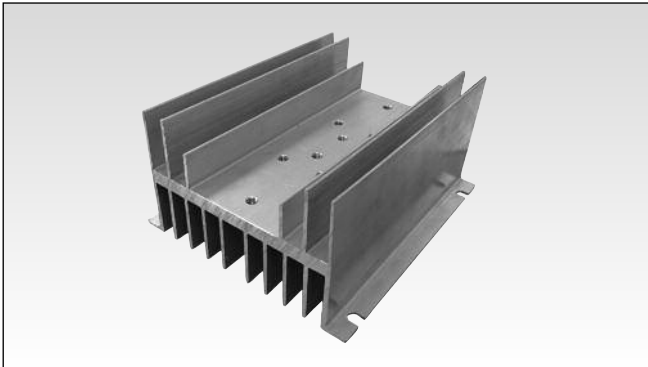


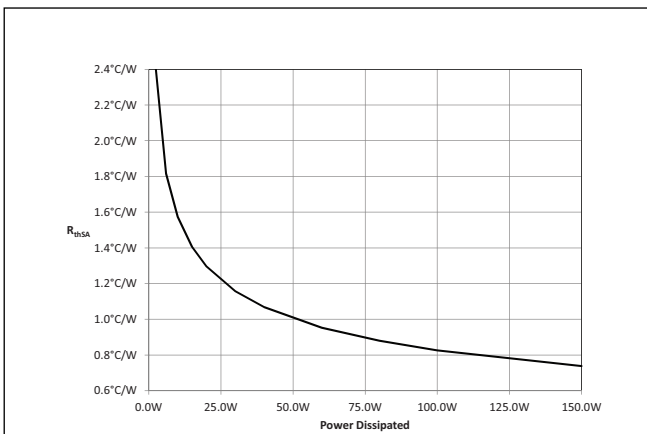
Solid State Relays Accessories, Heatsinks Type RHS10067LD

CARLO GAVAZZI



- 0.88 °C/W thermal resistance
- Suitable for mounting of 1-phase SSRs
- Panel mounting
- Dimensions W x H x D: 121 x 140 x 67 mm
- RoHS compliant

Thermal Resistance Curve



Ordering Key

RHS10067LD

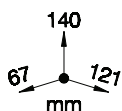
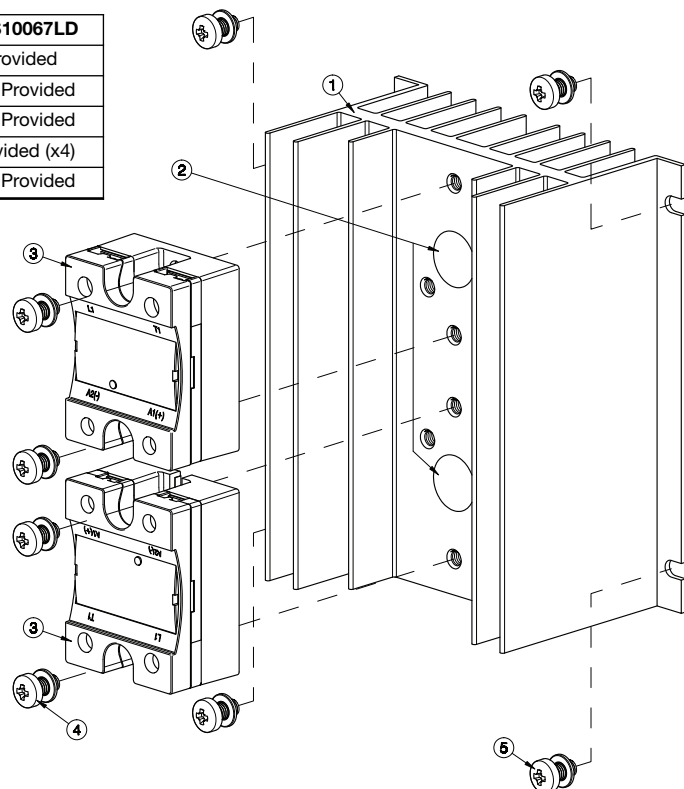
Product Description

Heatsink assembly suitable for mounting of 1x 1-phase solid state relay (SSR).

Suffix H58L added to SSR part no. refers to factory mounted heatsink. Conditions apply. Please ask your Sales representative for further details.

Heatsink Assembly

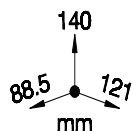
Components for assembly		Qty	RHS10067LD
1	RHS10067LD Heatsink Assembly	1	Provided
2	Thermal Compound or Pad	1	Not Provided
3	1-phase SSR 45x59mm (max.)	2	Not Provided
4	M5x10mm PZ2 + Washer (per SSR)	2	Provided (x4)
5	Panel Mounting Screws Ø5mm max.	4	Not Provided



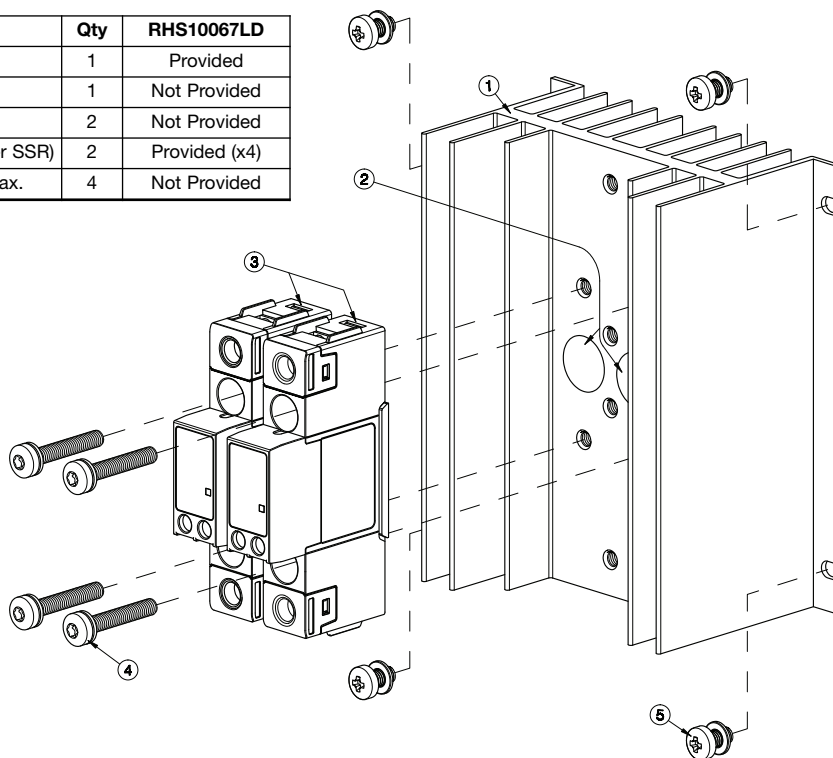
Dimensions including SSR

Heatsink Assembly

Components for assembly		Qty	RHS10067LD
1	RHS10067LD Heatsink Assembly	1	Provided
2	Thermal Compound or Pad	1	Not Provided
3	RGS1 SSR 18x90mm (max.)	2	Not Provided
4	M5x30mm Torx T20 + Washer (per SSR)	2	Provided (x4)
5	Panel Mounting Screws Ø5mm max.	4	Not Provided



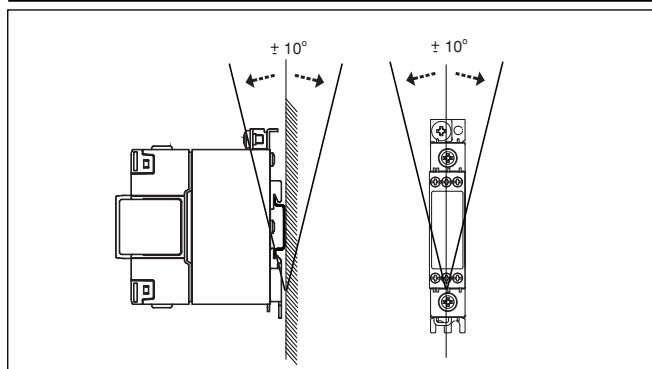
Dimensions including SSR



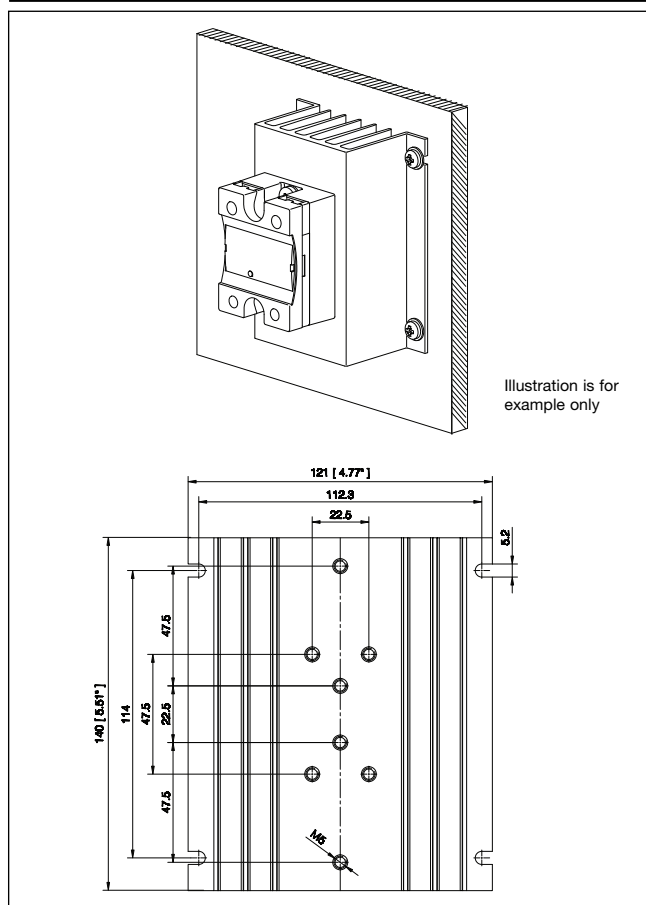
General Specifications

SSR max. mounting torque	1.5Nm (13.3 lb-in)
Weight (excl. SSR)	approx. 630g
Material	Aluminium
Finish	None
Fan mounting	Not possible

Mounting Position



Installation



All dimensions in mm.



Recommended Maximum Current Rating (per SSR)

Notes:

- The below recommendations are only valid when the assembly (SSR + heatsink) is mounted as shown in the mounting instructions unless otherwise indicated.
- The indicated ratings are applicable to one SSR, one pole. Please refer to the online selector tool at www.productselection.net for different load currents, surrounding temperatures or multiple units on one heatsink.
- These recommendations are applicable only with the indicated Carlo Gavazzi thermal interface material between SSR and heatsink. In case a different thermal interface is utilised these recommendation may no longer be valid.

Thermal interface = Thermal compound, **HTS02S**

Thermal interface = Thermal pad **KK071CUT** for 1-phase SSRs,
RGHT for RG SSRs

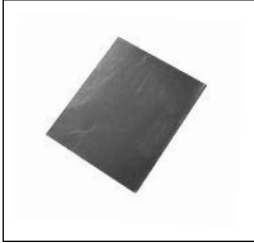
1x 1-phase SSR	Surrounding temperature							
	°C °F	20 68	30 86	40 104	50 122	60 140	70 158	80 176
RD..	1	1	1	1	1	1	1	n/a
	5	5	5	5	5	5	5	n/a
RA..L	10	10	10	10	10	10	10	n/a
RA..T	25	25	25	23	20	16.5	13.5	n/a
RA..	25	25	25	25	22.5	18.5	14	n/a
	50	45.5	42.5	36.5	30.5	24.5	18.5	n/a
	90	61	57	49	40.5	32.5	24	n/a
	110	69	64.5	55	45.5	36	26.5	n/a
RA60..	50	44.5	42	36.5	30.5	25	19	n/a
RA2A..*	25	25	25	25	23	18	12	n/a
	40	35	33	29.5	25.5	19.5	13	n/a
	25M	25	25	25	23	18	12	n/a
	40M	35.5	34	30	26	19.5	13	n/a
RS1A..	10	10	10	10	9.5	7.5	5.5	n/a
	25	25	25	25	25	25	18.5	n/a
	40	40	40	40	38.5	29	20	n/a
RS1A..E	25	23	21.5	19	16.5	13.5	11	n/a
	40	28	26	23	19.5	16.5	13	n/a
RM1A..	25	25	25	25	25	25	18.5	n/a
RM1B..	50	50	50	48	38.5	29	20	n/a
RM1C..	75	74	70	58.5	46.5	35	23.5	n/a
	100	84.5	77.5	64	51.0	38	25	n/a
RM1A60..								
RM1B60..	50	50	47.5	42.5	37.5	29.5	20.5	n/a
RM1C60..								
RM1E60..								
RAM1A..	25	25	25	25	25	25	18.5	10.5
	50	50	50	48	38.5	29	20	11
	75	74	70	58.5	46.5	35	23.5	12.5
	100	74	70	58.5	46.5	35	23.5	12.5
	125	84.5	77.5	64	51	38	25	13.5
RAM1B..	25	25	25	25	25	25	25	22
	50	50	50	50	46	39.5	33	26
	51	50	50	50	45	39	32.5	26
	75	69.5	66	59	51.5	44	36	28.5
	90							
	91	74.5	70.5	63	55	47	39	30.5
92								
RGS1..U	20	20	20	20	20	20	20	20
	30	30	30	30	30	30	30	26
RGS1D..	15	15	15	15	15	15	15	15
	25	25	25	25	25	22	18.5	15

1x 1-phase SSR	Surrounding temperature							
	°C °F	20 68	30 86	40 104	50 122	60 140	70 158	80 176
RD..	1	1	1	1	1	1	1	n/a
	5	5	5	5	5	5	5	n/a
RA..L	10	10	10	10	10	10	10	n/a
RA..T	25	24	23	20	17.5	15	12	n/a
RA..	25	25	25	24.5	21	17	13	n/a
	50	40	37.5	32.5	27	22	16.5	n/a
	90	50	47	40.5	34	27	20.5	n/a
	110	56	52.5	45	37.5	29.5	22	n/a
RA60..	50	39.5	37	32.5	27.5	22	17	n/a
RA2A..*	25	25	25	23.5	21	18	12	n/a
	40	31.5	29.5	26.5	23	19.5	13.5	n/a
	25M	25	25	23.5	21	18	12	n/a
	40M	32	30.5	27	23.5	20	13	n/a
RS1A..	10	10	10	10	9	7	5	n/a
	25	25	25	25	25	22	15	n/a
	40	40	40	38	31	23.5	16	n/a
RS1A..E	25	20.5	19.5	17	14.5	12	10	n/a
	40	24	22.5	19.5	17	14	11.5	n/a
RM1A..	25	25	25	25	25	22	15	n/a
RM1B..	50	48.5	45	38	31	23.5	16	n/a
RM1C..	75	56.5	52.5	44	35.5	27	18.5	n/a
	100	62	57.5	48	38.5	29	20	n/a
RM1A60..								
RM1B60..	50	44	42	37.5	31.5	24	17	n/a
RM1C60..								
RM1E60..								
RAM1A..	25	25	25	25	25	22	15	8.5
	50	48.5	45	38	31	23.5	16	9.0
	75	56.5	52.5	44.0	35.5	27	18.5	10.5
	100	56.5	52.5	44.0	35.5	27	18.5	10.5
	125	62	57.5	48.0	38.5	29	20	11
RAM1B..	25	25	25	25	25	25	21.5	17
	50	47	44.5	40	35	30	25	20
	51	46	43.5	39.5	34.5	30	25.5	20.5
	75	53.5	50.5	45	39.5	34	28	22
	90							
	91	56.5	53.5	48	42	36	30.0	23.5
92								
RGS1..U	20	20	20	20	20	20	20	17
	30	30	30	30	30	30	25	20
RGS1D..	15	15	15	15	15	15	13.5	11
	25	23.5	22.5	20.5	18	16	13.5	11

* per pole

Accessories

Thermal Pads



- Ordering key: **KK071CUT**
- Packing qty. 50 pcs.
- Suitable for 1-phase SSRs
- Dimensions: 35 x 43mm



- Ordering key: **RGHT**
- Packing qty. 10 pcs.
- Suitable for RG SSRs
- Dimensions: 14 x 35mm

Thermal Compound



- Ordering key: **HTS02S**
- 2ml syringe of silicone based thermal compound

Screw Kits



- Ordering key: **SRWKITM5X10MM**
- M5x10mm PZ2 screws + washers
- Packing qty. 20pcs.
- Suitable for 1-phase SSRs



- Ordering key: **SRWKITM5X30MM**
- M5x30mm Torx T20 screws + washers
- Packing qty. 20pcs.
- Suitable for RG SSRs