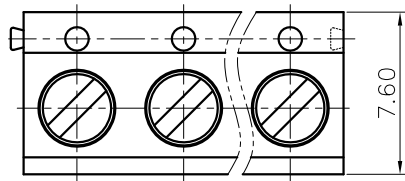


REVISION RECORD				
REV	ECN	DESCRIPTION	DRFT	DATE

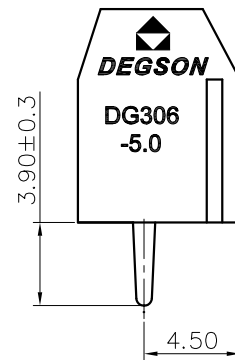
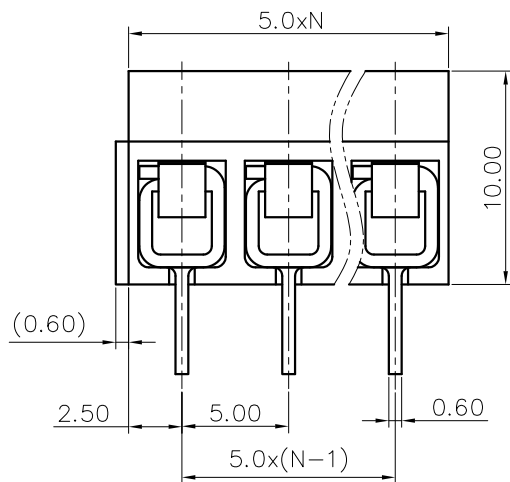
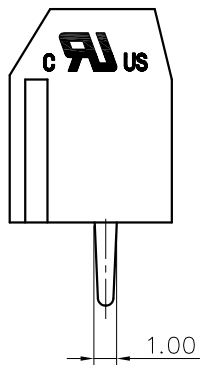


NOTES1:
 UL Standard
 1.Rated Voltage/Current : 300V / 10A
 2.Torque Value : M2.5 , 2.60Lb.in
 3.Wire Range : 22~14AWG
 IEC Standard
 1.Rated Voltage/Current : 250V / 15A
 2.Torque Value : M2.5 , 0.29N.m
 3.Wire Range : 0.75~1.5mm²

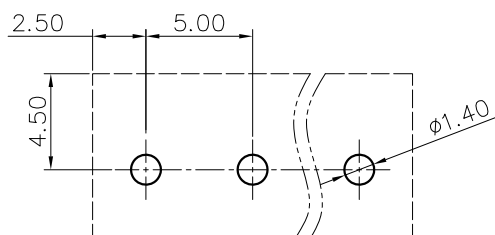
NOTES2:
 1.Dimension shall be interpreted per ASME Y14.5-2009
 2.Pitch : 5.0mm, Poles : N=02~24P
 3.Stripping length : 5~6mm
 4.Withstanding Voltage : AC2000V/1Min.
 5.Operating temperature: -30°C~+120°C
 6.Undimensioned Tolerances:

Pitch Range In mm		Nominal Dimension Range In mm					
TO	Over TO	TO	Over TO	TO	Over TO	TO	Over TO
6	10	30	60	100	150	0.1/10	
6	24	30	60	100	150	<	
						±0.15	±2*

7.RoHS Compliance



DG306 - 5.0 - XXP - 1Y - 00A (H)
 (Series No.) (Pitch) (Poles) (Single Pitch) (Color):1.(Grey)
 2.(Blue)
 3.(Black)
 4.(Green)
 5.(Orange)
 6.(Red)
 7.(Transparent)
 8.(Yellow)
 9.(White)



PCB LAYOUT

DETACHED LISTS	PART NO.:	NINGBO DEGSON ELECTRICAL CO., LTD		
	APPD:	NAME: DG306-5.0-XXP-1Y-00A(H)		
	CHKD:	TITLE: CUSTOMER DRAWING		
	DRFT:	DRAWING NO.:		REV
THIRD ANGLE PROJECTION		DO NOT SCALE DRAWING	SHEET	DO
		SCALE	1/1	