

4

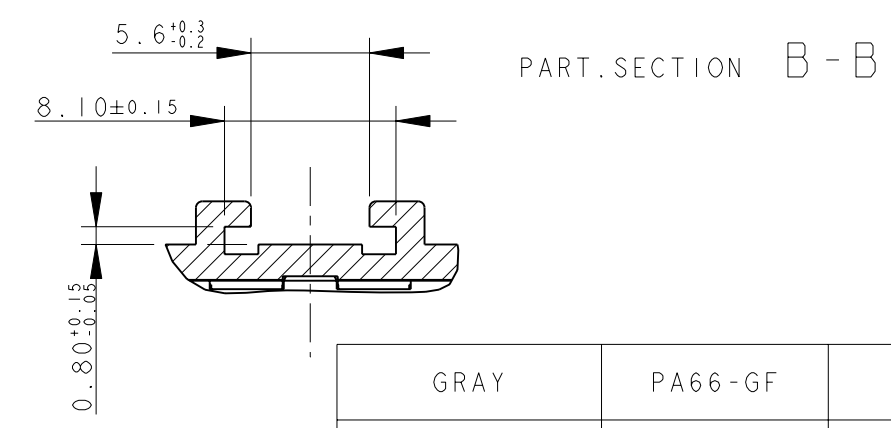
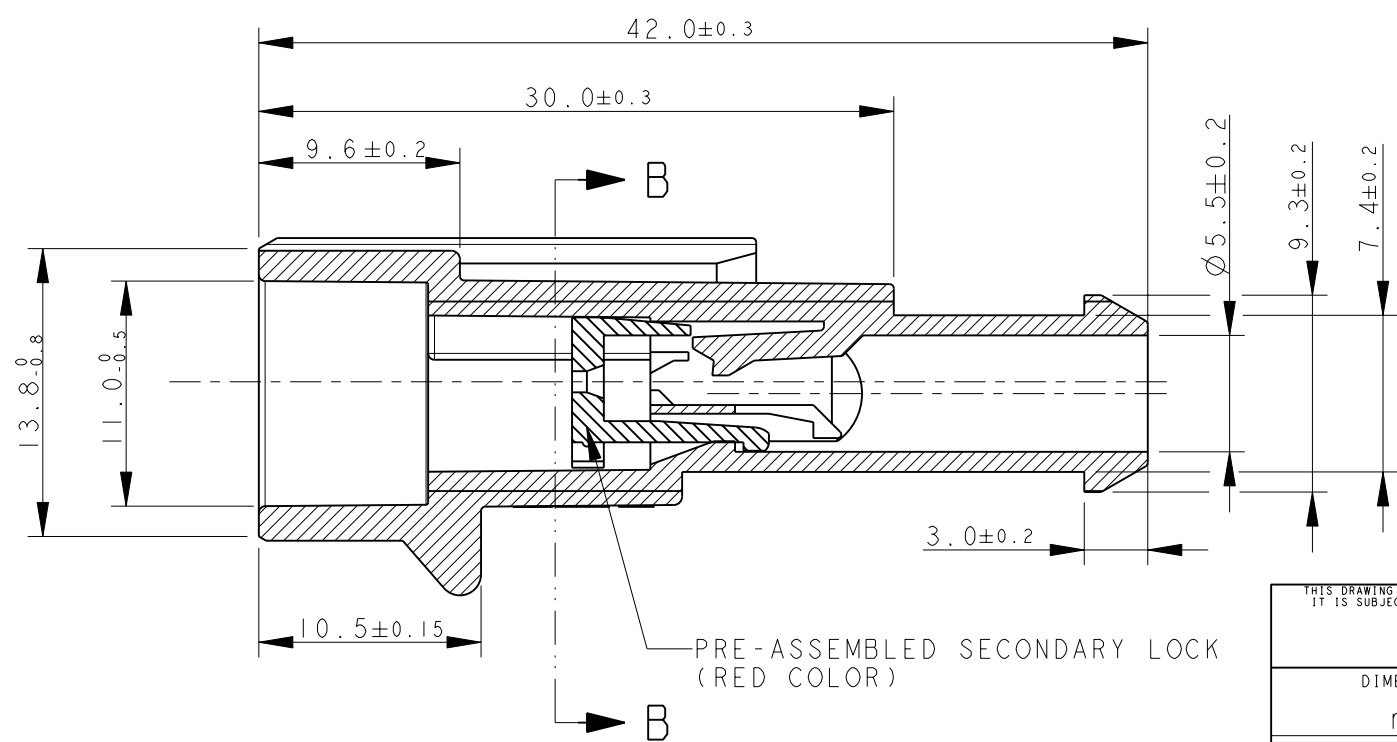
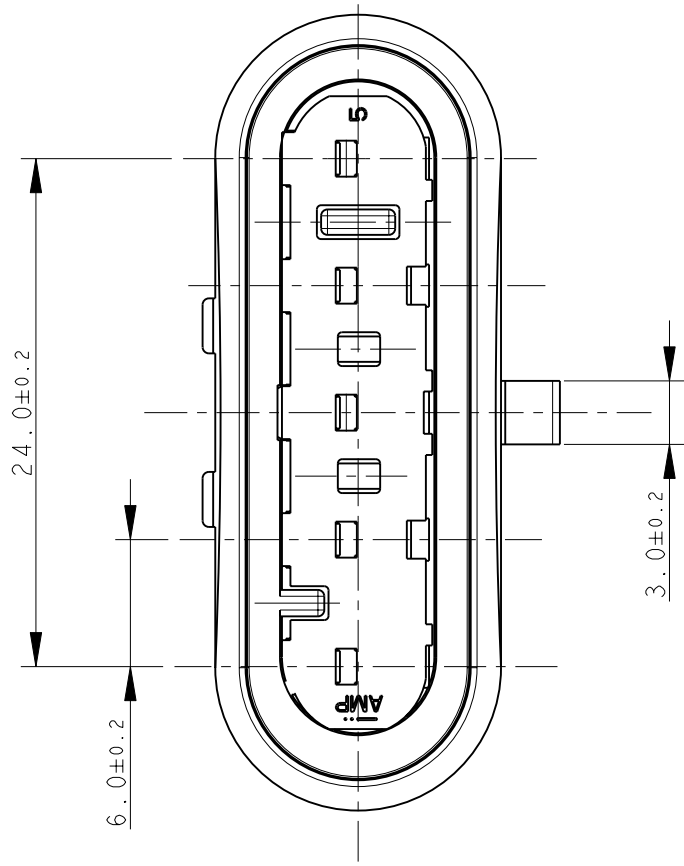
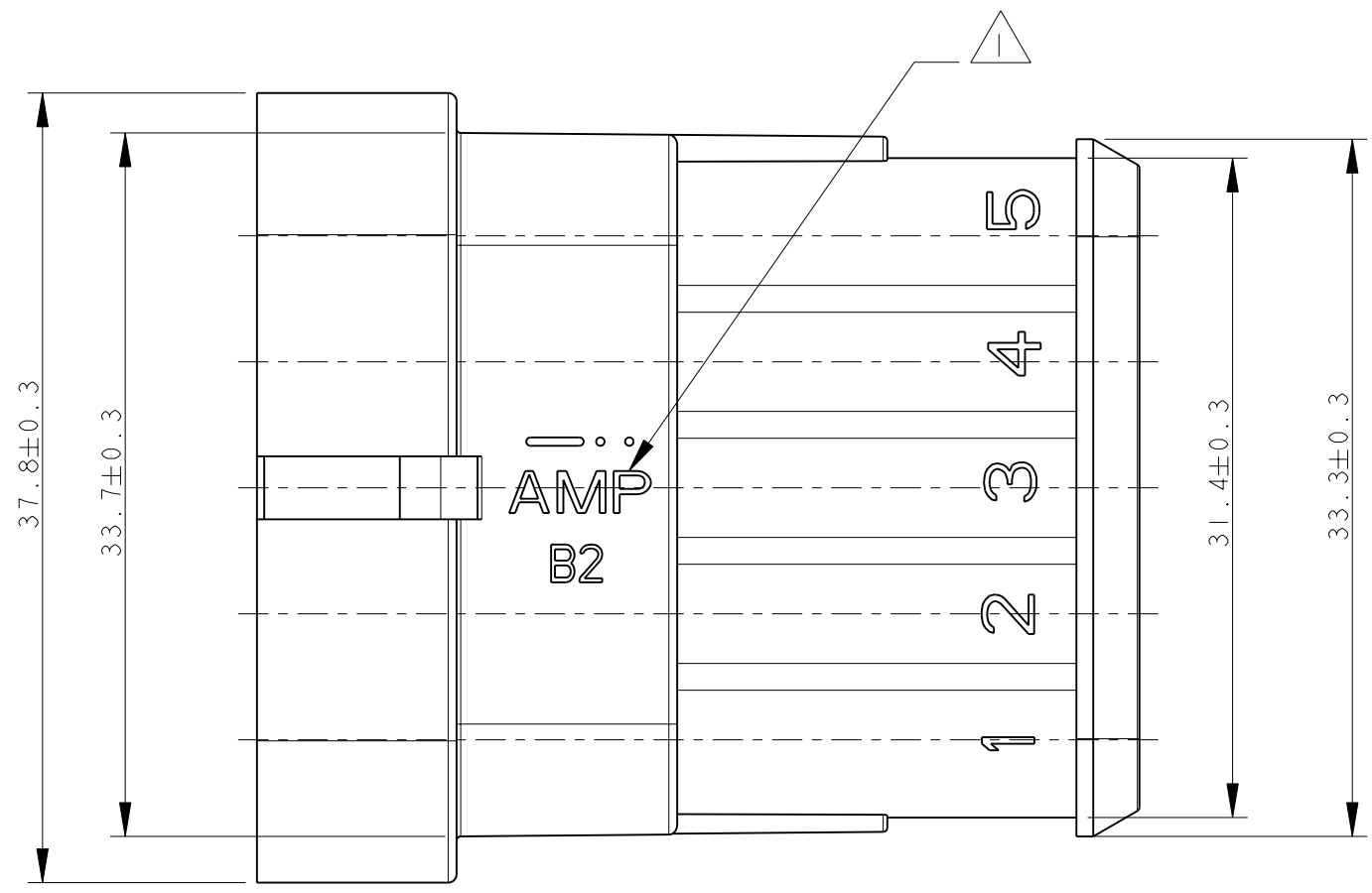
3

2

1

THIS DRAWING IS UNPUBLISHED. RELEASED FOR PUBLICATION 2009  
 © COPYRIGHT 2009 BY TYCO ELECTRONICS CORPORATION. ALL INTERNATIONAL RIGHTS RESERVED.

LOC	DIST	REVISIONS			
P	LTR	DESCRIPTION	DATE	DWN	APVD
1	-	B	REDRAWN (ECR-10-004138)	02MAR2010	M.G. M.G.



△ LOGO "AMP" O, IN ALTERNATIVA, LOGO TYCO ELECTRONICS ("AMP" TRADE MARK OR, IN ALTERNATIVE, TYCO ELECTRONICS TRADE MARK)

PRE-ASSEMBLED SECONDARY LOCK (RED COLOR)

THIS DRAWING IS A CONTROLLED DOCUMENT FOR TYCO ELECTRONICS CORPORATION IT IS SUBJECT TO CHANGE AND THE CONTROLLING ENGINEERING ORGANIZATION SHOULD BE CONTACTED FOR THE LATEST REVISION.

DIMENSIONS:		TOLERANCES UNLESS OTHERWISE SPECIFIED:	
mm			
0 PLC	±.		
1 PLC	±0.3		
2 PLC	±.		
3 PLC	±.		
4 PLC	±.		
ANGLES	±2°		
MATERIAL	-	FINISH	-

DWN	C. BERTINI	02-1990
CHK	A. BRUNI	02-1990
APVD	-	-
PRODUCT SPEC	108-20090	
APPLICATION SPEC	-	
WEIGHT	-	
CUSTOMER DRAWING		

GRAY	PA66-GF	282107-2
BLACK	PA66-GF	282107-1
FINISH/COLOR	MATERIAL	PART NUMBER
Tyco Electronics AMP Italia S.r.l. Corso F.lli Cervi,15 - Collegno (TO)		
NAME		
AMP SUPERSEAL 1.5 SRS. 5 POSITIONS TAB ASS'Y		
SIZE	CAGE CODE	DRAWING NO
A3	00779	C=282107
RESTRICTED TO		
-		
SCALE	SHEET	OF
-	1	1
REV	B	