

Flat Receptacles

F1315 = Product group; Product group discount F 13 1_

FCI, VOGT Flat Receptacles

For Crimping

Width: 6,3mm

Series: FH63X, FHI63X

Features

- Flat receptacles for crimping
- In accordance with DIN46247 T3, DIN46254 T3, DIN46345 T1
- Made of brass, some parts with coloured sleeve

Technical Specifications

Part Nr.	q _{Rated} [mm ²]	Fitting to Plug	Material/ Surface
FH63X08RT	0,5...1,0	6,3x0,8	CuZn/Sn
FH63X08BL	1,5...2,5	6,3x0,8	CuZn/Sn
FH63X08GE	4,0...6,0	6,3x0,8	CuZn/Sn
FH63X08M1-L	0,5...1,5	6,3x0,8	CuZn
FH63X08M2-L	1,5...2,5	6,3x0,8	CuZn
FHI63X08RT	0,5...1,0	6,3x0,8	CuZn/Sn
FHI63X08BL	1,0...2,5	6,3x0,8	CuZn/Sn

_RT = Red Insulation Sleeve, _BL = Blue Insulation Sleeve, _GE = Yellow Insulation Sleeve, q_{Rated} = Crimping Conductor Cross Section, CuZn = Brass, CuZn/Sn = Brass, Tin-plated

Dimensions

Part Nr.	A ₁ [mm]	A ₂ [mm]	l ₁ [mm]	l ₂ [mm]	l ₃ [mm]	s [mm]
FH63X08RT	-	-	22,0	7,4	-	0,45
FH63X08BL	-	-	22,0	7,4	-	0,45
FH63X08GE	-	-	22,0	7,4	-	0,45
FH63X08M1-L	9,0	4,5	19,0	7,5	4,0	0,45
FH63X08M2-L	9,0	4,5	19,0	7,5	4,0	0,45
FHI63X08RT	-	-	21,0	7,4	-	0,45
FHI63X08BL	-	-	21,0	7,4	-	0,45

s = Material Strength

Note

You will find suitable crimping tools in our red "Components and Devices" catalogue at product group T4611, part EWZ230C (for non-insulated flat tabs and flat receptacles) or EWZ301 (for insulated flat tabs and flat receptacles).

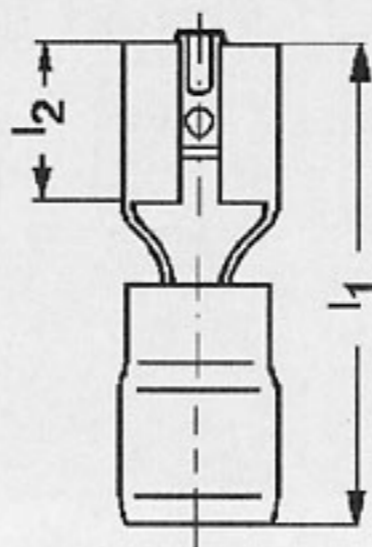
Terms of Delivery

Minimum order quantity: 1 PKU = 100 pieces

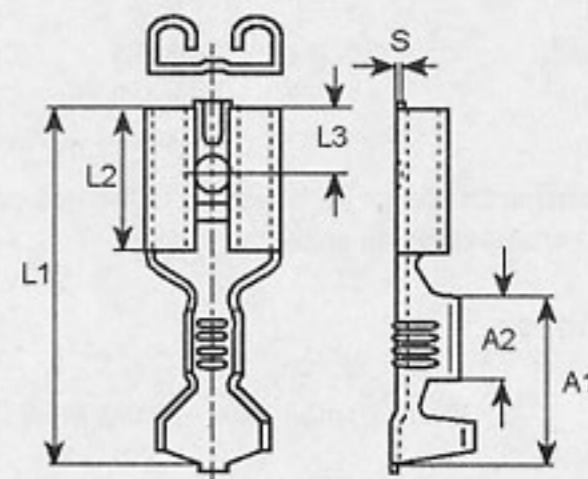
Manufacturer: FCI, 

<http://www.vogt.ch>

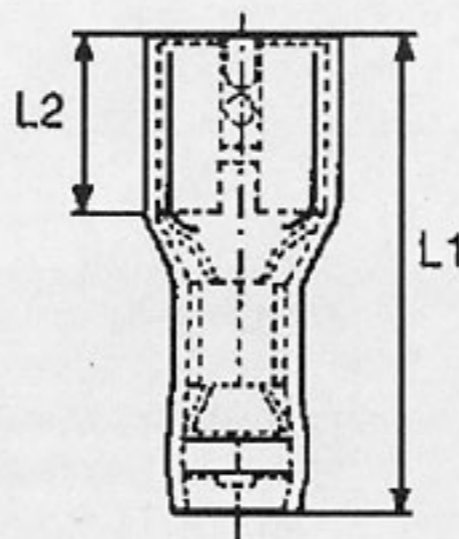
Part Nr.	Part description
FH63X08RT	Flat Recept. 6,3x0,8 1,0mm Red
FH63X08BL	Flat Recept. 6,3x0,8 2,5mm Blue
FH63X08GE	Flat Recept. 6,3x0,8 6,0mm Yellow
FH63X08M1-L	Flat Recept. 6,3x0,8 1,5mm Brass
FH63X08M2-L	Flat Recept. 6,3x0,8 2,5mm Brass
FHI63X08RT	Flat Recept. 6,3x0,8 isolated Red
FHI63X08BL	Flat Recept. 6,3x0,8 isolated Blue



FH63X08_



FH63X08M_-L



FHI63X08_