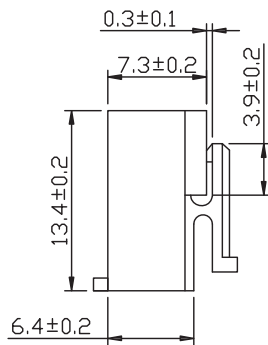
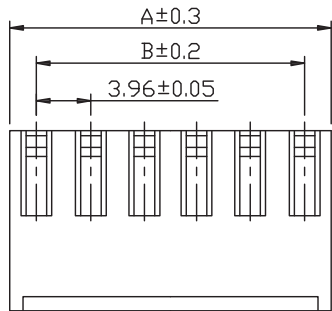
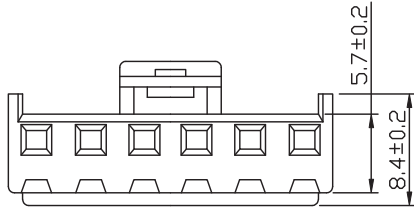


Housing

Technical data:

Insulating material: Nylon 66, UL 94V-0
 Rated current: 5 Amp.
 Rated voltage: 250 V_{RMS}/V_{DC}
 Withstand voltage: 1500 V_{RMS} for one minute
 Operating temperature: -25°C to +105°C

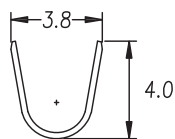
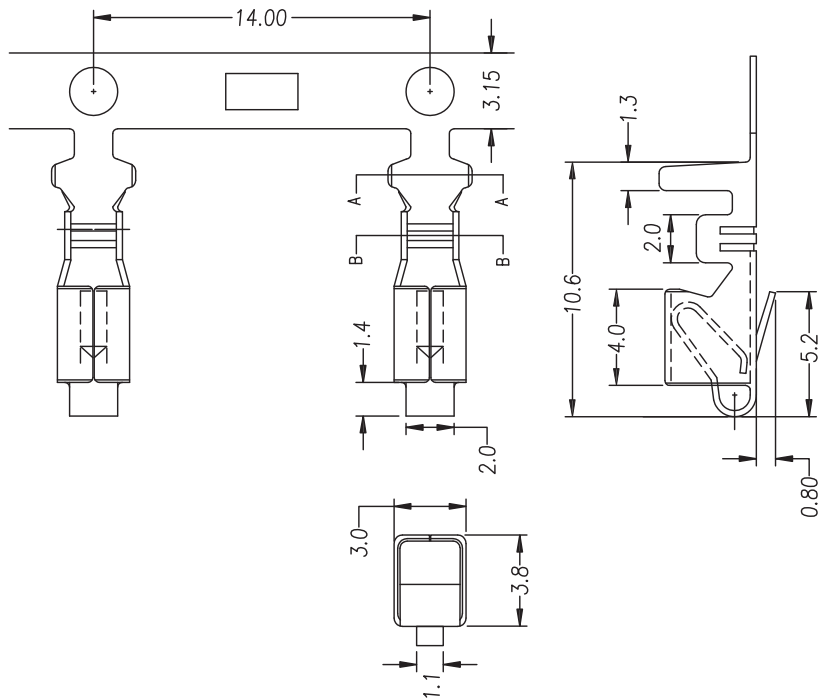
pitch	rows	row distance	orientation	termination
3,96	1			crimp



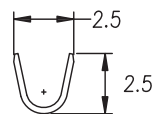
Pincount	Dimensions	
	A	B
002	8.01	3.96
003	12.06	7.92
004	16.02	11.88
005	19.98	15.84
006	23.94	19.80
007	27.90	23.76
008	31.86	27.72
009	35.82	31.68
010	39.78	35.64
011	43.74	39.60
012	47.70	43.56
013	51.66	47.52
014	55.62	51.48

Order code for contact:
707-1-TX-XR

Material: Brass
 Plating: Tin
 Insulation O.D.: 2,1 - 1,6 mm (max.)
 Wire range: 18 - 22 AWG
 Q'ty/reel: 4500 pcs



SEC A-A



SEC B-B

Pincount: see table

Order code: **579-1-XXX-X-BSO**