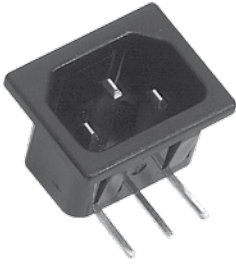
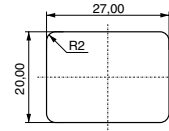


Power Inlet Snap-in, for PCB-termination

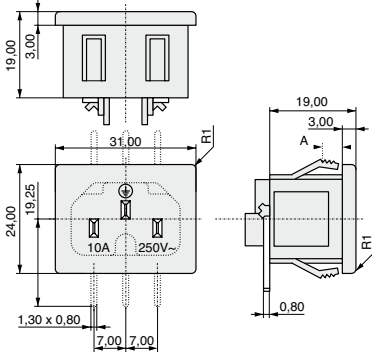
Series **624**



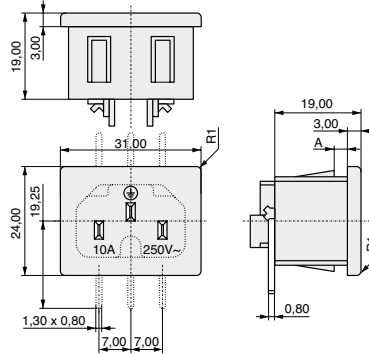
Rated current 10,0 A (16A acc. UL)
 Rated voltage 250 VRMS
 Approvals



Variable snap-in



Fixed snap-in



PCB termination	wire term.	Z
to the bottom	qucik con.	10,0
to the bottom	solder	7,0
to the top	qucik con.	14,0
to the top	solder	7,0

C | D | N | A
4 2 R 0 9 3 ? ? ? ? **V 0 1**

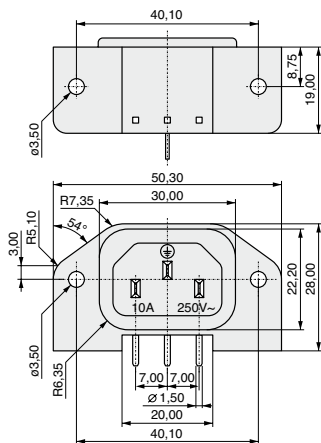
C | D | N | A
4 2 R 0 5 3 ? ? ? ? ? ? ? ?

PCB-flange Mount Power Inlet

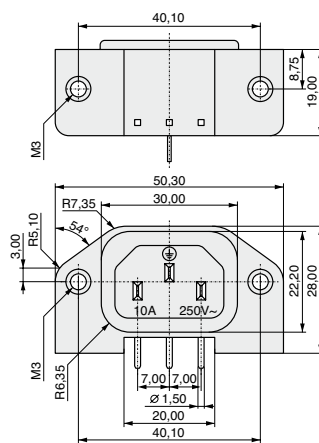
Series **621**



Rated current 10,0 A (16A acc. UL)
 Rated voltage 250 VRMS
 Approvals



With threaded inserts



C1
4 2 R 6 5 1 ? ? **1 1**

C1
4 2 R 6 5 2 ? ? **1 1**

C - Colour:
 1 = Black
 2 = Gray
 3 = White

C1 - Colour:
 6 = Black
 7 = Gray
 8 = White

N - Standard:
 06 = C16
 02 = C14
 10 = C16A

D - PCB termination:
 1 = to the bottom
 2 = to the top
 3 = to the back

A = Snap-in size:
 075 = 0,75 mm
 100 = 1,00 mm
 150 = 1,50 mm
 200 = 2,00 mm
 250 = 2,50 mm
 300 = 3,00 mm
 V01= 1,0 to 3,2 mm variable