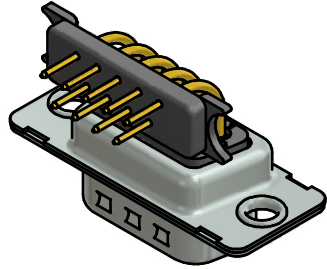
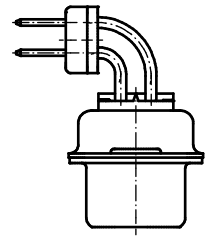
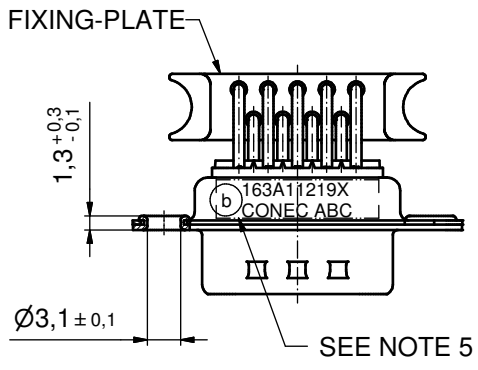
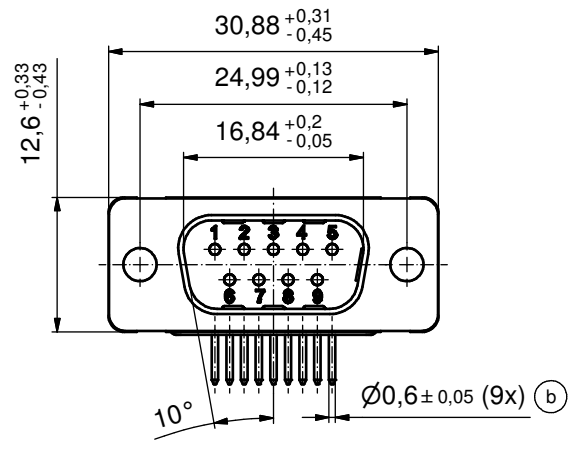
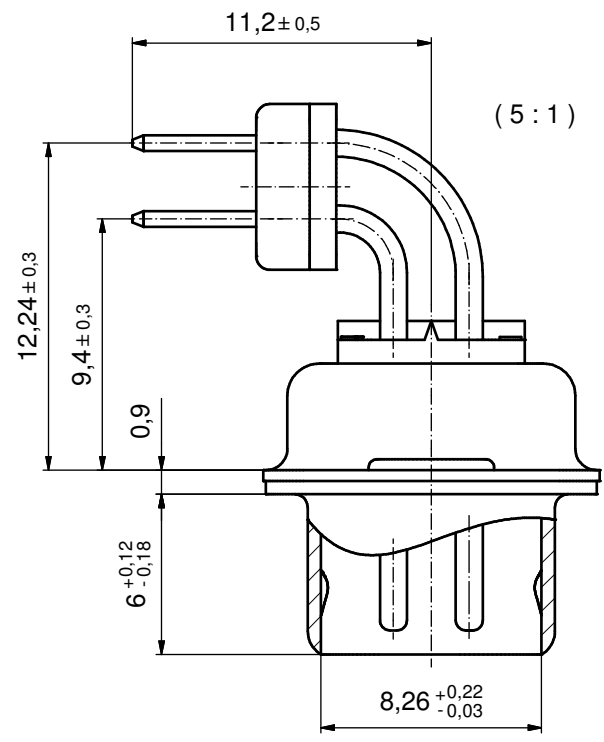
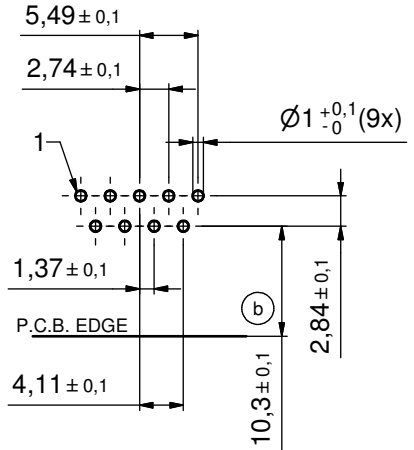


P.C.B. HOLE DRILLINGS



- NOTES:**
1. METALSHELLS: STEEL; min. 315µm TIN over 40-80µm NICKEL
 2. INSULATORS: PBT GF UL 94 V-0, BLACK
 3. CONTACTS: COPPER ALLOY
 4. FIXING-PLATE: PBT GF UL 94 V-0, BLACK
 5. CONNECTOR IS PART MARKED: 163A11219X CONEC ABC

(b)

Directive 2002/95/EC RoHS compliant

THIS DRAWING MAY NOT BE COPIED OR REPRODUCED IN ANY WAY, AND MAY NOT BE PASSED ON TO A THIRD PARTY WITHOUT WRITTEN PERMISSION. OWNERSHIP AND COPYRIGHT OF CONEC GmbH DO NOT ALTER CAD DRAWING BY HAND	tolerance		dim. in mm		scale: 2:1 (5:1)	
					material: SEE NOTES	
			date		title:	
			name		D-SUB MALE 90°	
			drawn 19.11.07		9pos. SOLDER PIN ANGLED 0.370inch with fixing-plate	
		appd. 19.11.07		dwg no:		
		norm		16K1A2180		
		d-old		part no: 163A11219X		
4 x b		Ä4035	07.07.2011	K.H.	DIN-A3	
a		Original			sh: 1	
rev.		description	date	name	CONEC®	