

U3233 = Product group; Product group discount U 32 3_

Power Transistors

Series: BD_

Case: TO126, TO218, TO220

Note

You will find suitable isolation assemblies and heatsinks in our blue "Passive and Electromechanical Components" catalogue starting at product group G9111.

Thermolubricants are available in the red "Components and Devices" catalogue from product group R3211.

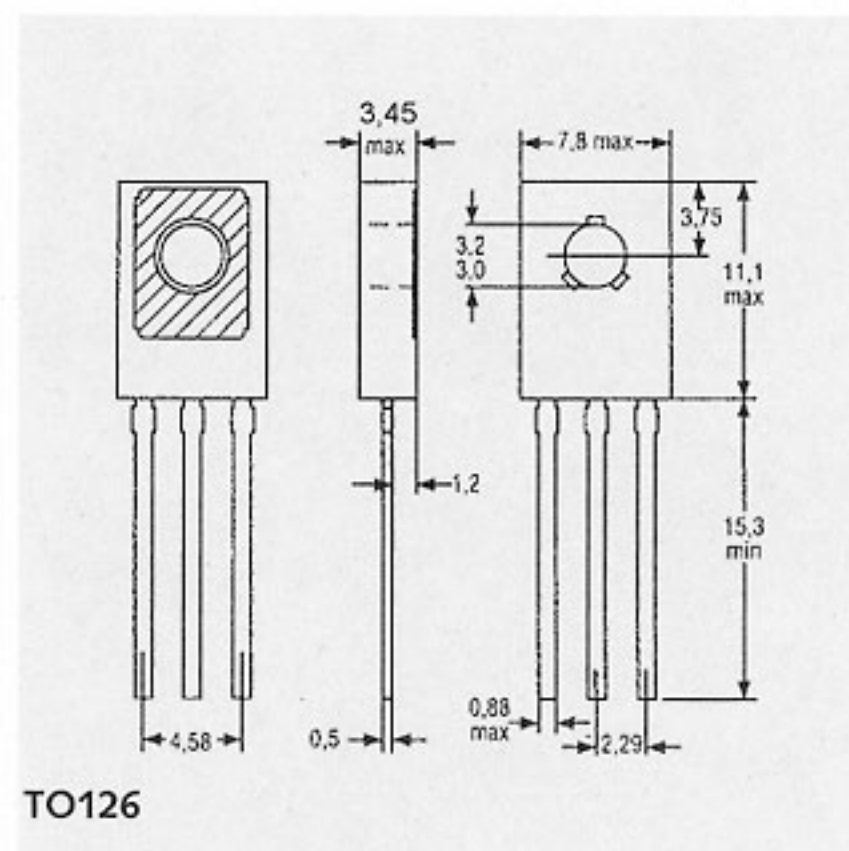
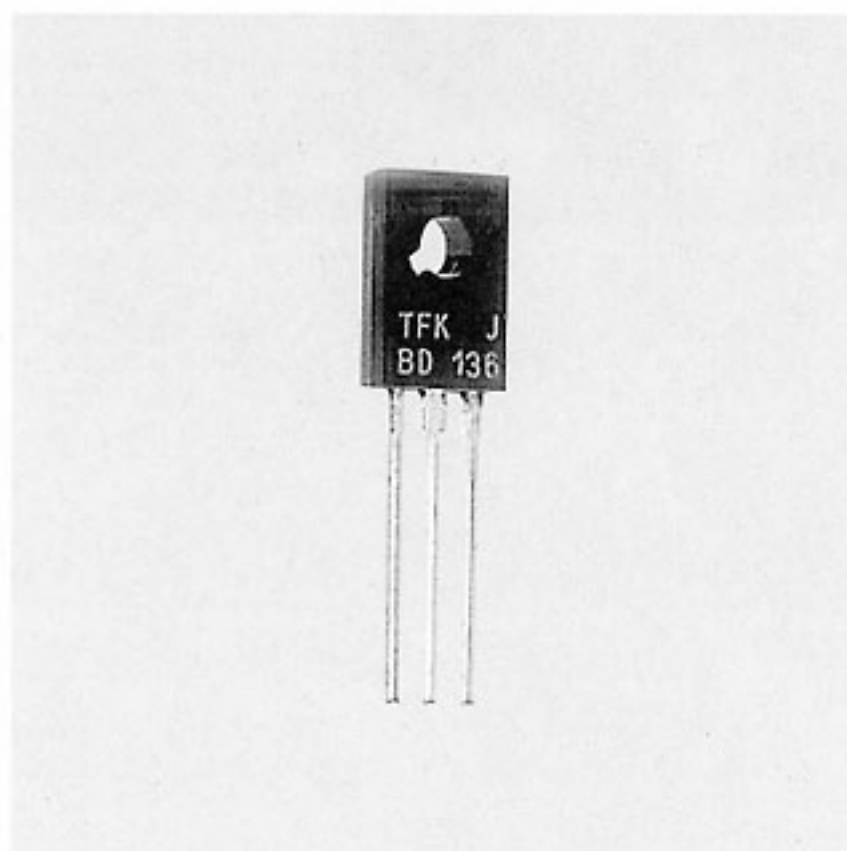
Terms of Delivery

Minimum order quantity: please see price list column "MOQ".

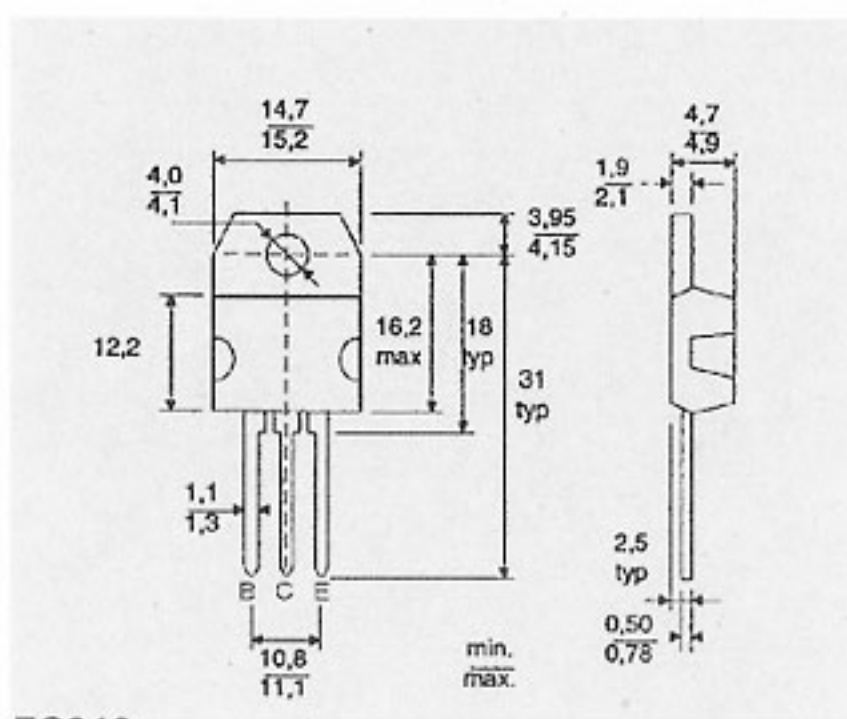
Manufacturer: Various

If you have preference for a particular manufacturer, please inquire before placing your order.

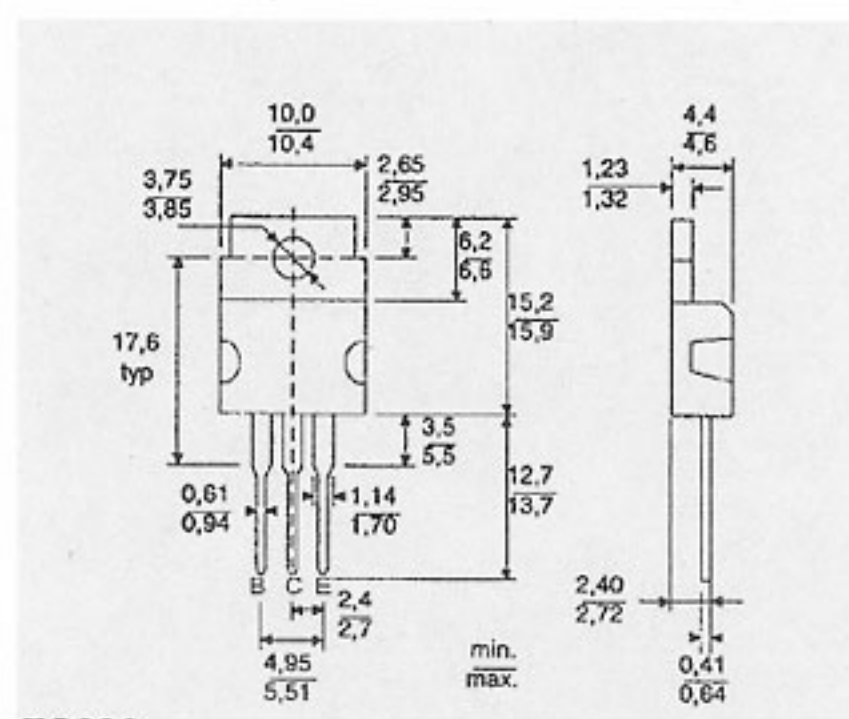
Part Nr.	Part description
BD135-10	NPN 45V 1,5A 8W B:60-160 TO126
BD135-16	NPN 45V 1,5A 8W B:100-250 TO126
BD136-10	PNP 45V 1,5A 8W B:60-160 TO126
BD136-16	PNP 45V 1,5A 8W B:100-250 TO126
BD137-10	NPN 60V 1,5A 8W B:60-160 TO126
BD137-16	NPN 60V 1,5A 8W B:100-250 TO126
BD138-10	PNP 60V 1,5A 8W B:60-160 TO126
BD138-16	PNP 60V 1,5A 8W B:100-250 TO126
BD139-10	NPN 80V 1,5A 8W B:60-160 TO126
BD139-16	NPN 80V 1,5A 8W B:100-250 TO126
BD140-10	PNP 80V 1,5A 8W B:60-160 TO126
BD140-16	PNP 80V 1,5A 8W B:100-250 TO126
BD237	NPN 80V 2A 25W >3MHz TO126
BD238	PNP 80V 2A 25W >3MHz TO126
BD239C	NPN 100V 2A 30W TO220
BD240C	PNP 100V 2A 30W TO220
BD241A	NPN 60V 3A 40W TO220
BD241B	NPN 80V 3A 40W TO220
BD241C	NPN 100V 3A 40W TO220
BD242B	PNP 80V 3A 40W TO220
BD242C	PNP 100V 3A 40W TO220
BD243B	NPN 80V 6A 65W TO220
BD243C	NPN 100V 6A 65W TO220
BD244C	PNP 100V 6A 65W TO220
BD246C	PNP 100V 10A 80W TO218
BD249C	NPN 100V 25A 125W TO218
BD250C	PNP 100V 25A 125W TO218
BD436	PNP 32V 4A 36W TO126
BD437	NPN 45V 4A 36W TO126
BD438	PNP 45V 4A 36W TO126
BD439	NPN 60V 4A 36W TO126
BD440	PNP 60V 4A 36W TO126
BD441	NPN 80V 4A 36W TO126
BD442	PNP 80V 4A 36W TO126
BD711	NPN 100V 12A 75W TO220
BD911	NPN 100V 15A 90W TO220
BD912	PNP 100V 15A 90W TO220



TO126



TO218



TO220