

### Features

<b>Switching</b>	Random
<b>Output</b>	Back to back SCR with internal snubber
<b>Input</b>	DC
<b>Applications</b>	Motor reversing

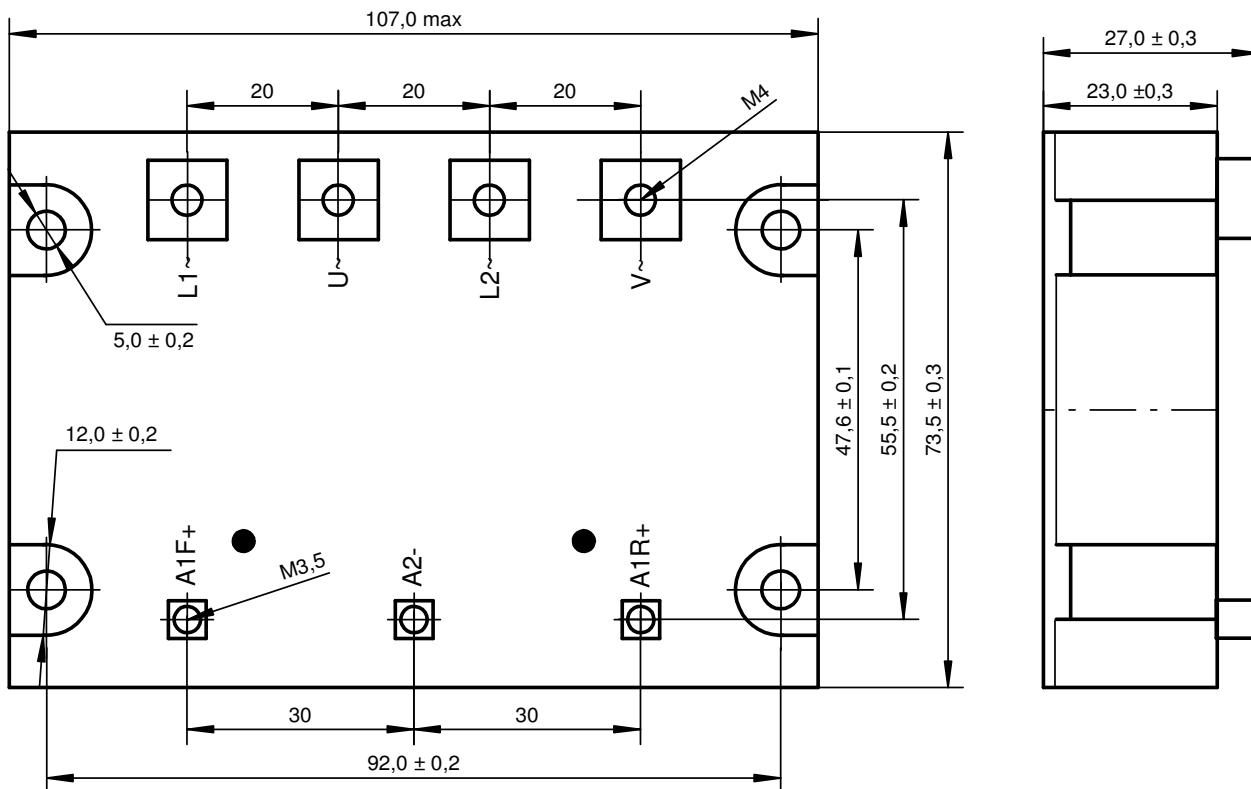
### Technical data

WG A0...	12D 10	12D 25	12D 45	16D 10	16D 25	16D 45
<b>Input circuit</b>						
Control voltage range	3...32 VDC					
Control current max	30 mA					
Turn-off voltage min..	1 VDC					
Input resistance	Constant current					
<b>Output circuit</b>						
Load voltage range	48...480 VAC			48...660 VAC		
Peak-off state votage	1200 V <sub>drm</sub>			1600 V <sub>drm</sub>		
Off-state leakage current	10 mA eff.					
Load current range	0,1...10 A	0,2...25 A	0,4...45 A	0,1...10 A	0,2...25 A	0,4...45 A
Surge current 1 half wave	110 A <sub>peak</sub>	230 A <sub>peak</sub>	500 A <sub>peak</sub>	110 A <sub>peak</sub>	230 A <sub>peak</sub>	500 A <sub>peak</sub>
I <sup>2</sup> t for fusing	60 A <sup>2</sup> s	260 A <sup>2</sup> s	1250 A <sup>2</sup> s	60 A <sup>2</sup> s	260 A <sup>2</sup> s	1250 A <sup>2</sup> s
On-state voltage	1,6 V <sub>peak</sub>					
Off-state (static) dv/dt	1000 V/μs					
Snubber	47 Ω / 10 nF					

### General data

Turn-on time max.	6 ms (@ 24 VDC control voltage)
Turn-off time max.	11 ms
Interlocking time	40...80 ms ( )
Line frequency range.	47...63 Hz
Isolation volt. between input/output	4.000 V
Isolation volt. between input-output/ base	2.500 V
Isolation resistance	50 MΩ
Operating temperature	-20...+80 °C
Recommended varistor	COMUS WG MOV 20-400
Approvals	

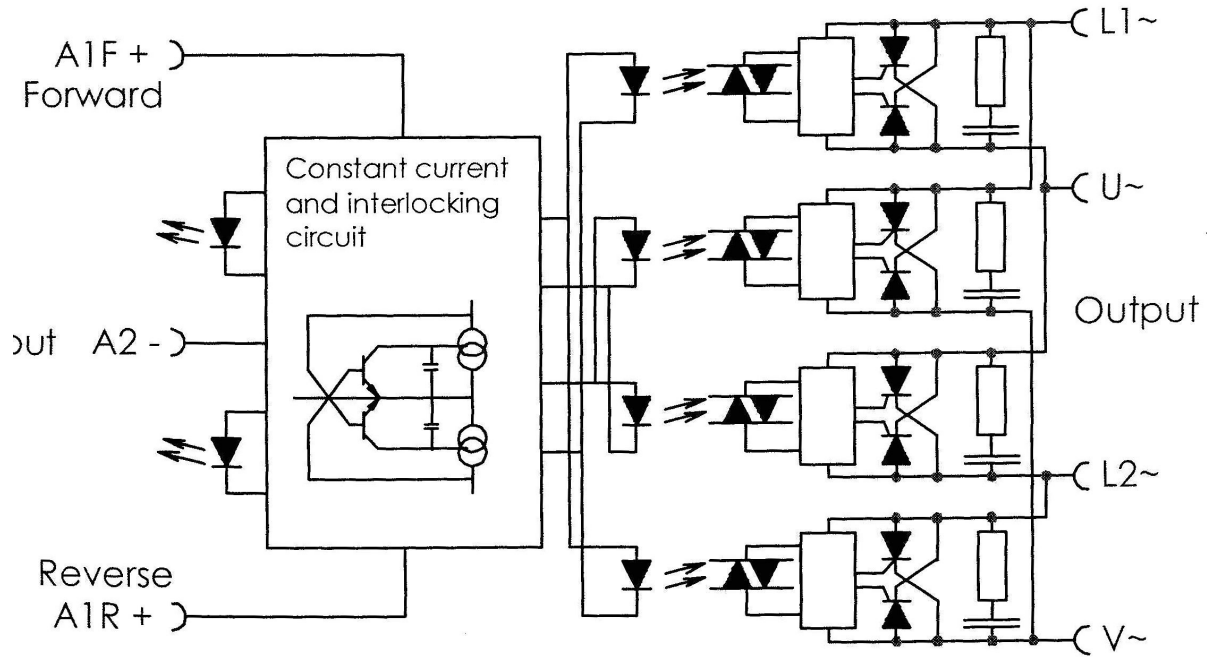
### Dimensions in mm



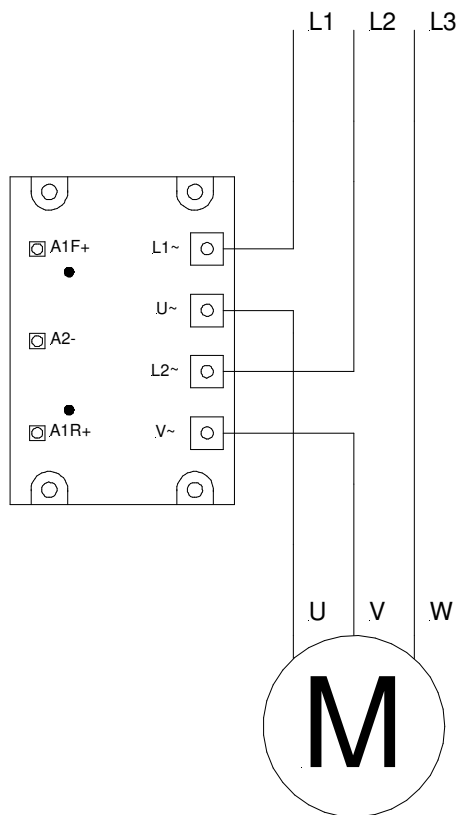
### Housing specification

Weight	Approx. 430 g.
Housing material	Glass filled polyester
Potting compound	UL recognized Epoxy
Base plate	Aluminium , nickel plated
Terminals	Input : M3,5-screws Output : M4-screws

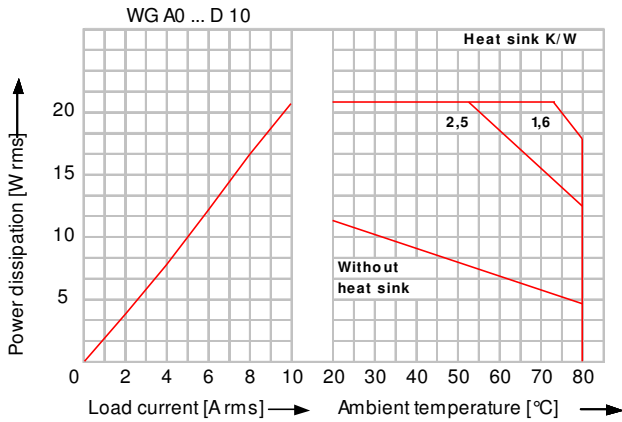
### Circuit diagram



### Connection diagram

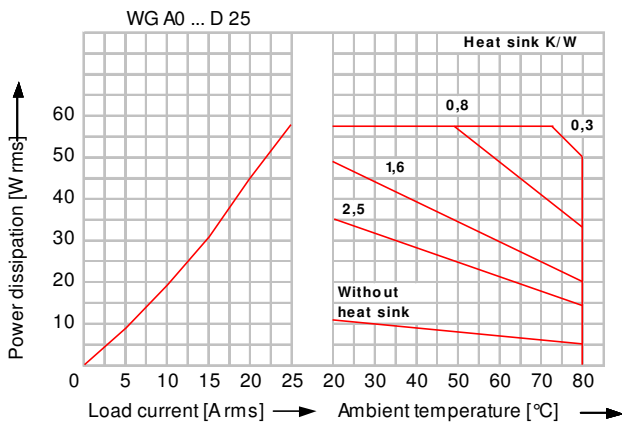


### Derating-diagrams



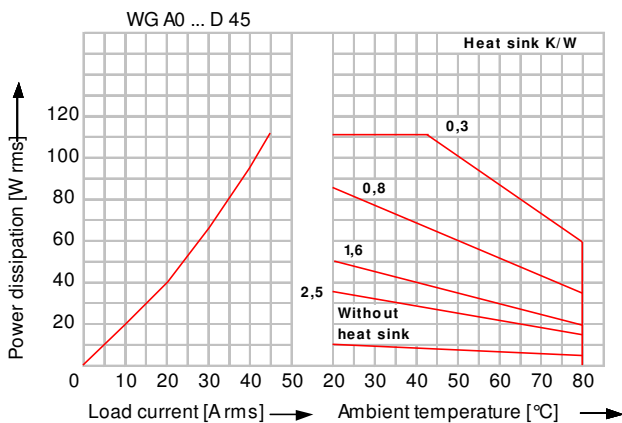
	Load current per 1 SSR
Heat sink	
WG K2/100	8 A
WG K3/160	10 A
WG K4/160L	10 A

Values for 40°C enclosure-temperature and mounted with conduction paste between the SSR and the heat sink



	Load current per 1 SSR
Heat sink	
WG K2/100	8 A
WG K3/160	22 A
WG K4/160L	25 A

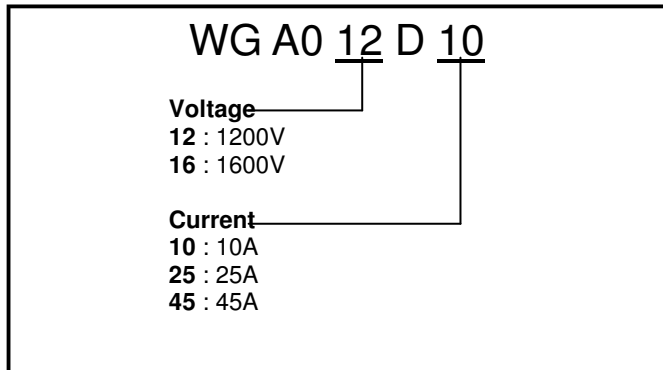
Values for 40°C enclosure-temperature and mounted with conduction paste between the SSR and the heat sink



	Load current per 1 SSR
Heat sink	
WG K2/100	8 A
WG K3/160	24 A
WG K4/160L	45 A

Values for 40°C enclosure-temperature and mounted with conduction paste between the SSR and the heat sink

## Ordering



Description	Part Number
Protective case large	8440 5701 770
Thermal Conducting paste	8406 0180 020
Heat sink WG K2/100	5981 5701 110
Heat sink WG K3/160	5981 5701 370
Heat sink WG K4/160L	5981 5701 371
Mounting plate	5981 5701 420