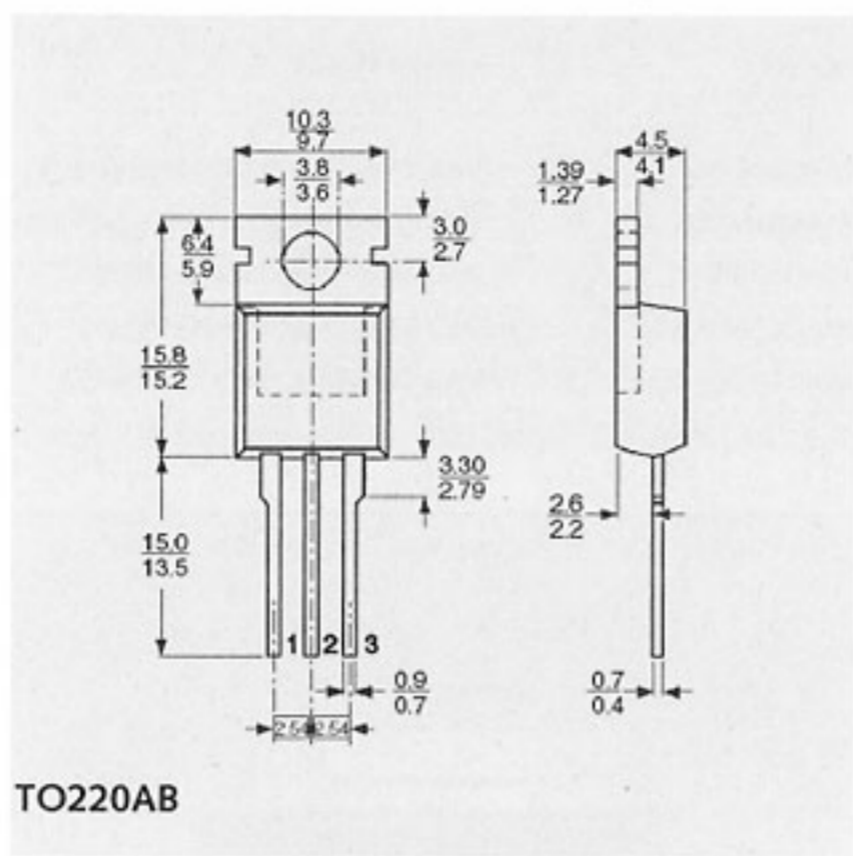
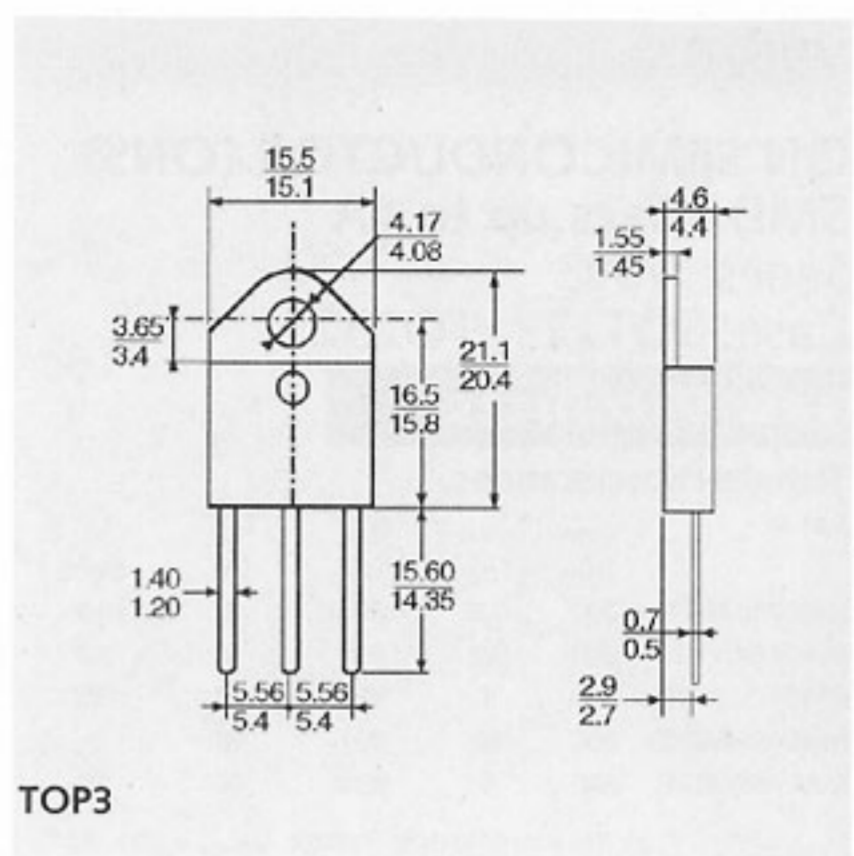


Triacs / SMD Triacs

V9537 = Product group; Product group discount V 95 3_



TO220AB



TOP3

V9575 = Product group; Product group discount V 95 7_

NXP SMD Triacs up to 8A Series: BT13_ Case: SOT223, D²Pak

Technical Specifications

Part Nr.	U _{RRM} [V]	I _{T(RMS)} [A]	@T _C [°C]	I _{TSM} [A]	I _{GT} [mA]
BT131W-600	600	1	110	12,5	3,0
BT134W-600D	600	1	108	10	5,0
BT134W-800	800	1	108	10	35
BT136B-800E	800	4	107	25	10
BT137B-800	800	8	102	65	35

U_{RRM} = Max. Peak Recurrent Reverse Voltage, I_{T(RMS)} = Max. RMS Forward Current, T_C = Case Temperature, I_{TSM} = Peak Forward Surge Current, I_{GT} = Max. Gate Trigger Current (I - III)

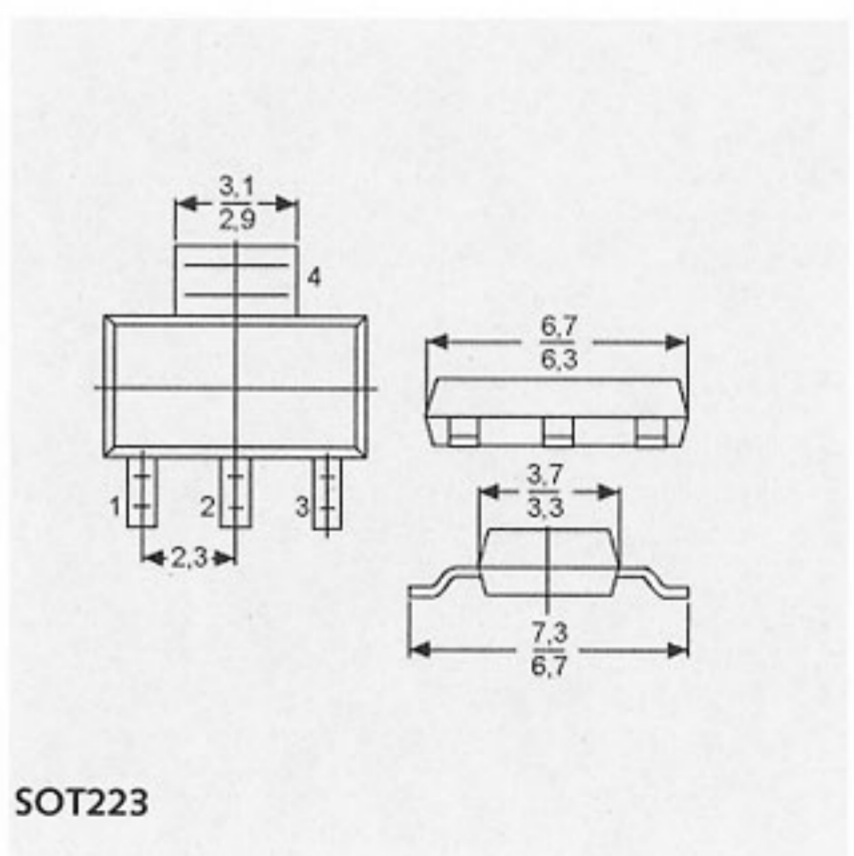
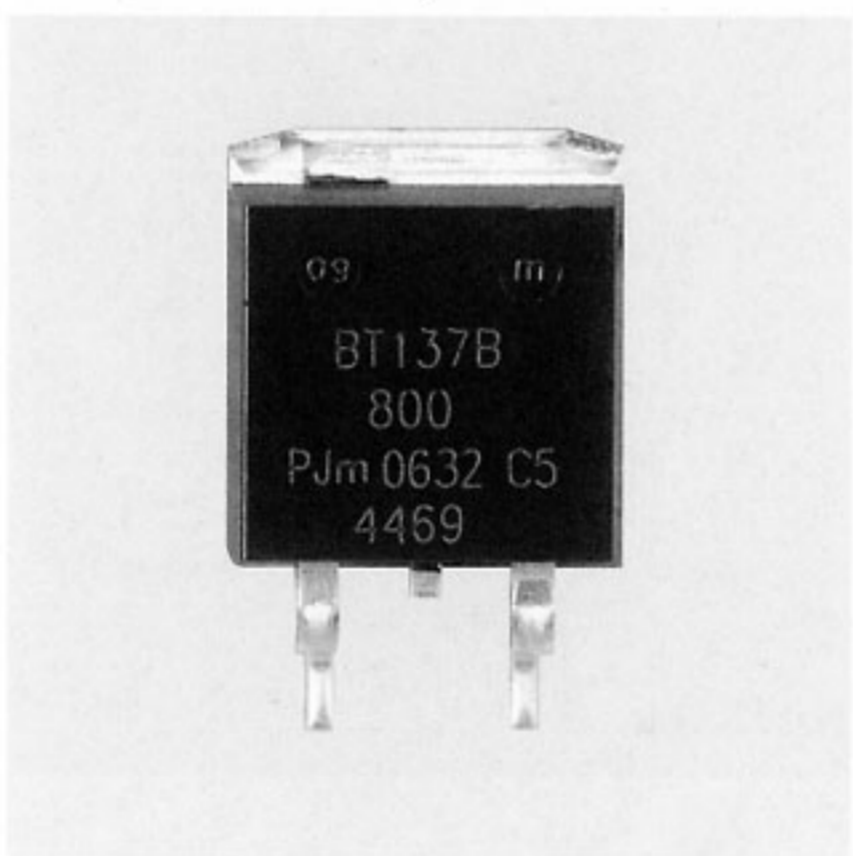
Terms of Delivery

Minimum order quantity: please see price list column "MOQ".

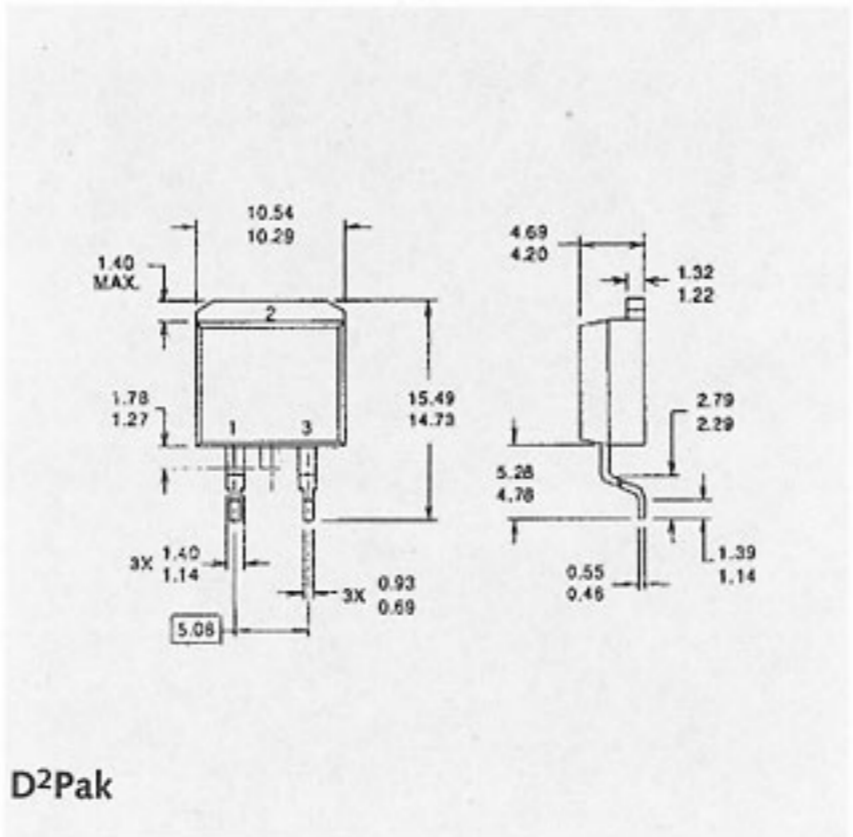
Manufacturer: NXP

<http://www.nxp.com>

Part Nr.	Part description
BT131W-600	SMD Triac 1A 600V 3mA SOT223
BT134W-600D	SMD Triac 1A 600V 5mA SOT223
BT134W-800	SMD Triac 1A 800V 35mA SOT223
BT136B-800E	SMD Triac 4A 800V 10mA D ² Pak
BT137B-800	SMD Triac 8A 800V 35mA D ² Pak



SOT223



D²Pak