

AK1550/..-3.5-GREEN



Technical Data

Wire Sizes		Insulating Material	
Solid min	0.14 mm ²	Material	PA 6.6
solid max	1.5 mm ²	Flammability Class	UL 94 V-0
Stranded (flexible) min	0.14 mm ²	Temperatures	
Stranded (flexible) max	1.5 mm ²	Operating Temperature	-30 °C - 105 °C
Stranded with Ferrule min	0.25 mm ²	Wave Soldering Process	
Stranded with Ferrule max	1.0 mm ²	Soldering Temperature, recommended	-
Dimensions		Peak Soldering Time, recommended	-
Stripped Length	7.0 mm	Reflow Process	
Materials		Soldering Temperature, recommended	-
Clamp	Brass	Peak Soldering Time, recommended	-
Screw	Bronze		
Contact Spring	Bronze		

Colours

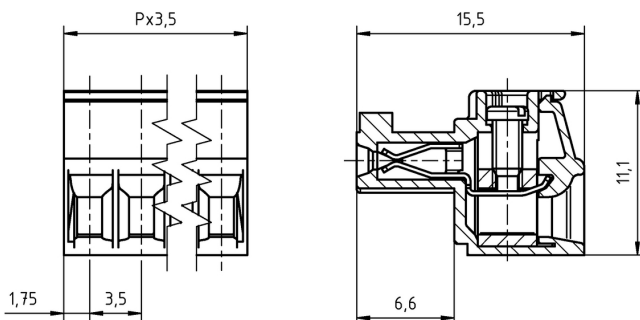
	GREEN, RAL6018
	BLACK, RAL9011
	BLUE, RAL5015
	LIGHT GREEN, similar RAL 6018

Colours according to RAL, there may be variations on colour due to production conditions.
Special colours on request.

Counterparts (Spacing 3.5 mm)

Pin Strip/Terminal Blocks
STL1550

If there are combinations with different ratings, the lower value is valid.



Order Data (Spacing 3.5 mm)

Poles	Width (mm)	Article Designation	Article Number	PU
2	7.00	AK1550/2-3.5-GREEN	51550020001F	200
3	10.50	AK1550/3-3.5-GREEN	51550030001F	200
4	14.00	AK1550/4-3.5-GREEN	51550040001F	200
5	17.50	AK1550/5-3.5-GREEN	51550050001F	200
6	21.00	AK1550/6-3.5-GREEN	51550060001E	100
7	24.50	AK1550/7-3.5-GREEN	51550070001E	100
8	28.00	AK1550/8-3.5-GREEN	51550080001D	50
9	31.50	AK1550/9-3.5-GREEN	51550090001D	50
10	35.00	AK1550/10-3.5-GREEN	51550100001D	50
11	38.50	AK1550/11-3.5-GREEN	51550110001D	50
12	42.00	AK1550/12-3.5-GREEN	51550120001D	50
13	45.50	AK1550/13-3.5-GREEN	51550130001D	50
14	49.00	AK1550/14-3.5-GREEN	51550140001D	50
15	52.50	AK1550/15-3.5-GREEN	51550150001D	50
16	56.00	AK1550/16-3.5-GREEN	51550160001D	50
17	59.50	AK1550/17-3.5-GREEN	51550170001D	50
18	63.00	AK1550/18-3.5-GREEN	51550180001D	50
19	66.50	AK1550/19-3.5-GREEN	51550190001D	50
20	70.00	AK1550/20-3.5-GREEN	51550200001D	50

Accessories

Figure	Designation	Article Number
	Bridge, 2-pole, BR/2-5.0/5.08-L7.5	50000000015
	Bridge, 3-pole, BR/3-3.5/3.81-L7.5	50000000016
	Bridge, 2-pole, insulated, BRI/2-7.0/7.62-L7.5-LIGHT GREY	50000000018
	Serie AK(Z)1550 mit Zuglasche	on request

Ratings



Usegroup	B	C	D		
Rated Voltage	300 V	-	300 V	160 V	
Rated Current	8 A	-	8 A	9 A	
Overtoltage Category				III	
Rated Wire Size			min		max
	solid	AWG 28-16	-	AWG 28-16	0.5 mm ² (6 A) 1.5 mm ² (9 A)
	stranded	AWG 28-16	-	AWG 28-16	0.5 mm ² (6 A) 1.5 mm ² (9 A)
Torque	0.25 Nm		-	0.25 Nm	0.25 Nm
Screw Size	M2		-	M2	M2
Test Voltage	1.6 kV		-	1.6 kV	2.5 kV
Pollution Degree					3