

CONNECT AND PROTECT

Front Panels

04/2023


nvent

SCHROFF

Modules – Front panels

OVERVIEW

MAIN KATALOG

- Cabinets 1
- Wall mounted cases 2
- Accessories for cabinets and wall mounted cases .. 3
- Climate control .. 4
- Electronics cases 5
- Subracks/ 19" chassis 6
- Front panels, plug-in units 7
- Systems 8
- Power supply units 9
- Backplanes 10
- Connectors, front panel component system 11
- Appendix 12



STANDARDS

- IEC 60297-3-101/IEEE 1101.1/10

SERVICEPLUS

- e.g. individual colouring
- e.g. customised cut-outs
- e.g. printing
- e.g. mounting service
- e.g. special dimensions

04292001



32304003

04210001 04603009

Modules – Front panels

OVERVIEW

FRONT PANELS FOR FITTING IN SUBRACKS, CASES AND SYSTEMS

- Extensive standard range with various finishes and materials (aluminium or stainless steel)
- Front Panel Express:
Fast delivery service of customised versions (from 2 days)
- EMC shielding retrofittable

Overview 7.2



04292001

FRONT PANELS, UNSHIELDED

- Aluminium, clear anodised
- Aluminium, clear pre-anodised, cut edge untreated
- Aluminium, front anodised, rear iridescent green chromated
- Other finishes on request

Front panels
Unshielded 7.4
Shieldable 7.5
EMC stainless steel
gaskets 7.6
Assembly tool 7.6



04600006

FRONT PANELS SHIELDABLE, FLAT

- With lateral grooves to fit EMC gaskets (stainless steel)
- Compatible with the shielded U profile version



FRONT PANELS, SHIELDABLE, U PROFILE

- With lateral groove to fix a textile self-adhesive EMC gasket or a stainless steel gasket which will be clipped onto the right side of the profile
- Compatible with the shielded flat version
- High robustness through U profile

Front panels
Shieldable
(U profile) 7.7
EMC gasket (textile) 7.6
EMC gasket
(stainless steel)..... 7.6a



FURTHER FRONT PANELS

- Hinged/folding front panels
- Front panels with GND/earthing
- Mezzanine front panels
- AdvancedTCA front panels
- MicroTCA front panels
- AdvancedMC front panels

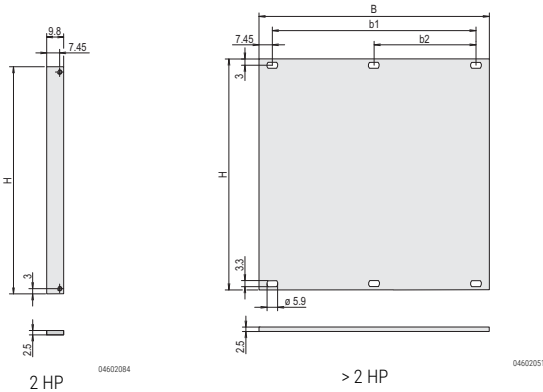
Further front panels
Hinged 7.8
Hinged, shielded ... 7.9
For D-Sub
connectors 7.10
For Coax
connectors 7.11
3 U with GND/
earthing 7.11
Mezzanine front
panels 7.12



Assembly kit 7.107
AdvancedTCA front
panels 8.12
MicroTCA front
panels 8.65
AdvancedMC front
panels 8.60

Modules – Front panels

FRONT PANELS, UNSHIELDED



- Front panel, Al, 2.5 mm
- Versions:
 - Al, anodised
 - Al, anodised, cut edges plain
 - Al, front anodised, rear conductive
- Please order fixing material (sleeves, collar screws) separately, see page 7.107

NOTE

- Other sizes and finishes available on request
- Please order fixing material separately, see chapter Assembly parts, page 7.107

ORDER INFORMATION

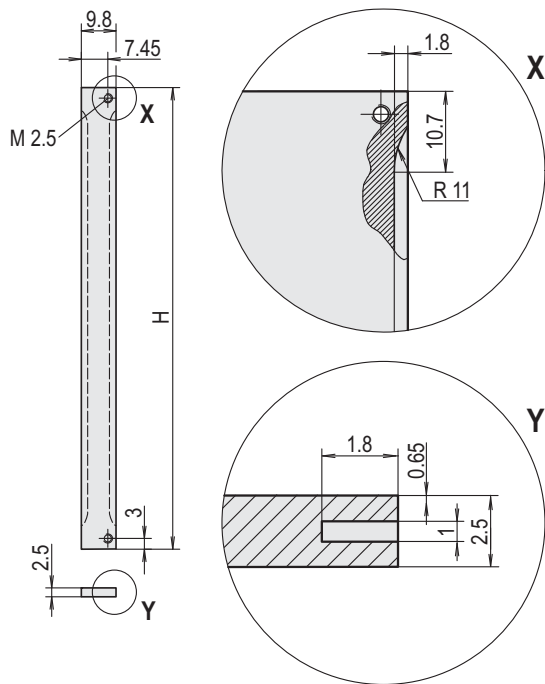
Height	H	Width	B	b1	b2	Qty	Anodised, cut edges plain	Anodised	Front anodised, rear conductive
U	mm	HP	mm	mm	mm	1)	Part no.	Part no.	Part no.
1	39.5	84	426.4	411.5	203.2	1	–	–	20850-426
2	84.0	28	141.9	127.0	–	1 (SPQ 5) ¹⁾	–	–	30847-458
2	84.0	42	213.0	198.1	101.6	1	–	–	30847-459
2	84.0	63	319.7	304.8	157.5	1	–	–	30847-460
2	84.0	84	426.4	411.5	203.2	1	30818-271	30807-416	30847-461
3	128.4	2	9.8	–	–	1 (SPQ 5) ¹⁾	30810-433	30810-432	30847-470
3	128.4	3	14.9	–	–	1 (SPQ 5) ¹⁾	30818-272	30807-508	30847-471
3	128.4	4	20.0	–	–	1 (SPQ 5) ¹⁾	30818-273	30807-481	30838-043
3	128.4	5	25.0	–	–	1 (SPQ 5) ¹⁾	30818-274	30807-510	30838-044
3	128.4	6	30.1	–	–	1 (SPQ 5) ¹⁾	30818-275	30807-482	30838-045
3	128.4	7	35.2	–	–	1 (SPQ 5) ¹⁾	30818-276	30807-509	30838-046
3	128.4	8	40.3	25.4 ²⁾	–	1 (SPQ 5) ¹⁾	30818-277	30807-484	30838-047
3	128.4	10	50.5	35.6	–	1 (SPQ 5) ¹⁾	30818-279	30807-483	30838-049
3	128.4	12	60.6	45.7	–	1 (SPQ 5) ¹⁾	30818-281	30807-485	30838-051
3	128.4	14	70.8	55.9	–	1 (SPQ 5) ¹⁾	30818-282	30807-501	30838-053
3	128.4	21	106.3	91.4	–	1 (SPQ 5) ¹⁾	30818-289	30807-487	30838-060
3	128.4	28	141.9	127.0	–	1 (SPQ 5) ¹⁾	30818-296	30807-496	30838-067
3	128.4	42	213.0	198.1	101.6 ²⁾	1	30818-310	30807-494	30838-081
3	128.4	63	319.7	304.8	157.5	1	30818-331	30808-067	30838-102
3	128.4	84	426.4	411.5	203.2	1	30818-352	30807-506	30838-123
4	172.9	28	141.9	127.0	–	1 (SPQ 5) ¹⁾	–	–	30847-462
4	172.9	42	213.0	198.1	101.6 ²⁾	1	–	–	30847-463
4	172.9	63	319.7	304.8	157.5	1	–	–	30847-464
4	172.9	84	426.4	411.5	203.2	1	30818-434	30807-596	30847-465
5	217.4	28	141.9	127.0	–	1 (SPQ 5)	–	–	30847-466
5	217.4	42	213.0	198.1	101.6 ²⁾	1 ¹⁾	–	–	30847-467
5	217.4	63	319.7	304.8	157.5	1	–	–	30847-468
5	217.4	84	426.4	411.5	203.2	1	–	–	30847-469
6	261.8	2	9.8	–	–	1 (SPQ 5) ¹⁾	30818-747	30818-741	30847-472
6	261.8	4	20.0	–	–	1 (SPQ 5) ¹⁾	30818-518	30807-778	30838-124
6	261.8	5	25.0	–	–	1 (SPQ 5) ¹⁾	30818-519	30807-777	30838-125
6	261.8	6	30.1	–	–	1 (SPQ 5) ¹⁾	30818-520	30807-752	30838-126
6	261.8	7	35.2	–	–	1 (SPQ 5) ¹⁾	30818-521	–	30838-127
6	261.8	8	40.3	25.4 ²⁾	–	1 (SPQ 5) ¹⁾	30818-522	30807-779	30838-128
6	261.8	10	50.5	35.6	–	1 (SPQ 5) ¹⁾	30818-524	30807-753	30838-130
6	261.8	12	60.6	45.7	–	1 (SPQ 5) ¹⁾	30818-526	30807-755	30838-132
6	261.8	14	70.8	55.9	–	1 (SPQ 5) ¹⁾	30818-528	30807-758	30838-134
6	261.8	16	80.9	66.0	–	1 (SPQ 5) ¹⁾	30818-530	30807-780	30838-136
6	261.8	21	106.3	91.4	–	1 (SPQ 5) ¹⁾	30818-535	30807-757	30838-141
6	261.8	28	141.9	127.0	–	1 (SPQ 5) ¹⁾	30818-542	30807-766	30838-148
6	261.8	42	213.0	198.1	101.6 ²⁾	1	30818-556	30807-764	30838-162
6	261.8	63	319.7	304.8	157.5	1	30818-577	30807-771	30838-183
6	261.8	84	426.4	411.5	203.2	1	30818-598	30807-776	30838-204
9	395.1	84	426.4	411.5	203.2	1	–	–	30847-556

1) SPQ (standard pack quantity): Part number includes 1 piece, but delivery is exclusively made in standard pack quantity (SPQ); please order at least the SPQ quantity or a multiple

2) This dimension is only available for "front anodised, rear iridescent green chromated" version

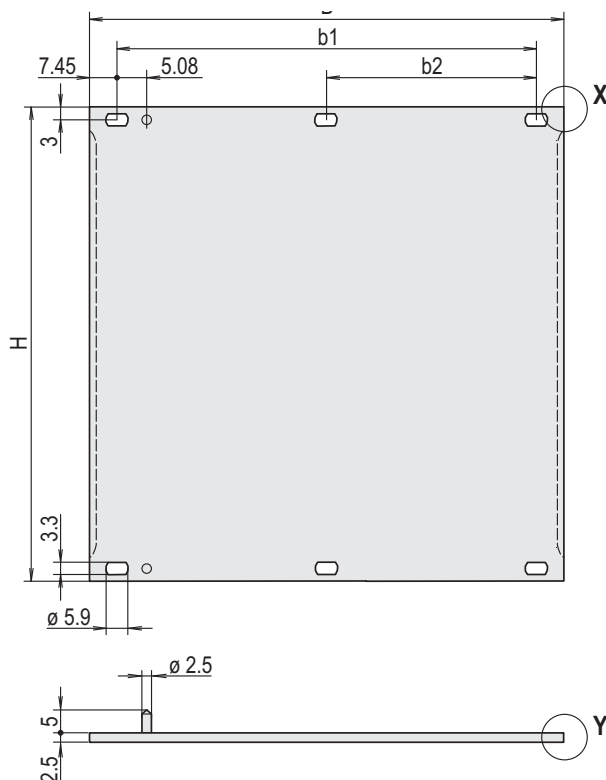
Modules – Front panels

FRONT PANELS, SHIELDABLE



2 HP

04602052



> 2 HP

04608154

- Front panel, Al, 2.5 mm, front anodised, rear iridescent green chromated, 2 alignment pins pressed-in, stainless steel
- Shielding with stainless steel EMC gasket

ORDER INFORMATION

Height H U	mm	Width HP	B mm	b1 mm	b2 mm	Align- ment pin	Qty	Part no.
2	84	84	426.4	411.5	203.2	-	1	30846-588
3	128.4	2	9.8	-	-	-	1 (SPQ 5) ¹⁾	30846-864
3	128.4	3	14.9	-	-	x	1 (SPQ 5) ¹⁾	20846-425
3	128.4	4	20	-	-	x	1 (SPQ 5) ¹⁾	20846-426
3	128.4	5	25	-	-	x	1 (SPQ 5) ¹⁾	20846-427
3	128.4	6	30.1	-	-	x	1 (SPQ 5) ¹⁾	20846-428
3	128.4	7	35.2	-	-	x	1 (SPQ 5) ¹⁾	20846-429
3	128.4	8	40.3	25.4	-	x	1 (SPQ 5) ¹⁾	20846-430
3	128.4	10	50.5	35.6	-	x	1 (SPQ 5) ¹⁾	20846-431
3	128.4	12	60.6	45.7	-	x	1 (SPQ 5) ¹⁾	20846-432
3	128.4	14	70.8	55.9	-	x	1 (SPQ 5) ¹⁾	20846-433
3	128.4	21	106.3	91.4	-	x	1 (SPQ 5) ¹⁾	20846-434
3	128.4	28	141.9	127	-	x	1 (SPQ 5) ¹⁾	20846-436
3	128.4	42	213	198.1	101.6	x	1	20846-437
3	128.4	63	319.7	304.8	157.5	x	1	20846-438
3	128.4	84	426.4	411.5	203.2	-	1	30846-676
4	172.9	84	426.4	411.5	203.2	-	1	30846-683
6	261.8	2	9.8	-	-	-	1 (SPQ 5) ¹⁾	30846-865
6	261.8	4	20	-	-	x	1 (SPQ 5) ¹⁾	20846-443
6	261.8	5	25	-	-	x	1 (SPQ 5) ¹⁾	20846-444
6	261.8	6	30.1	-	-	x	1 (SPQ 5) ¹⁾	20846-445
6	261.8	7	35.2	-	-	x	1 (SPQ 5) ¹⁾	20846-446
6	261.8	8	40.3	25.4	-	x	1 (SPQ 5) ¹⁾	20846-447
6	261.8	10	50.5	35.6	-	x	1 (SPQ 5) ¹⁾	20846-448
6	261.8	12	60.6	45.7	-	x	1 (SPQ 5) ¹⁾	20846-449
6	261.8	14	70.8	55.9	-	x	1 (SPQ 5) ¹⁾	20846-450
6	261.8	16	80.9	66	-	x	1 (SPQ 5) ¹⁾	20846-456
6	261.8	21	106.3	91.4	-	x	1 (SPQ 5) ¹⁾	20846-451
6	261.8	28	141.9	127	-	x	1 (SPQ 5) ¹⁾	20846-452
6	261.8	42	213	198.1	101.6	x	1	20846-453
6	261.8	63	319.7	304.8	157.5	x	1	20846-454
6	261.8	84	426.4	411.5	203.2	-	1	30846-771
9	395.1	84	426.4	411.5	203.2	-	1	30846-859

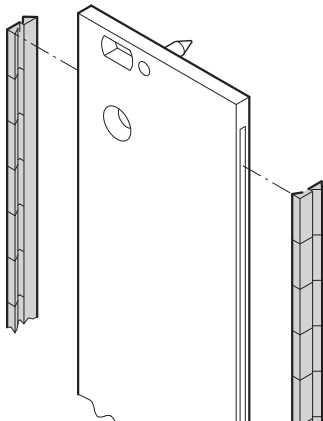
Delivery is exclusively made in Standard Pack Quantity (SPQ): Please order at least 5 pieces or a multiple.
Pricing is per individual item.

NOTE

- Please order fixing material (sleeves, collar screws) separately, see page 7.107
- Please order stainless steel EMC gasket separately, see page 7.6

Modules – Front panels

STAINLESS STEEL EMC GASKET



- The stainless steel EMC gaskets are inserted into the lateral slots of the shieldable front panels (2 pieces per front panel)
- Temperature range -200... +160 °C

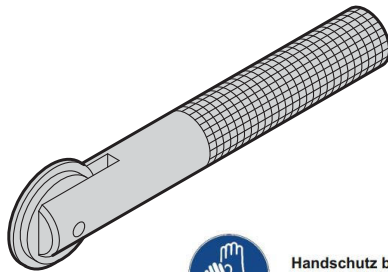
DELIVERY COMPRISES

Item	Qty	Description
1	10/100	EMC gasket (stainless steel)

ORDER INFORMATION

Height U	Height mm	Qty/PU	Part no.
2	52	10	21101-775
3	97	10	21101-705
3	97	100	21101-706
4	142	10	21101-713
4	142	100	21101-714
5	187	10	21101-777
5	187	100	21101-778
6	232	10	21101-707
6	232	100	21101-708
9	367	10	21101-709
9	367	100	21101-710
Assembly tool for EMC gasket (stainless steel), 1 piece			24560-270

Montagewerkzeug

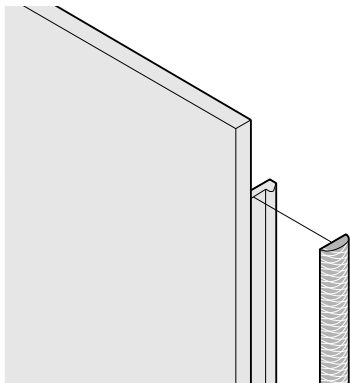


Handschutz benutzen!
Use Hand Protection!
Utilisez une protection des mains!

NOTE

- Please order assembly tool separately

TEXTILE EMC GASKET, TEMPERATURRANGE -40 ... +70°C



- Textile EMC gasket is glued laterally on the front panel, in the groove of the right-hand profile
- Temperature range -40... +70 °C

DELIVERY INCLUDES

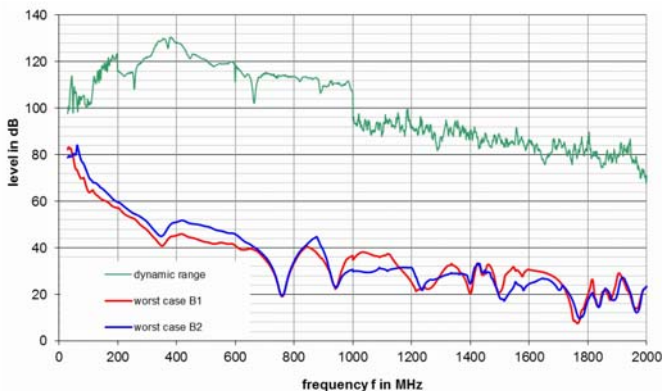
Item	Qty	Description
1	see Order Information	EMC textile gasket, core: TPE foam (-40... +70 °C), sleeve: textile cladding with CuNi coating

ORDER INFORMATION

Height U	Height mm	Qty/PU piece	Part no. Temperature range -40... +70 °C
2	52	10	21101-857
3	97	10	21101-853
3	97	100	21101-854
4	142	10	21101-858
5	187	10	21101-978
6	232	10	21101-855
6	232	100	21101-856
9	365	10	21101-859
9	365	100	21101-904

EMC characteristic (typical, green)

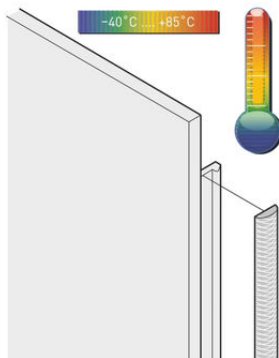
B1 (red): -40 ... -70 °C, B2 (blue): -40 ... -85 °C



04614052

Modules – Front panels

TEXTILE EMC GASKET, TEMPERATURRANGE -40 ... +85°C



- Textile EMC gasket is glued laterally on the front panel, in the groove of the right-hand profile
- Temperature range -40... +85 °C

DELIVERY INCLUDES

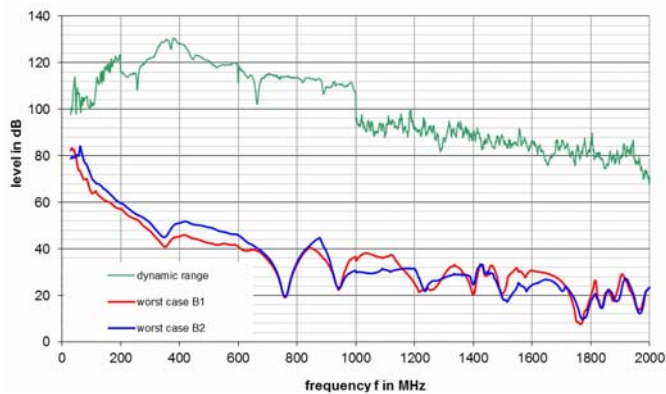
Item	Qty	Description
1	see Order Information	EMC textile gasket, Core: silicon with hollow chamber (-40... +85 °C), sleeve: textile cladding with CuNi coating

ORDER INFORMATION

Height U	Height mm	Qty/PU piece	Part no. Temperature range -40... +85 °C
2	52	10	21102-857
3	97	10	21102-853
3	97	100	21102-854
4	142	10	21102-858
5	187	10	21102-978
6	232	10	21102-855
6	232	100	21102-856
9	365	10	21102-859
9	365	100	–

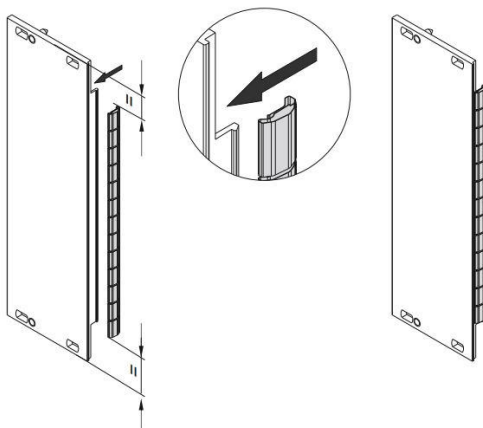
EMC characteristic (typical, green)

B1 (red): -40 ... -70 °C, B2 (blue): -40 ... -85 °C



04614052

STAINLESS STEEL EMC GASKET FOR U-SHAPED FRONT PANEL



- The stainless steel EMC-gasket for SCHROFF U-shaped front panels, offers excellent performance in shielding effectiveness and an enormous temperature range from -200 to +160°C.
- Easy mounting by clipping the gasket onto the right front panel bracket

NEW

DELIVERY COMPRISES

Item	Qty	Description
1	10/100	EMC gasket (stainless steel)

ORDER INFORMATION

Height U	Height mm	Qty/PU piece	Part no.
2	52	10	21102-115
3	97	10	21102-105
3	97	100	21102-106
4	142	10	21102-113
5	187	10	21102-117
6	232	10	21102-107
6	232	100	21102-108
9	367	10	21102-109



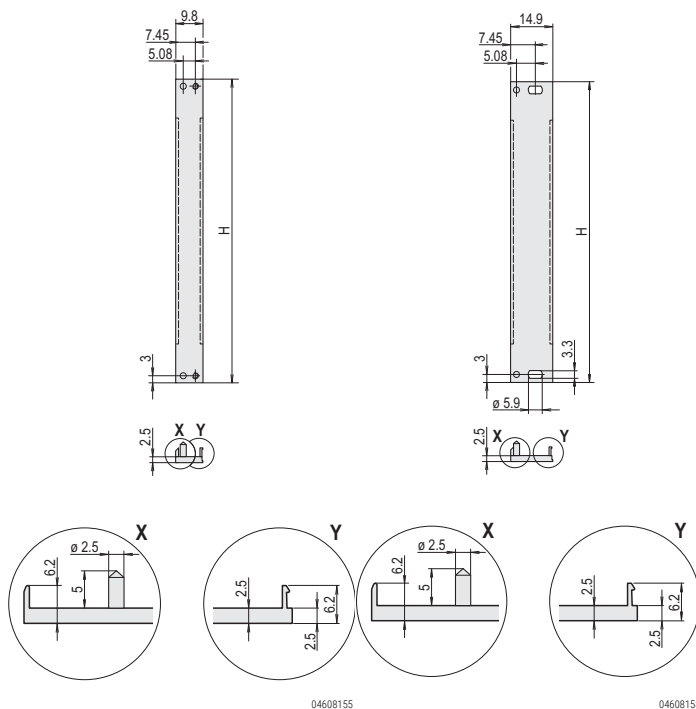
Handschutz benutzen!
Use Hand Protection!
Utilisez une protection des mains!

Modules – Front panels

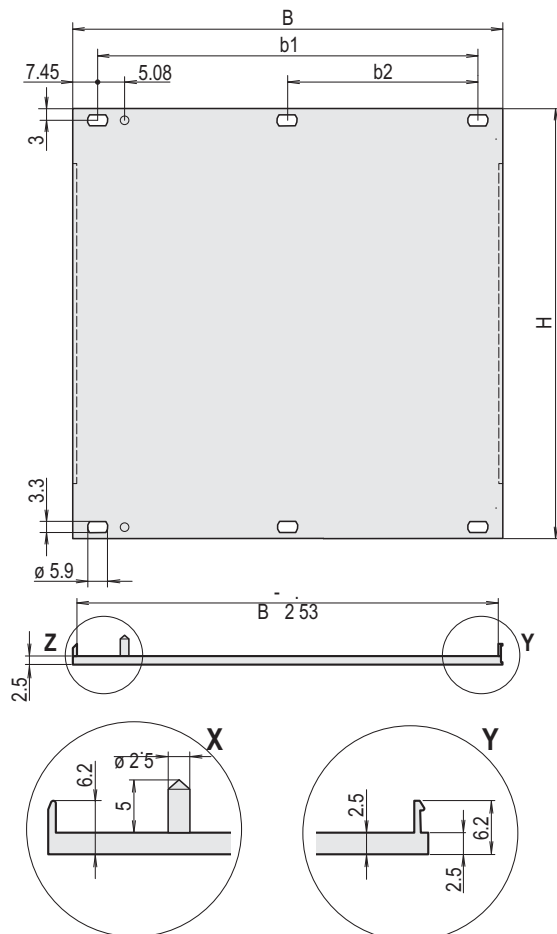
FRONT PANELS, U PROFILE, SHIELDABLE

2 HP

3 U



> 3 HP



- High stability through U profile
- Front panel, U profile, Al, front anodised, rear conductive, 2 alignment pins pressed-in, stainless steel
- Differences in the finish between 2 ... 12 HP and 14 ... 84 HP

ORDER INFORMATION

Height H	Width	B	b1	b2	Alignment	Qty	Part no.	
U	mm	HP	mm	mm	Pin			
2	84	28	141.9	127	-	x	1 (SPQ 5)1	20848-206
2	84	42	213	198.1	101.6	x	1	20848-260
2	84	63	319.7	304.8	157.5	x	1	20848-261
2	84	84	426.4	411.5	203.2	-	1	20848-262
3	128.4	2	9.8	-	-	x	1 (SPQ 5)1	30849-001
3	128.4	3	14.9	-	-	x	1 (SPQ 5)1	30849-004
3	128.4	4	20	-	-	x	1 (SPQ 5)1	30848-354
3	128.4	5	25	-	-	x	1 (SPQ 5)1	30848-378
3	128.4	6	30.1	-	-	x	1 (SPQ 5)1	30848-380
3	128.4	7	35.2	-	-	x	1 (SPQ 5)1	30848-382
3	128.4	8	40.3	25.4	-	x	1 (SPQ 5)1	30848-356
3	128.4	9	45.4	30.5	-	x	1 (SPQ 5)1	30848-384
3	128.4	10	50.5	35.6	-	x	1 (SPQ 5)1	30848-386
3	128.4	12	60.6	45.7	-	x	1 (SPQ 5)1	30848-358
3	128.4	14	70.8	55.9	-	x	1 (SPQ 5)1	20848-013
3	128.4	16	80.9	66	-	x	1 (SPQ 5)1	20848-015
3	128.4	21	106.3	91.4	-	x	1 (SPQ 5)1	20848-020
3	128.4	28	141.9	127	-	x	1 (SPQ 5)1	20848-027
3	128.4	42	213	198.1	101.6	x	1	20848-047
3	128.4	63	319.7	304.8	157.5	x	1	20848-068
3	128.4	84	426.4	411.5	203.2	-	1	20848-097
4	172.9	28	141.9	127	-	x	1 (SPQ 5)1	20848-268
4	172.9	42	213	198.1	101.6	x	1	20848-269
4	172.9	63	319.7	304.8	157.5	x	1	20848-270
4	172.9	84	426.4	411.5	203.2	-	1	20848-271
5	217.4	28	141.9	127	-	x	1 (SPQ 5)1	20848-647
5	217.4	42	213	198.1	101.6	x	1	20848-648
5	217.4	63	319.7	304.8	157.5	x	1	20848-649
5	217.4	84	426.4	411.5	203.2	-	1	20848-650
6	261.8	2	9.8	-	-	x	1 (SPQ 5)1	30849-002
6	261.8	4	20	-	-	x	1 (SPQ 5)1	30848-355
6	261.8	5	25	-	-	x	1 (SPQ 5)1	30848-379
6	261.8	6	30.1	-	-	x	1 (SPQ 5)1	30848-381
6	261.8	7	35.2	-	-	x	1 (SPQ 5)1	30848-383
6	261.8	8	40.3	25.4	-	x	1 (SPQ 5)1	30848-357
6	261.8	9	45.4	30.5	-	x	1 (SPQ 5)1	30848-385
6	261.8	10	50.5	35.6	-	x	1 (SPQ 5)1	30848-387
6	261.8	12	60.6	45.7	-	x	1 (SPQ 5)1	30848-359
6	261.8	14	70.8	55.9	-	x	1 (SPQ 5)1	20848-106
6	261.8	16	80.9	66	-	x	1 (SPQ 5)1	20848-108
6	261.8	21	106.3	91.4	-	x	1 (SPQ 5)1	20848-113
6	261.8	28	141.9	127	-	x	1 (SPQ 5)1	20848-120
6	261.8	42	213	198.1	101.6	x	1	20848-139
6	261.8	63	319.7	304.8	157.5	x	1	20848-160
6	261.8	84	426.4	411.5	208.3	-	1	20848-189
9	395.1	84	426.4	411.5	203.2	-	1	20848-280

1) Delivery is exclusively made in Standard Pack Quantity (SPQ): Please order at least 5 pieces or a multiple. Pricing is per individual item.

NOTE

- 2 ... 12 HP: one-part U-profile
- 14 ... 84 HP: multi-part U-profile (front panel with crimped profile)
- Please order fixing material (sleeves, collar screws) separately, see page 7.107
- Please order textile EMC gasket separately, see page 7.6

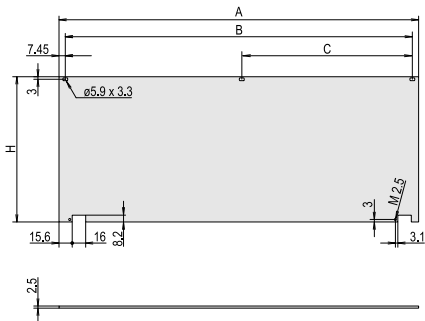
Modules – Front panels

FRONT PANELS, BOTTOM-HINGED

Image displays unshielded version 3U, 84HP



Unshielded

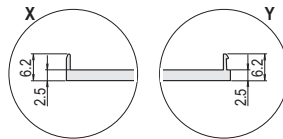
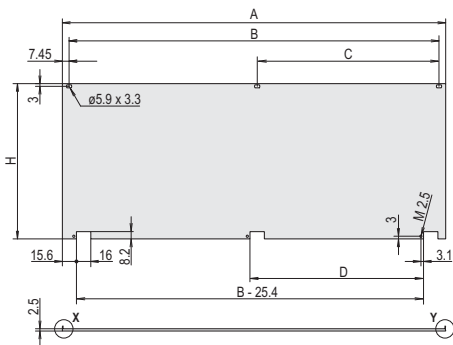


04602080

Image displays shielded version 3U, 84HP



Shielded



04602079

DIMENSIONS

Dimensions							Shielded
Height	Width	A	B	C	D	H	Part no.
U	HP	mm	mm	mm	mm	mm	
3	28	141.9	127.0	-	-	128.4	20848-608
3	42	213.0	198.1	101.6	86.4	128.4	20848-599
3	63	319.7	304.8	157.5	137.2	128.4	20848-600
3	84	426.4	411.5	203.2	193.0	128.4	20848-601
4	42	213.0	198.1	101.6	86.4	172.9	20848-605
4	63	319.7	304.8	157.5	137.2	172.9	20848-606
4	84	426.4	411.5	203.2	193.0	172.9	20848-607
6	28	141.9	127.0	-	-	261.8	20848-696
6	42	213.0	198.1	101.6	86.4	261.8	20848-602
6	63	319.7	304.8	157.5	137.2	261.8	20848-603
6	84	426.4	411.5	203.2	193.0	261.8	20848-604

- Suitable for subracks (europacPRO) and cases (ratiopacPRO, propacPRO, compacPRO)
- Front panel can be unhinged at 135° (not ratiopacPRO) opening angle
- The useable width is not restricted
- Mounts on the horizontal rails
- 2 versions:
 - unshielded
 - shielded, U front panel with textile EMC gasket

DELIVERY COMPRISES (kit)

Item	Qty		Description
	Unshielded	Shielded	
1	1	-	Front panel, hinged, Al, 2.5 mm, anodised, cut edges plain
1a	-	1	Front panel, U profile, hinged, Al, 2.5 mm, front anodised, rear iridescent green chromated
2	2	2 (28 HP) / 3	Hinge, Zn die-cast, nickel-plated
3	2 / 3 (84 HP)	2 (28 HP) / 3	Sleeve, PA
4	2 / 3 (84 HP)	2 (28 HP) / 3	Collar screw M2.5 x 12.3, nickel-plated
5	-	1	EMC textile gasket, core: foam, sleeve: textile cladding with CuNi coating
6	1	1	Assembly kit

ORDER INFORMATION

Dimensions			
Height	Width	Unshielded	Shielded
U	HP	Part no.	Part no.
3	28	20838-280	20848-608
3	42	20838-271	20848-599
3	63	20838-272	20848-600
3	84	20838-273	20848-601
4	42	20838-277	20848-605
4	63	20838-278	20848-606
4	84	20838-279	20848-607
6	28	-	20848-696
6	42	20838-274	20848-602
6	63	20838-275	20848-603
6	84	20838-276	20848-604

Modules – Front panels

FRONT PANEL, HINGED, SHIELDED

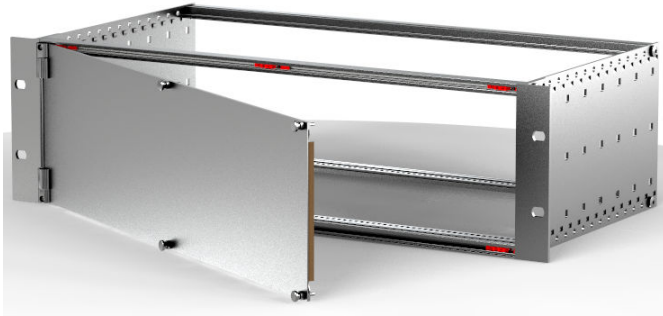


Image displays shielded version 3U, 84HP

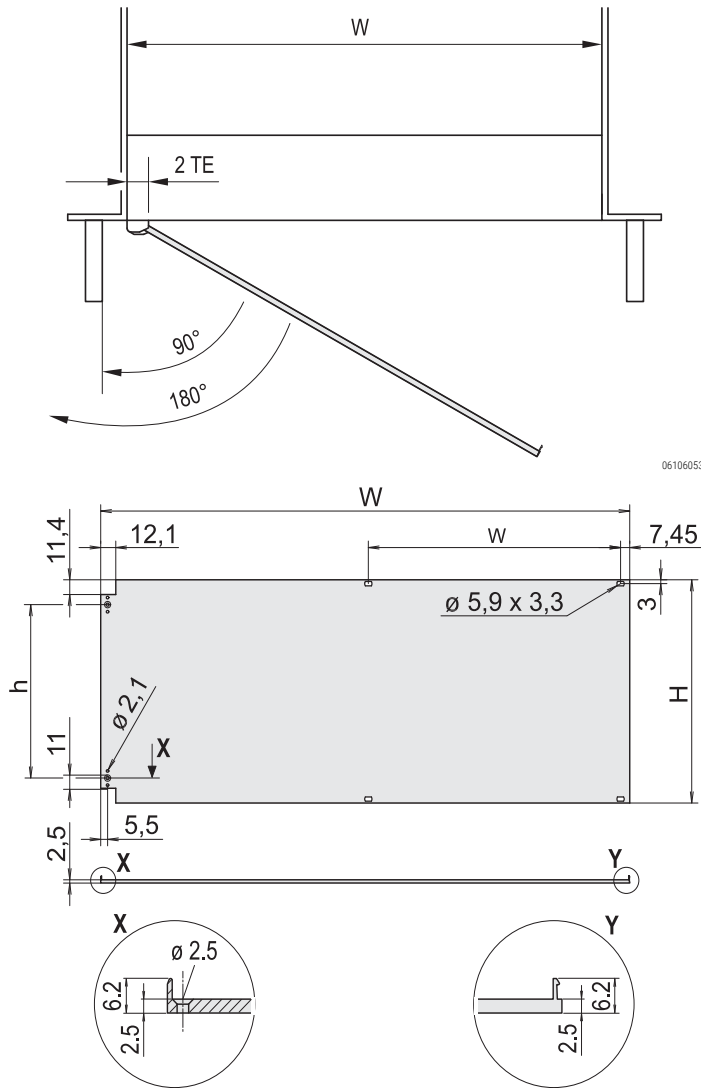
- Suitable for subracks (europacPRO) and cases (ratiopacPRO, propacPRO, compacPRO)
- Mounts on horizontal rails
- Front panel with textile EMC gasket
- Hinges can be fitted on left or right

DELIVERY COMPRISES (kit)

Item	Qty	Description
1	1	Front panel, hinged, Al, 2.5 mm, front anodised, rear iridescent green chromated
2	2	Hinge, Zn die-cast, chrome-plated
3	1	Textile EMC gasket, core: foam, sleeve: textile cladding with CuNi coating
4	1	Assembly kit

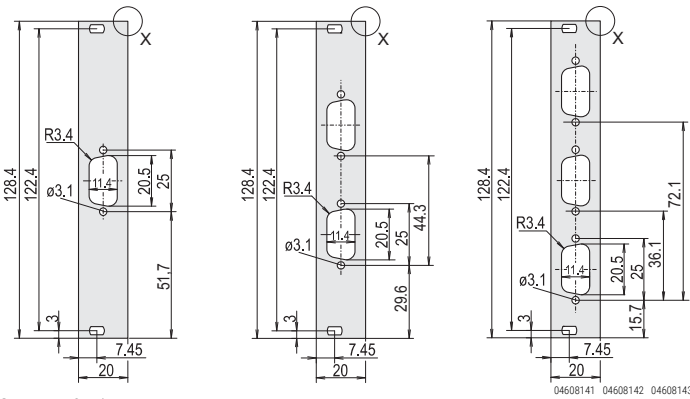
ORDER INFORMATION

Height	H	h	W	w	Part no.
U	mm	mm	mm	mm	
3	128.4	89.9	426.4	203.2	20848-611
6	261.8	223.2	426.4	203.2	20848-617

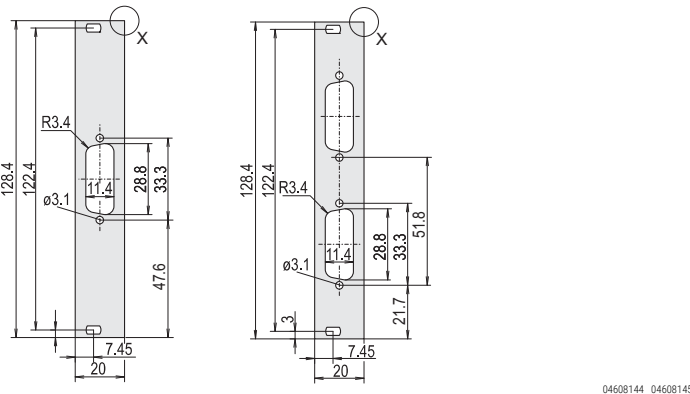


Modules – Front panels

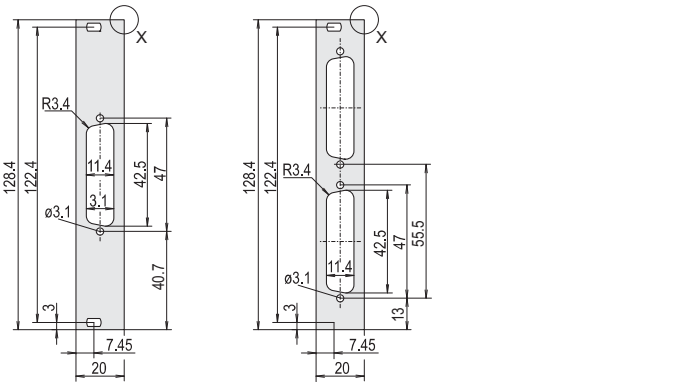
FRONT PANELS FOR D-SUB CONNECTORS



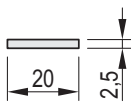
Cut-out 9-pin



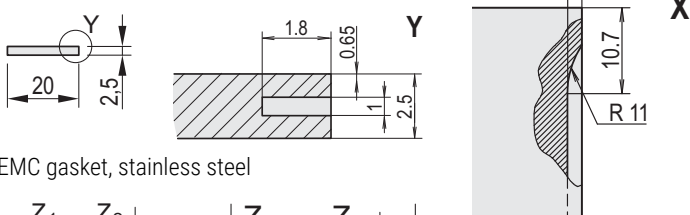
Cut-out 15-pin



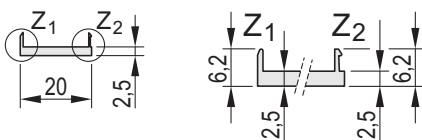
Cut-out 25-pin



Unshielded



EMC gasket, stainless steel



For textile EMC gasket

- 3 U/4 HP
- Aluminium, front anodised, rear iridescent green chromated
- Shielding through: stainless steel EMC or textile EMC gasket (please order separately)

DELIVERY COMPRISES

Item	Description
1a	Front panel, Al, 2.5 mm, front anodised, rear iridescent green chromated
1b	Front panel, Al, 2.5 mm, front anodised, rear iridescent green chromated; for EMC stainless steel gasket
1c	Front panel, U profile, Al, 2.5 mm, front anodised, rear conductive; for EMC gasket (textile)

ORDER INFORMATION

Cut-out	Qty	Unshielded	For EMC gasket	
		Part no.	Stainless steel Part no.	Textile Part no.
		1a	1b	1c
1 × 9-polig	1 piece (SPQ 5)	30118-341	30118-348	30849-749
2 × 9-polig	1 piece (SPQ 5)	30118-344	30118-351	30849-750
3 × 9-polig	1 piece (SPQ 5)	30118-347	30118-354	30849-751
1 × 15-polig	1 piece (SPQ 5)	30118-342	30118-349	30849-752
2 × 15-polig	1 piece (SPQ 5)	30118-345	30118-352	30849-753
1 × 25-polig	1 piece (SPQ 5)	30118-343	30118-350	30849-754
2 × 25-polig	1 piece (SPQ 5)	30118-346	30118-353	30849-755

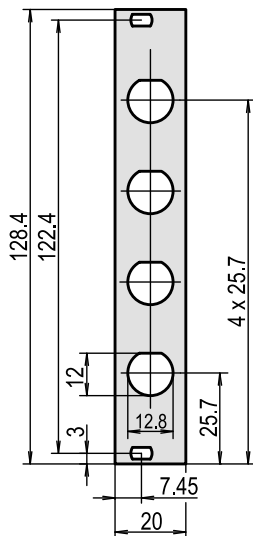
Delivery is exclusively made in Standard Pack Quantity (SPQ): Please order at least 5 pieces or a multiple. Pricing is per individual item.

NOTE

- Please order fixing material (sleeves, collar screws) separately, see page 7.107
- Please order stainless steel EMC gasket separately, see page 7.6
- Please order textile EMC gasket separately, see page 7.6

Modules – Front panels

FRONT PANELS FOR COAX CONNECTORS



04602057

- 3 U/4 HP
- Aluminium, 2.5 mm, front anodised, rear iridescent green chromated

ORDER INFORMATION

Description	Qty/PU	Part no.
Cut-out 4 x Coax, unshielded	1	30118-355

NOTE

- Please order fixing material (sleeves, collar screws) separately, see page 7.107

FRONT PANELS 3 U WITH GND/EARTHING CONNECTION



02998001

- Earthed front panel (protection class 1)

DELIVERY COMPRISES (items 1 – 3 assembled)

Item	Qty	Description
1	1	Front panel 3 U, Al, 2.5 mm, front anodised, rear iridescent green chromated with GND/earthing connection
2	4	Plastic sleeve, PA, grey
3	4	Collar screws, M2.5 x 11 and 12.3 Pozidrive, St, nickel-plated
4	1	GND/earthing kit, length of GND/earthing cable 320 mm

ORDER INFORMATION

Height U	Width HP	Qty	Part no.
3	7	1 piece (SPQ 5)	20119-159
3	14	1 piece (SPQ 5)	20119-160
3	21	1 piece (SPQ 5)	20119-161
3	28	1 piece (SPQ 5)	20119-162
3	42	1	20119-163

Delivery is exclusively made in Standard Pack Quantity (SPQ): Please order at least 5 pieces or a multiple.
Pricing is per individual item.

NOTE

- Please order fixing material (sleeves, collar screws) separately, see page 7.107

North America

Warwick, RI, USA

Tel +1.401.738.1722

San Diego, CA, USA

Tel +1.858.740.2400

Europe, Middle East & India

Straubenhardt, Germany

Tel +49 7082 794 0

Betschdorf, France

Tel +33 3 88 90 64 90

Warsaw, Poland

Tel +48 22 209 98 35

Hemel Hempstead,

Great Britain

Tel +44 1442 24 04 71

Lainate, Italy

Tel +39 02 932 714 1

Dubai, United Arab Emirates

Tel +971 4 82 38 666

Bangalore, India

Tel +91 80 6715 8900

Istanbul, Turkey

Tel +90 541 368 0941

Asia Pacific

Shanghai, China

Tel +86 21 2412 6943

Singapore

Tel +65 6768 5800

Shin-Yokohama, Japan

Tel +81 45 476 0271

Our powerful portfolio of brands:

CADDY ERICO HOFFMAN RAYCHEM SCHROFF TRACER



[nVent.com/SCHROFF](https://www.nVent.com/SCHROFF)