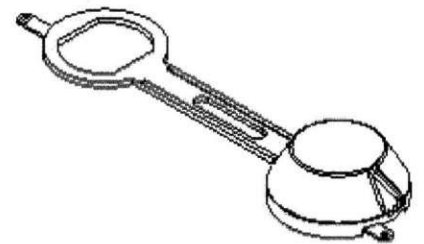
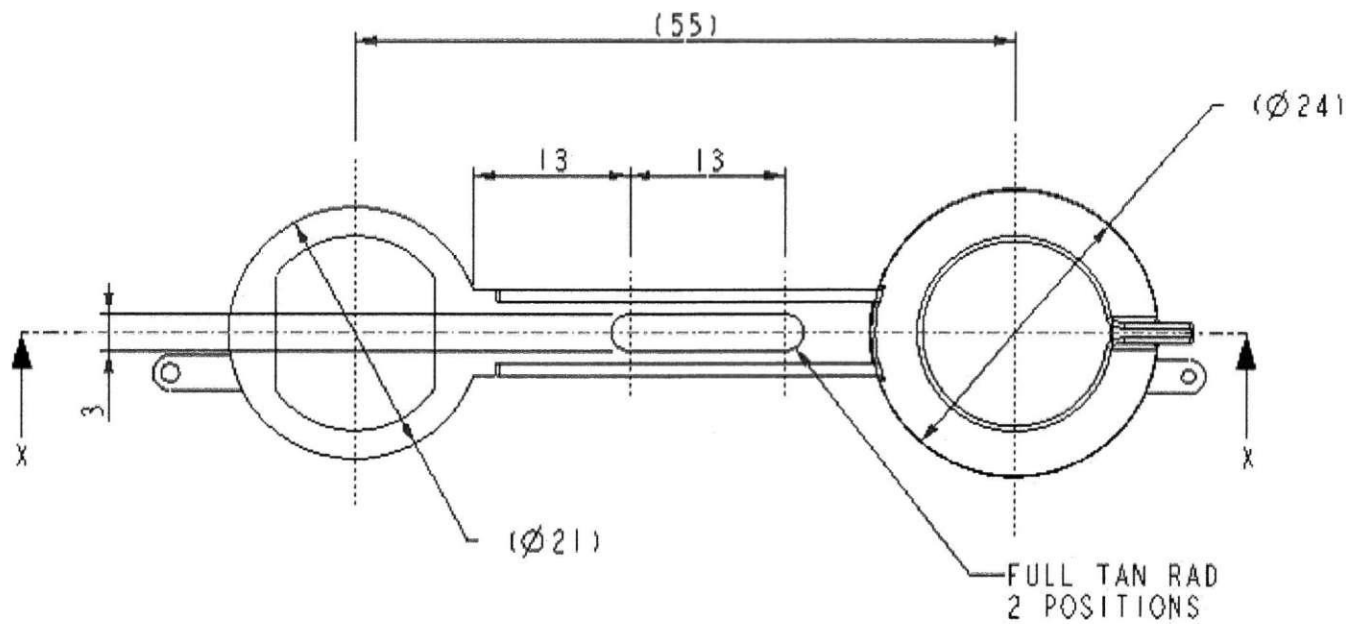
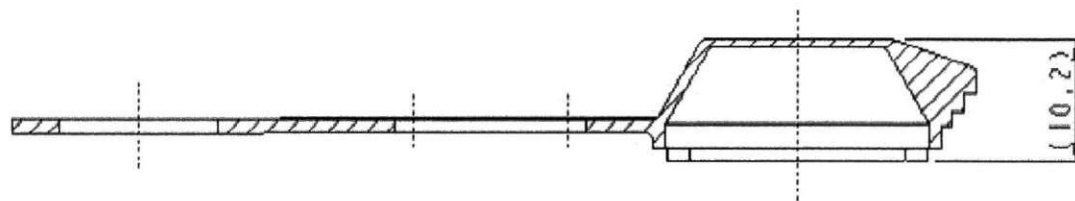


THIRD ANGLE PROJECTION



ISOMETRIC VIEW
ACTUAL SIZE



SECTION X-X

| | | | | | | | | | | | |
|---------------------|----------|-------|-------|-------|-------|------|------|--|----------------------------------|-----------|-------------------|
| DRAWN | S MOSLEY | ISSUE | MOD. | DATE | ISSUE | MOD. | DATE | UNLESS OTHERWISE STATED DIMENSIONS ARE mm TOLERANCES ± 0.2 ANGLES ± 1° | ALL DIMENSIONS APPLY OVER FINISH | SCALE 2:1 | TITLE |
| CHECKED | | 01 | EC213 | 11118 | | | | | MATL. SRL020 | USED ON | DUST CAP, SLOTTED |
| DESIGN APPROVAL | | | | | | | | | FINISH _____ | | |
| PRODUCTION APPROVAL | | | | | | | | | LORLIN ELECTRONICS | | DRG No. SRL027 |