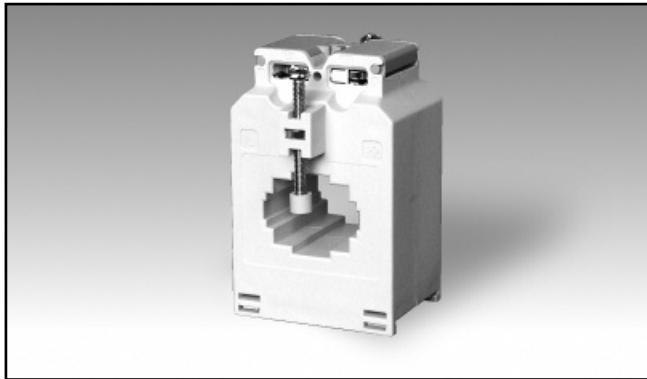


Accessories

AC Current Transformer (max 30x10 mm bus-bar)

Type CTD-2X

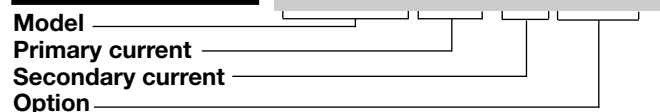


- Bus-bar type current transformer
- 0.5 class, currents from 40 to 600 A
- Integrated DIN-rail mounting holder
- Removable panel fixing clips
- 2 Bus-bar isolated fixing screws
- Double screw terminals (up to 8-wire connections)
- Sealable terminal block covers

Product Description

Cable/Bus-bar type current transformer with DIN-rail/bus-bar and panel mounting facility. Rated primary currents from 40 A to 600 A.

Ordering Key **CTD-2X 200 5A XXX**



Optional fixing kit: **CTD-kit**

Type Selection

Primary current	Secondary current	Option
From 40 to 600A (Refer to Range Table)	1A 5A	XXX: none XTX: tropicalization 2XX: class 0.2S (depending on the primary current)

Input Specifications

Operating frequency	45 to 65 Hz	
Max. system voltage	0.72 kV	
Rated insulation level	3 kV/1 min. @ 50 Hz	
Insulation class	E (max 75°C)	
Short-time current rating I_{th} I_{dyn}	Typical 100 I_n / 1 s 2.5 I_{th} The short-time thermal current I_{th} is anyway limited by the cable/bus-bar size	
Extended current rating	120%	
Security factor (FS)	≤ 5 (Class: 0.5, 1 and 3)	
Special features		cable/bus-bar fixing screws. 1 A secondary current, Class 0.2S Tropicalization
Working temperature		-25°C to +60°C (-13°F to 140°F) (R.H. < 90% non condensing @ 40°C)
Storage temperature		-30°C to +70°C (-22°F to 158°F) (R.H. < 90% non condensing @ 40°C)
Approvals		CE, cUrus and CSA
Connection Cable cross section area		Screw type From 1.5 to 6 mm ² Min/Max screws tightening torque relevant to terminal block screws: From 1 to 2 Nm Max screws tightening torque relevant to the cable/bus-bar fixing screws: 0,3 Nm
Protection degree		IP00 IP20 (with sealable terminal block covers + wire terminals)
Cable diameter		Max. 24 mm
Bus-bar size Horizontal Vertical		Max. 32x5; 30x10; 25x20 mm Max. 25x12 mm
Weight		From 350 to 500 g

General Specifications

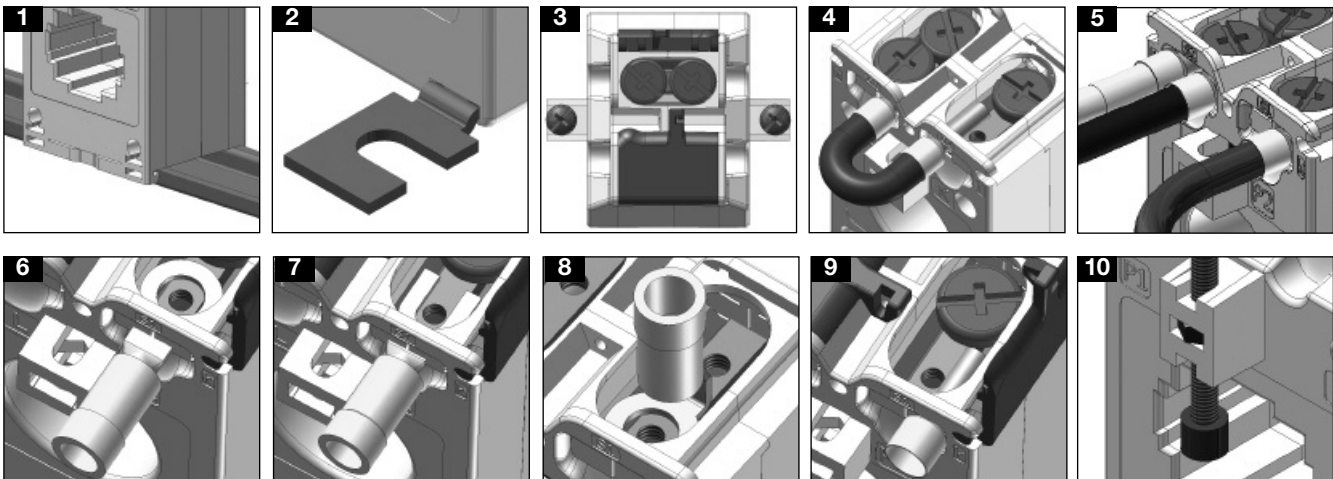
Standards	According to EN60044-1
Housing	ABS, self-extinguishing: UL 94 V-0
Mounting	DIN-rail bus-bar and panel mounting
Standard accessories	Two terminal block screws. Two cable/bus-bar fixing screws. Two sealable terminal block covers. Two panel mounting fixing clips. Two plastic caps for cable/bus-bar fixing screws.
Optional accessories	Extended fixing kit: CTD-kit Two panel mounting fixing clips. Six cable/bus-bar fixing screws. Six plastic caps for
Output Specifications	
Rated secondary current	5 A or 1 A

Range Table

Model CTD-2X from 40A to 125A			
Primary Current	Burden (VA)		
	CL 0.5	CL 1	CL 3
40 (@60°C/140°F)			1.25
50 (@60°C/140°F)			1.5
60 (@60°C/140°F)			2
70 (@60°C/140°F)			2.5
75 (@60°C/140°F)		1.75	2.5
80 (@60°C/140°F)		2	2.75
100 (@60°C/140°F)		2.5	3
120 (@60°C/140°F)		2.75	3.75
125 (@60°C/140°F)	2	2.75	3.75

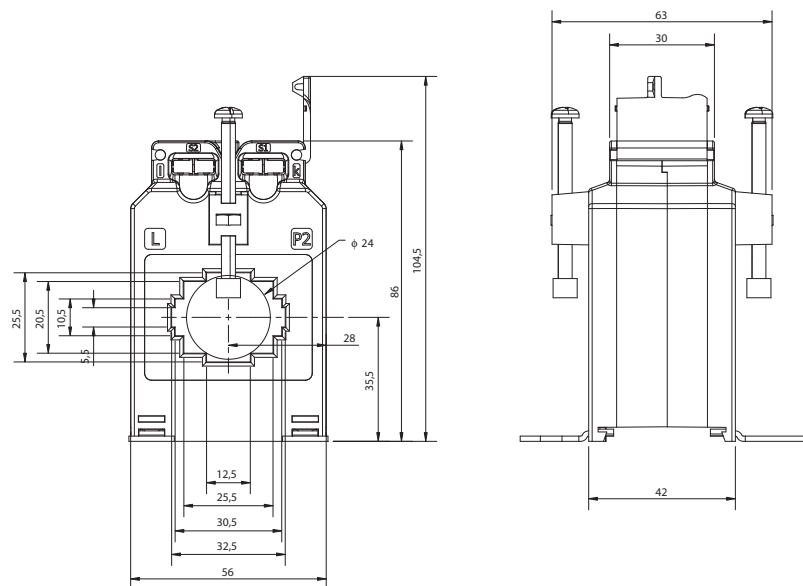
Model CTD-2X from 150A to 600A			
Primary Current	Burden (VA)		
	CL 0.5	CL 1	CL 3
150 (@60°C/140°F)	3	4	5
160 (@60°C/140°F)	3	4	5
200 (@60°C/140°F)	4	5	6.5
250 (@60°C/140°F)	5.5	7	8
300 (@60°C/140°F)	7	8.5	9.5
400 (@50°C/122°F)	12	13.5	14.5
500 (@50°C/122°F)	14	15.5	16.5
600 (@40°C/104°F)	17.5	19	20

Benefits



- Easy and quick mounting either on a panel or on a DIN-rail (see figure 1-2).
- Protection of screw terminals using specific sealable covers to assure always the best safety (see figure 3).
- Bridging of current transformer output without changing the connection of the secondary, so to avoid any output overvoltage during either the maintenance or the installation procedure (see figure 4).
- Easy output and earth connection (see fig. 5).
- Screw terminals compatible with any kind of wire terminals (see figure 6-7-8-9).
- Multiple screws provided with isolation cap screws to grant a strong and reliable fixing of the current transformer to the bus-bar (see figure 10).

Dimensions (mm)



Wiring Diagram

