

1 2 3 4 5 6 7

A

B

C

D

E

F

G

H

A

B

C

D

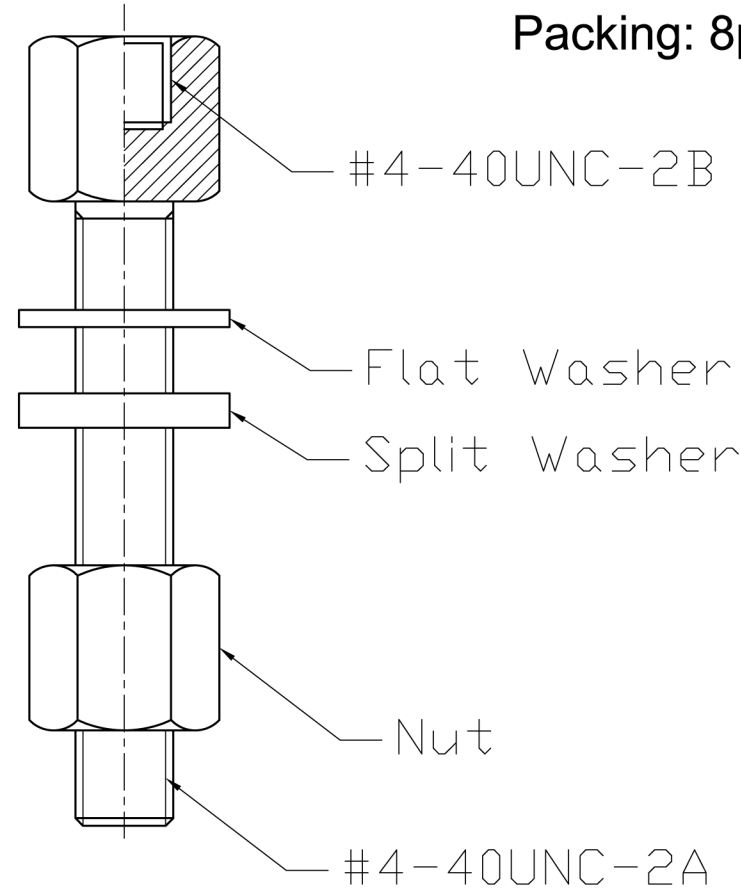
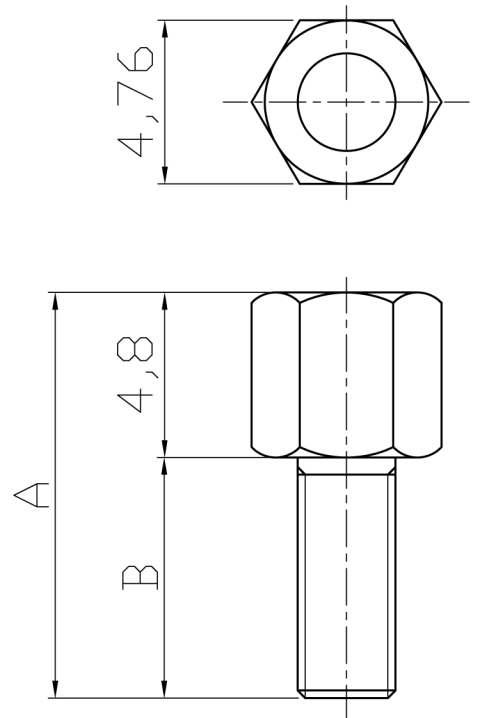
E

F

G

H

Packing: 8pcs/polybag



Dimensions		
A	11.8	12.8
B	7	8

**RoHS compliant**

Scale	1:1	Date	16.12.2008	Name	Dean	Customer-No.	CTB-EP	
TOLERANCE		Drawn	16.12.2008	Approved	05.03.2010	Drawing-No.	rev02	
X.X	±0.38					Replace	Sheet	
X.XX	±0.25							
X.XXX	±X							
DIM	TOL	②	Add packing and modify p/n	05.03.2010	Dean			
X.°	±X°	①	Drawn	16.12.2008	Dean			
X.X°	±X°							
Angle	TOL	Id.	Modification	Date	Name			

1 2 3 4 5 6 7