

ABS Miniature Enclosures

G4117 = Product group; Product group discount G 41 1_

PP41SW

Construction

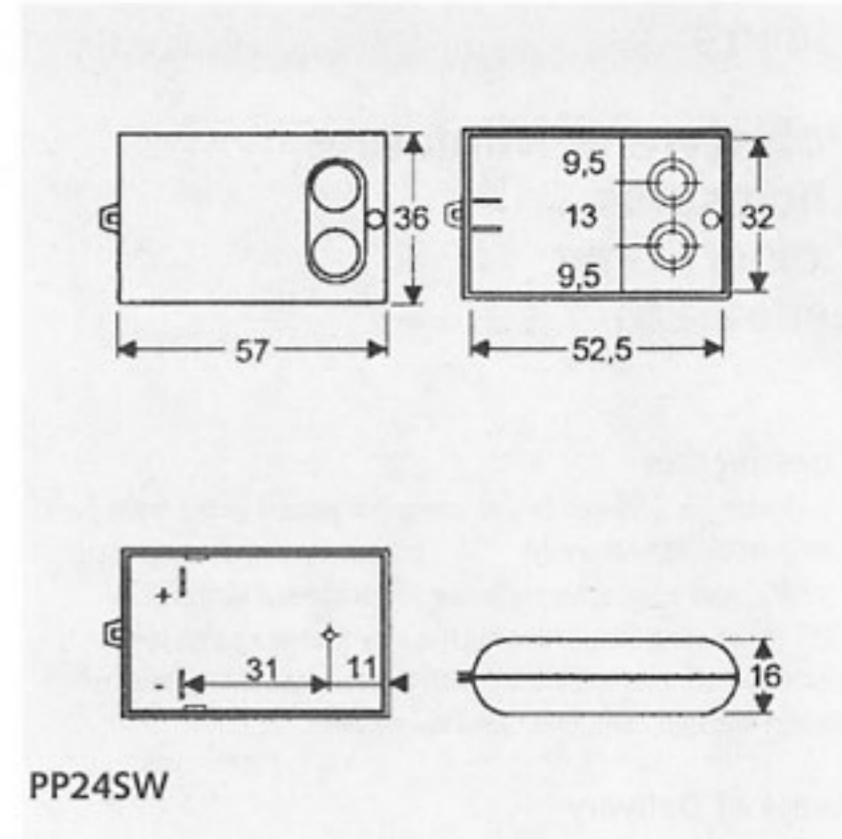
- Black enclosure made of ABS consisting of base and lid
- Four countersunk screws seal the housing all around.
- Four mounting studs for a printed circuit 82x46mm

Dimensions

Outer:100x50x25mm
 Inner:96x46x21mm



PP24SW



PP24SW

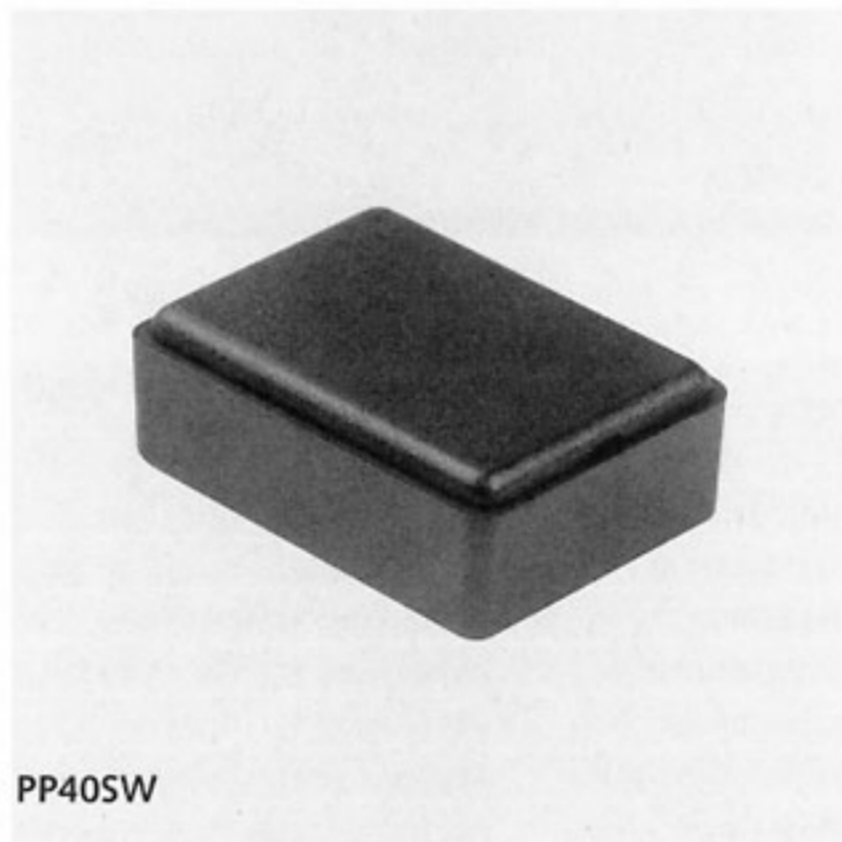
PP42WS

Construction

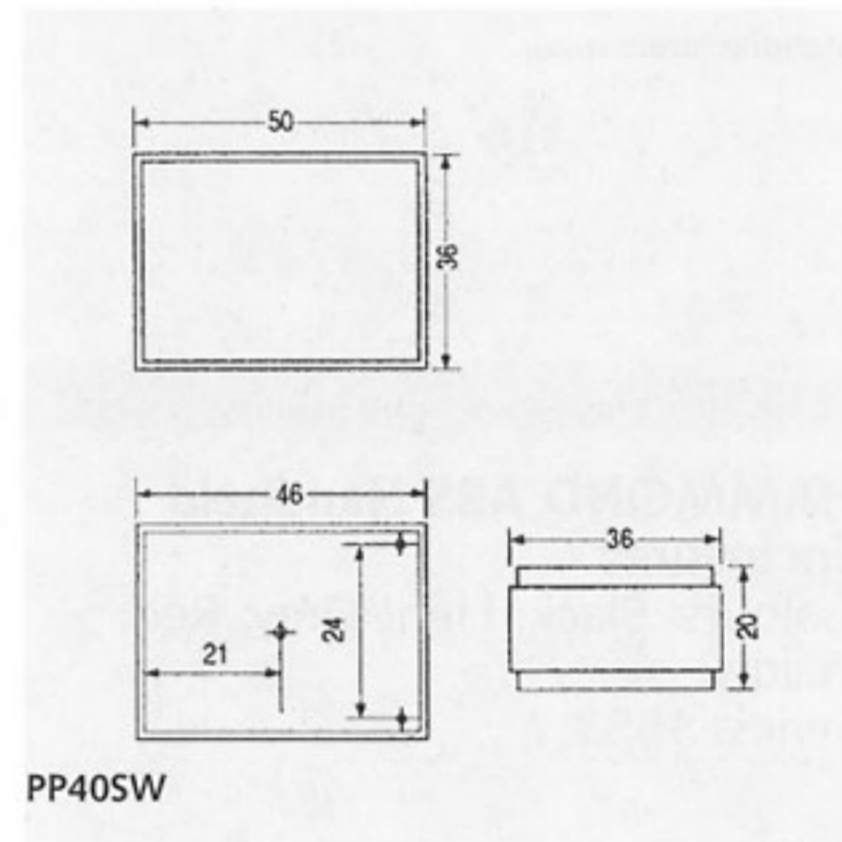
- White sensor enclosure made of ABS
- Large louvered plates on either side
- Fastening points for printed circuit

Dimensions

Outer:71x71x27mm
 Inner:67x67x23mm



PP40SW



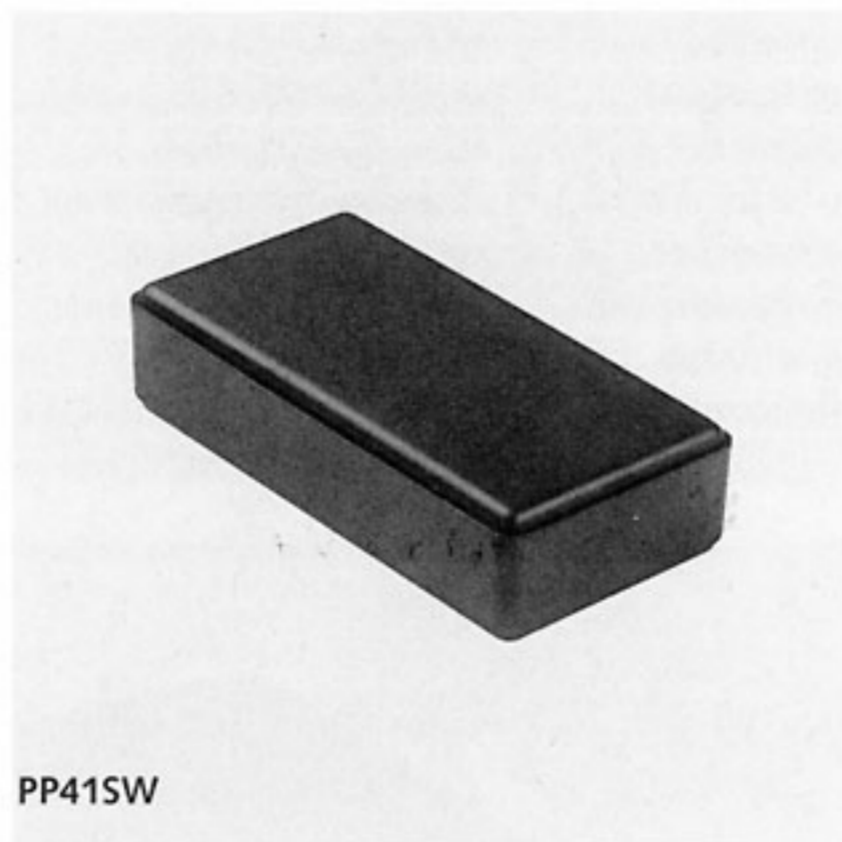
PP40SW

Terms of Delivery

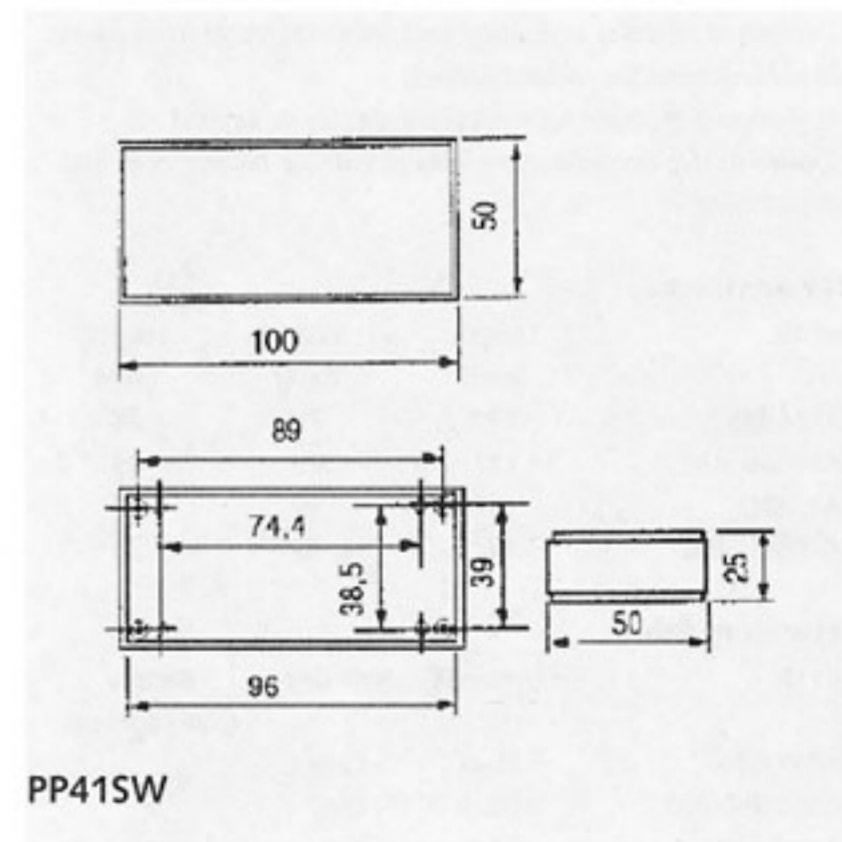
Minimum order quantity: 1 PKU = 5 pieces

Manufacturer: SUPERTRONIC

<http://www.supertronic.com>



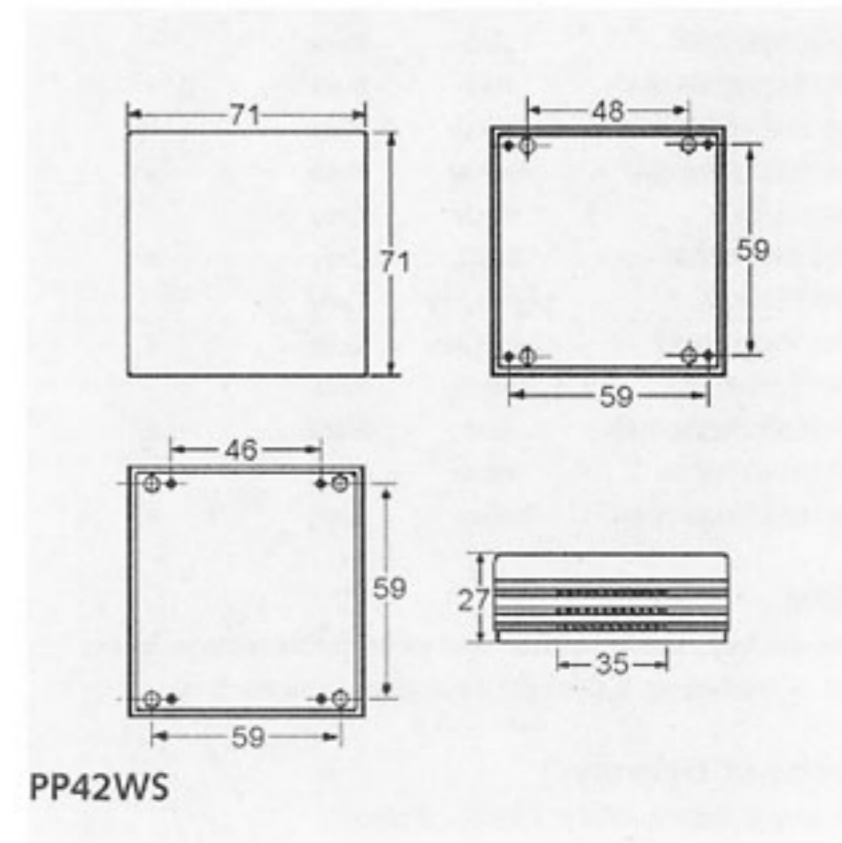
PP41SW



PP41SW



PP42WS



PP42WS