

D-Sub Plugs / D-Sub Sockets

F4662 = Product group; Product group discount F 46 6_

CONEC D-Sub Plugs Solder Cup Contacts: Machined Series: SL_LF

Part Nr.	Part description
SL09LF	D-Sub-Plug 9-Pole Solder Cup
SL15LF	D-Sub-Plug 15-Pole Solder Cup
SL25LF	D-Sub-Plug 25-Pole Solder Cup
SL37LF	D-Sub-Plug 37-Pole Solder Cup
SL50LF	D-Sub-Plug 50-Pole Solder Cup

Dimensions

Part Nr.	Nr. of Poles	A-0,76 [mm]	B-0,25 [mm]	C [mm]	D [mm]
SL09LF	9	31,19	16,79	25,00	6,12
SL15LF	15	39,52	25,12	33,30	6,12
SL25LF	25	53,42	38,84	47,04	5,99
SL37LF	37	69,70	55,30	63,50	5,99
SL50LF	50	67,31	52,68	61,10	5,99

Note

- More technical specifications see introduction text "F4661 to F4666" before product group F4661.
- You will find suitable mounting brackets and assemblies (locking bolts, nut, washer and springwasher) in product group F4793.

Approvals

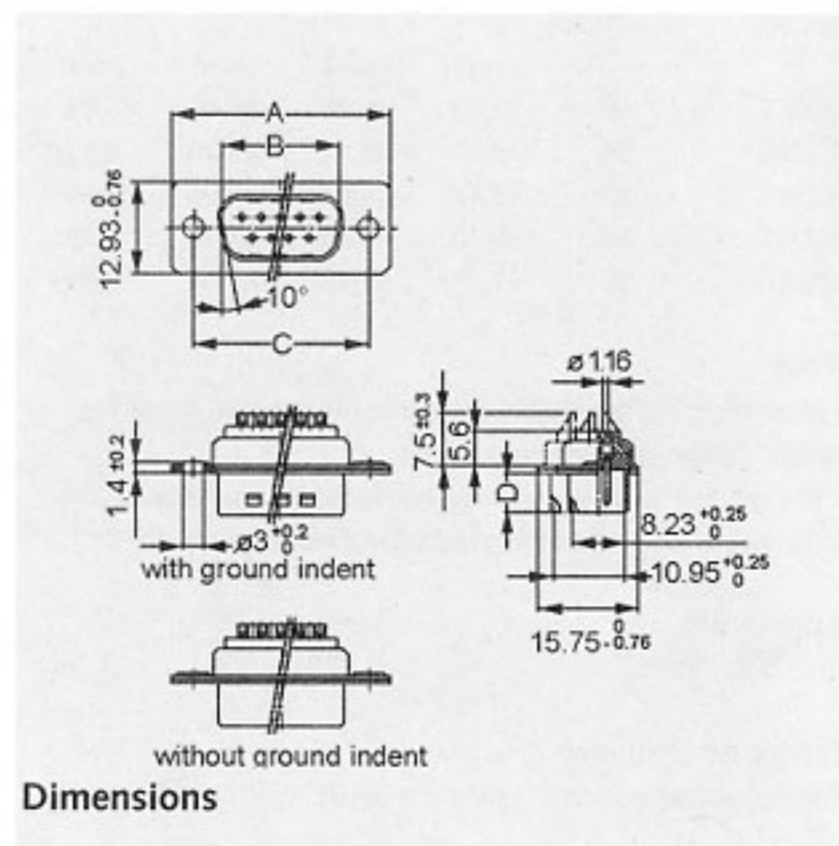
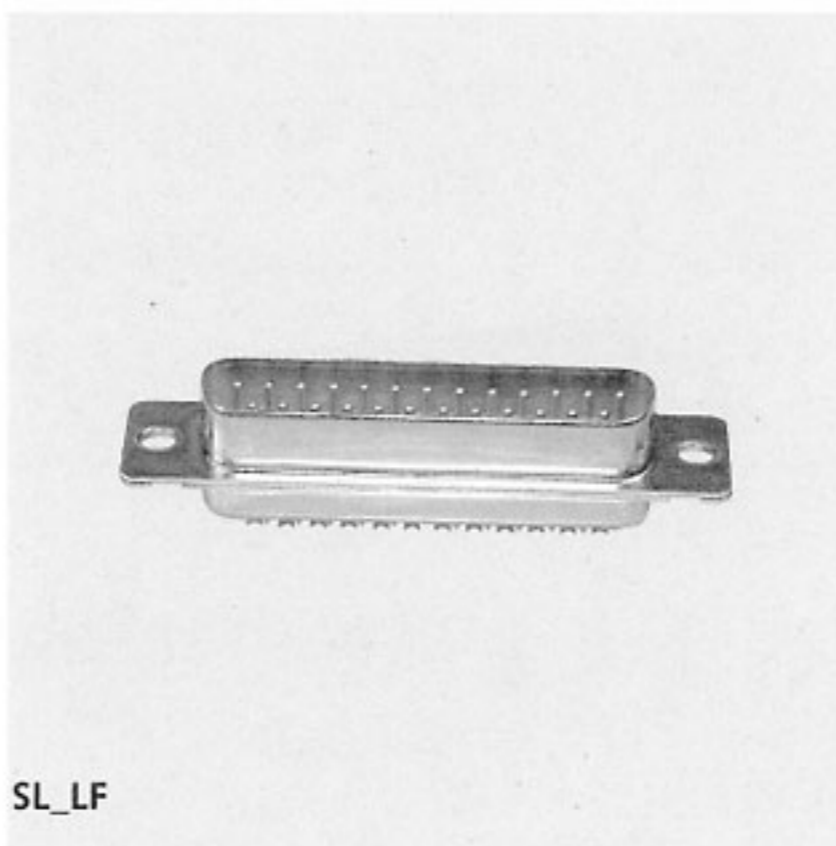


Terms of Delivery

Minimum order quantity: 1 PKU = 5 pieces

Manufacturer: **CONEC**

<http://www.conec.com>



F4663 = Product group; Product group discount F 46 6_

CONEC D-Sub Sockets Solder Pin, Straight Contacts: Machined Series: BL_LG

Part Nr.	Part description
BL09LG	D-Sub-Socket 9-Pole Solder Pin
BL15LG	D-Sub-Socket 15-Pole Solder Pin
BL25LG	D-Sub-Socket 25-Pole Solder Pin
BL37LG	D-Sub-Socket 37-Pole Solder Pin
BL50LG	D-Sub-Socket 50-Pole Solder Pin

Dimensions

Part Nr.	Nr. of Poles	A-0,76 [mm]	B-0,25 [mm]	C [mm]
BL09LG	9	31,19	16,46	25,00
BL15LG	15	39,52	24,79	33,30
BL25LG	25	53,42	38,50	47,04
BL37LG	37	69,70	54,96	63,50
BL50LG	50	67,31	52,55	61,10

Note

- More technical specifications see introduction text "F4661 to F4666" before product group F4661.
- You will find suitable mounting brackets and assemblies (locking bolts, nut, washer and springwasher) in product group F4793.

Approvals



Terms of Delivery

Minimum order quantity: 1 PKU = 5 pieces

Manufacturer: **CONEC**

<http://www.conec.com>

